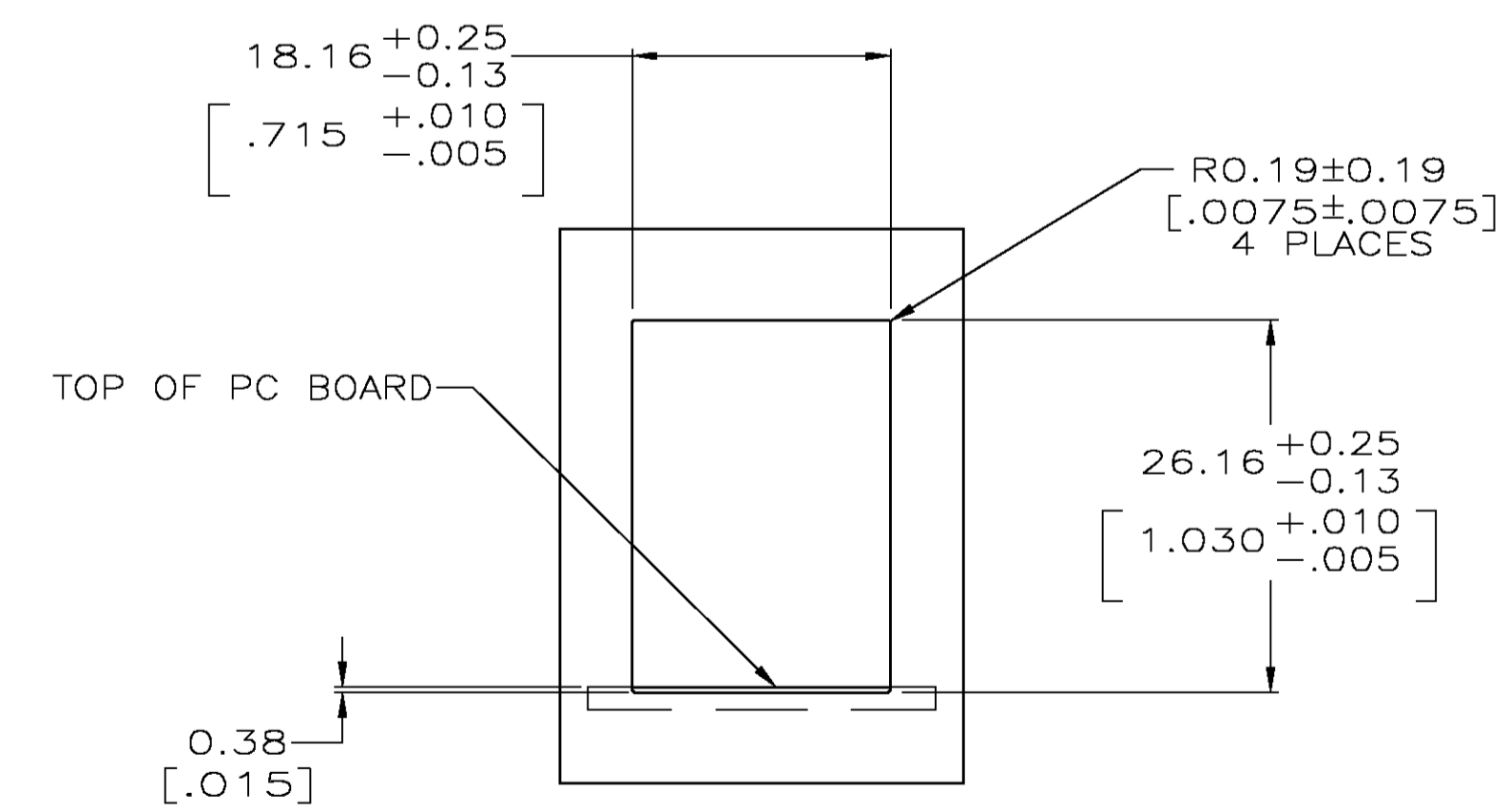
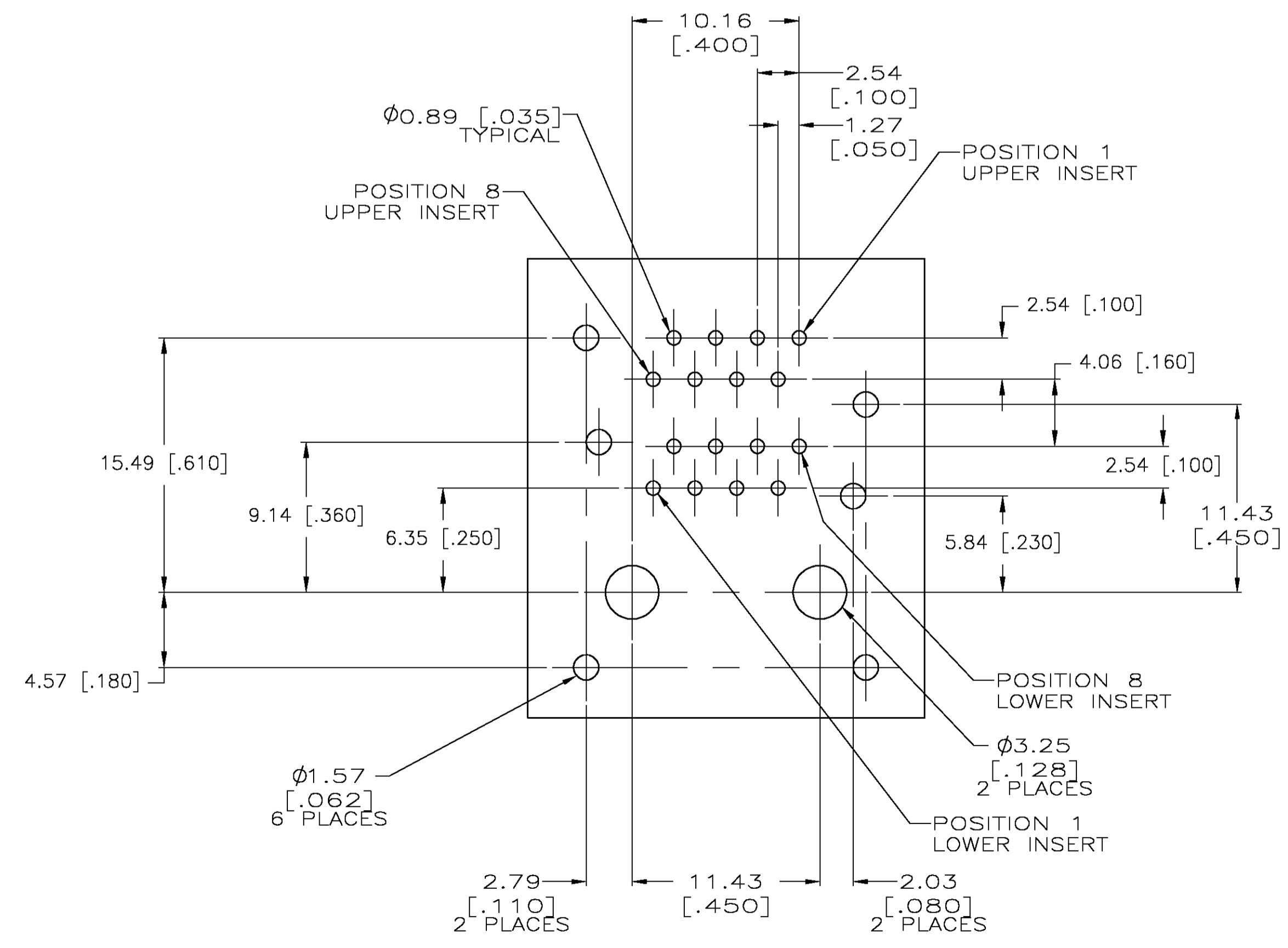
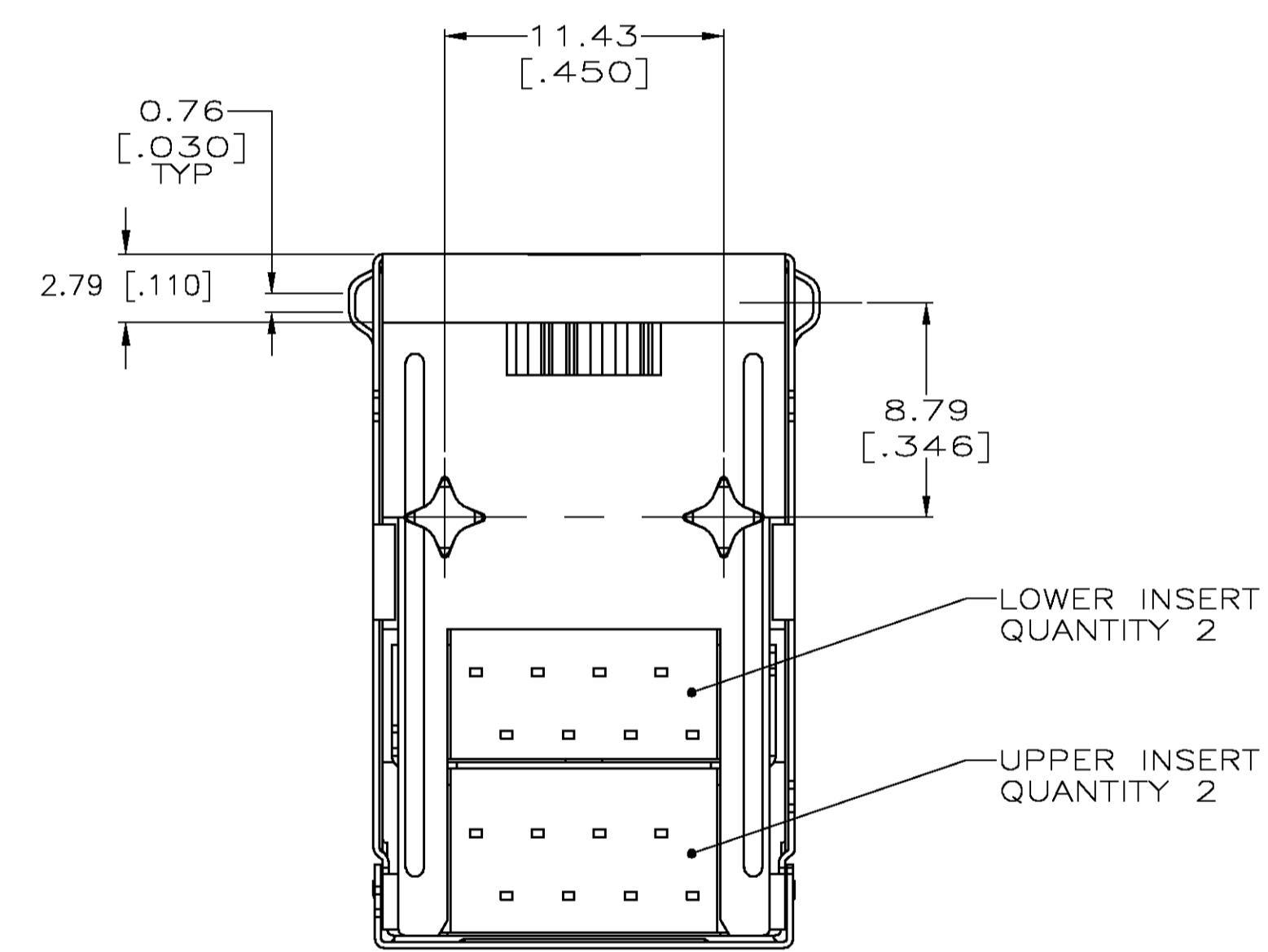
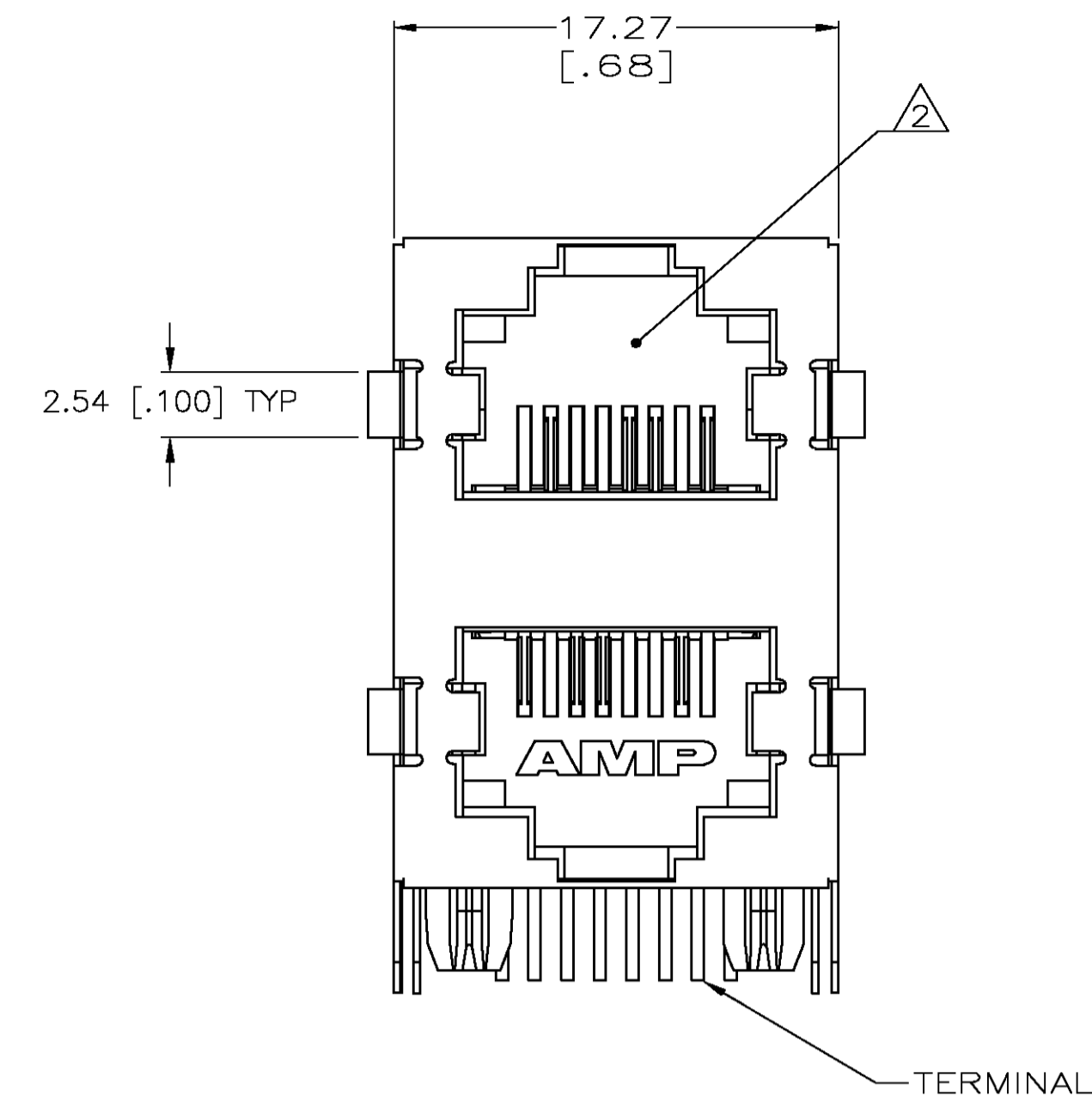
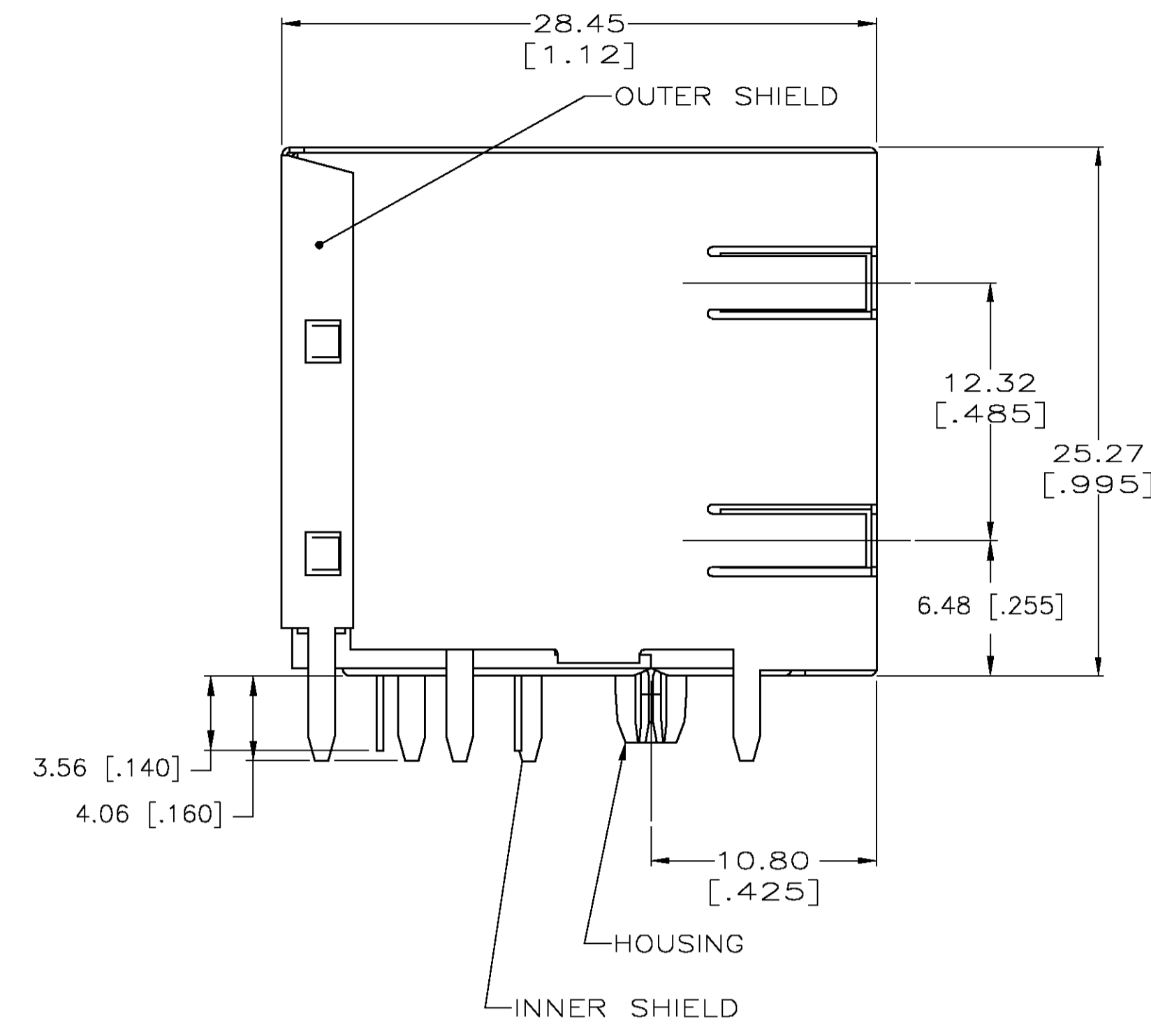
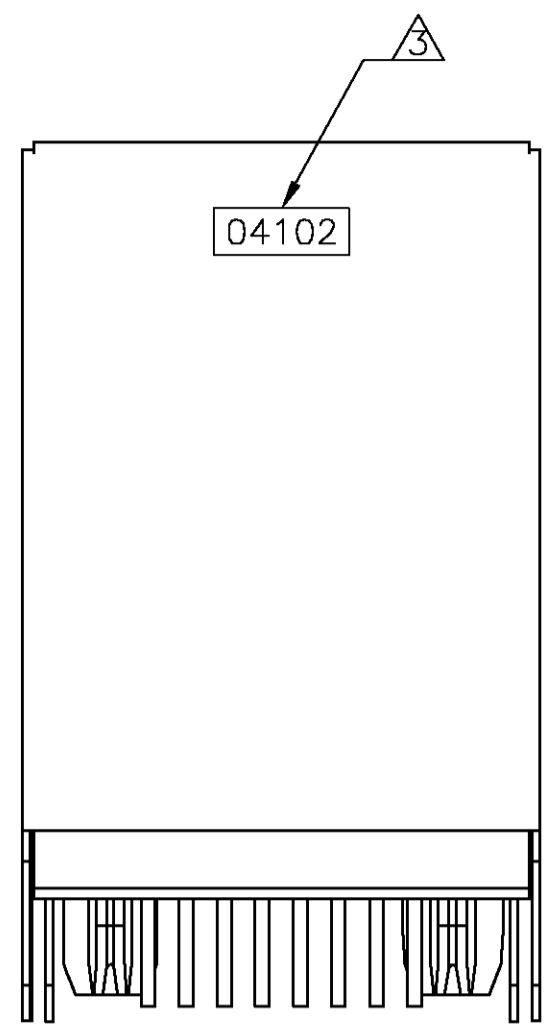


LOC	DIST	REVISIONS			
P	LTR	DESCRIPTION	DATE	OWN	APVD
AA	22	A	ECOS11-0201-04	21MAY2005	LAM SF



SUGGESTED PANEL CUTOUT DIMENSIONS  
 SCALE 2:1

PC BOARD LAYOUT VIEWED FROM COMPONENT SIDE

△ MATERIAL:  
 HOUSING - PCT POLYESTER, BLACK, UL94V-0.  
 OVERMOLDED TERMINAL ARRAY - PBT, BROWN.  
 TERMINALS - 0.33 [.013] THICK PHOS BRONZE  
 PLATED WITH 1.27µm [.000050] MIN THICK  
 HARD GOLD IN LOCALIZED AREA AND 3.81µm  
 [.000150] MIN THICK MATTE TIN IN SOLDER  
 AREA OVER 1.27µm [.000050] MIN THICK  
 NICKEL UNDERPLATE.  
 SHIELD - 0.25 [.010] THICK COPPER ALLOY  
 PLATED WITH 2.03µm [.000080] MIN MATTE TIN  
 OVER 1.27µm [.000050] MIN NICKEL.

△ JACK CAVITY CONFORMS TO FCC RULES AND  
 REGULATIONS, PART 68 SUBPART F.

△ DATE CODE LOCATED ON REAR OF PART  
 APPROXIMATELY AS SHOWN:  
 FIRST 2 DIGITS ARE LAST 2 DIGITS OF YEAR,  
 SECOND 2 DIGITS ARE MANUFACTURING  
 WORK WEEK,  
 LAST DIGIT IS DAY OF WEEK, WITH SUNDAY = 1.

5569381-1  
 PART NUMBER

THIS DRAWING IS A CONTROLLED DOCUMENT.		DWN T. SPRINKLE / A. MAYER 21MAY2005 CHK J. WESTMAN 21MAY2005 APVD S. FLICKINGER 21MAY2005	Tyco Electronics Corporation Harrisburg, Pa 17105-3608
DIMENSIONS: mm [INCHES]	TOLERANCES UNLESS OTHERWISE SPECIFIED: 0 PLC ± - 1 PLC ± - 2 PLC ± 0.25[.01] 3 PLC ± 0.13[.005] 4 PLC ± - ANGLES ± -	NAME PRODUCT SPEC 108-1163-2 APPLICATION SPEC 114-2048	STACKED MODULAR JACK ASSEMBLY, 2x1 PORT, 8 POSITION, SHIELDED, PANEL GROUND, CATEGORY 5
MATERIAL SEE NOTE 1	FINISH SEE NOTE 1	SIZE A1 WEIGHT - CUSTOMER DRAWING	SCALE 4:1 SHEET 1 OF 1 REV A