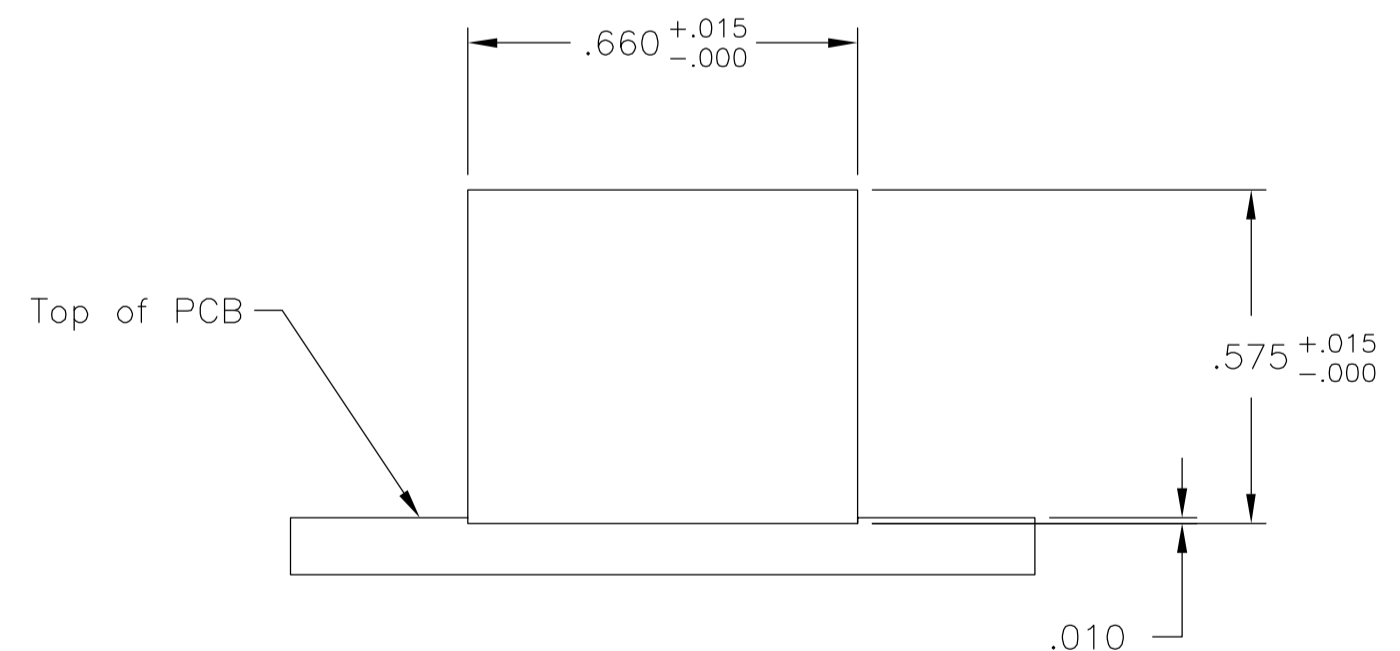
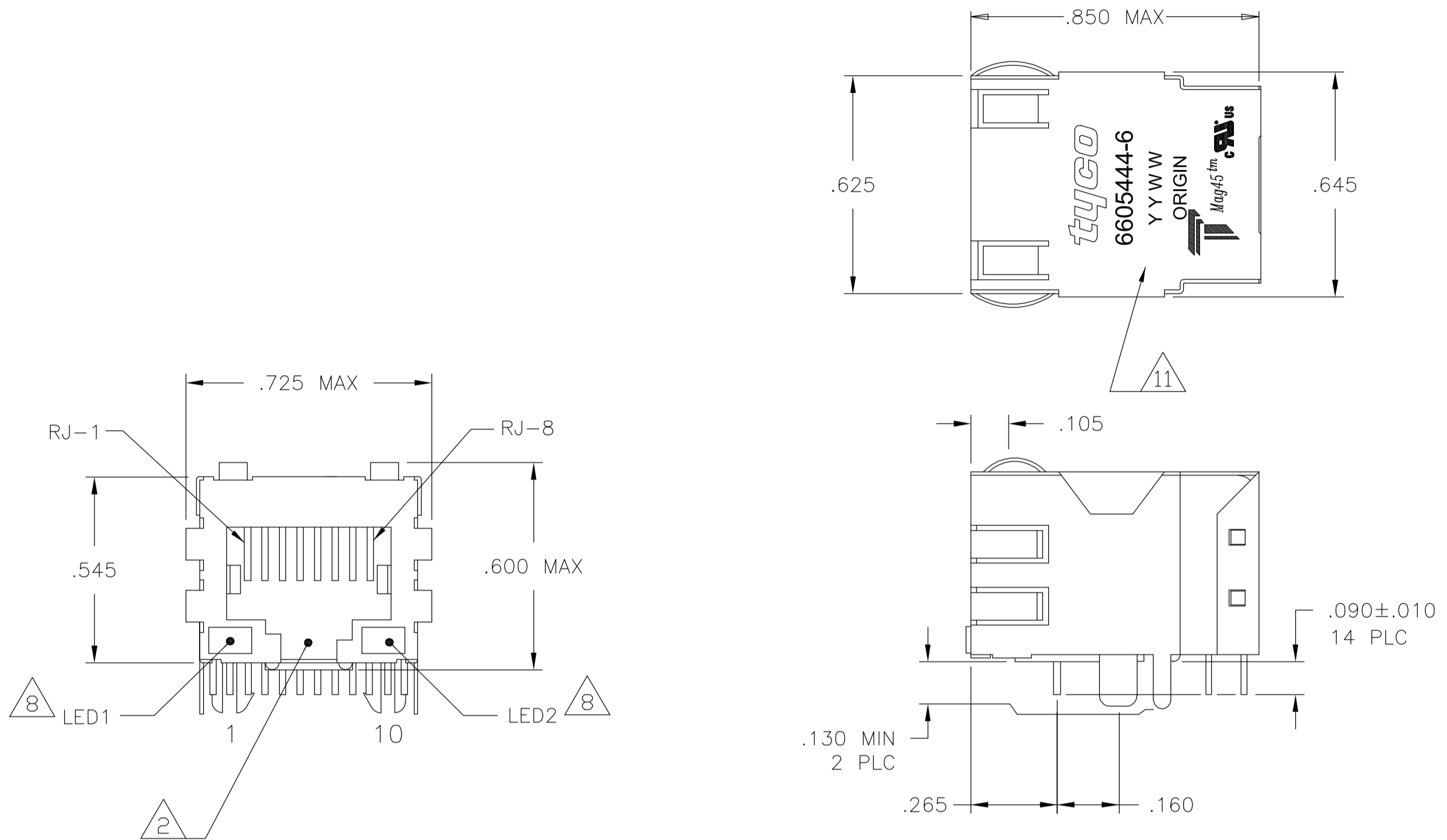


LOC	DIST	REVISIONS			
P	LTR	DESCRIPTION	DATE	OWN	APVD
AA	22	B	PER ECO-05-006128	29JUL2005	CG DF

**MECHANICAL:**



**Suggested Panel Cutout**

- △ **MATERIALS:**  
 HOUSING - THERMOPLASTIC PET POLYESTER FLAMMABILITY RATING UL 94V-0.  
 SHIELD - .010" THICK, C26800 BRASS PREPLATED WITH 30μINCH SEMI-BRIGHT NICKEL. SOLDER TABS POST DIPPED WITH 100μINCH MIN SAC SOLDER.  
 MOD JACK CONTACTS - 0.0157 X 0.018" PHOSPHOR BRONZE, 50μINCH MIN OVERALL NICKEL UNDERPLATE, WITH SELECT 50μINCH MIN HARD GOLD FINISH PLATE  
 SOLDER TAILS WITH 100μINCH MIN MATTE TIN AND/OR SAC SOLDER DIP.  
 LIGHT EMITTING DIODE(LED) - DIFFUSED EPOXY LENS, .020" x .020" CARBON STEEL WIREFRAME LEADS PRE-PLATED WITH 80μINCH SILVER OVER 40μINCH NICKEL UNDERPLATE OVER 40μINCH COPPER UNDERPLATE. POST-PLATED WITH 100μINCH MIN MATTE TIN AND/OR SAC SOLDER DIP OR PURE TIN SOLDER DIP.
- △ RJ45 JACK CAVITY CONFORMS TO FCC RULES AND REGULATIONS PART 68, SUB PART F.
- △ **MAGNETICS**  
 -IMPEDANCE: 100 OHMS  
 -TURNS RATIO (CHIP:CABLE): 1:1 ALL FOUR PAIRS  
 -OPEN CIRCUIT INDUCTANCE (OCL): 350uH MIN @100kHz, 0.1VRMS, 8mADC BIAS FROM 0°C TO 70°C, ALL FOUR PAIRS  
 -ALL FOUR PAIRS BI-DIRECTIONAL  
 -PERFORMANCE @ 25°C:  
 INSERTION LOSS (IL): 1.1dB MAX FROM 0.5MHz TO 100MHz  
 RETURN LOSS (RL): 18dB MIN FROM 0.5MHz TO 40MHz  
 12-20LOG(f/80)dB MIN FROM 40.1MHz TO 100MHz  
 CROSSTALK ATTENUATION: 35dB MIN FROM 0.5MHz TO 40MHz  
 33-20LOG(f/50)dB MIN FROM 40.1MHz TO 100MHz  
 COMMON MODE REJECTION RATIO (CMRR): 30dB MIN FROM 0.5MHz TO 100MHz  
 -ISOLATION VOLTAGE: COMPLIES WITH IEEE802.3 2002, PARA 4.0.6.1.1, ITEM a or b.
- △ C1 IS AN 1000 pF, 2KV DECOUPLING CAPACITOR.
- 5 OPERATING TEMPERATURE: FROM 0°C TO +70°C.
- △ R1-R4 = 75 OHMS, 1/16 W, 5% RESISTORS.
- △ C2-C5 = 0.1uF, 10%, 50V, X7R CAPACITORS.
- △ LED COMPLIANT WITH IEC60825-1 SAFETY OF LASER PRODUCTS. WHEN OPERATED UP TO 20 mA. THE 250 OHM RESISTOR IS INCLUDED IN THE LEDS FOR 1-6605444-1 ONLY.
- △ INDICATED MAGNETIC CONNECTIONS ARE SYMMETRICAL TO SUPPORT AUTO-MDI/MDIX.
- △ LED PEAK WAVELENGTH: GREEN(λ) = 565nm  
 YELLOW(λ) = 585nm  
 ORANGE(λ) = 610nm
- △ TRADEMARK, PART NUMBER, DATE CODE, COUNTRY OF ORIGIN AND AGENCY APPROVAL MARKING IN APPROXIMATE LOCATION SHOWN.

GREEN/ORANGE	YELLOW	1-6605444-3
GREEN	GREEN	1-6605444-1
GREEN/YELLOW	GREEN/YELLOW	6605444-6
△ LED1	△ LED2	PART NUMBER

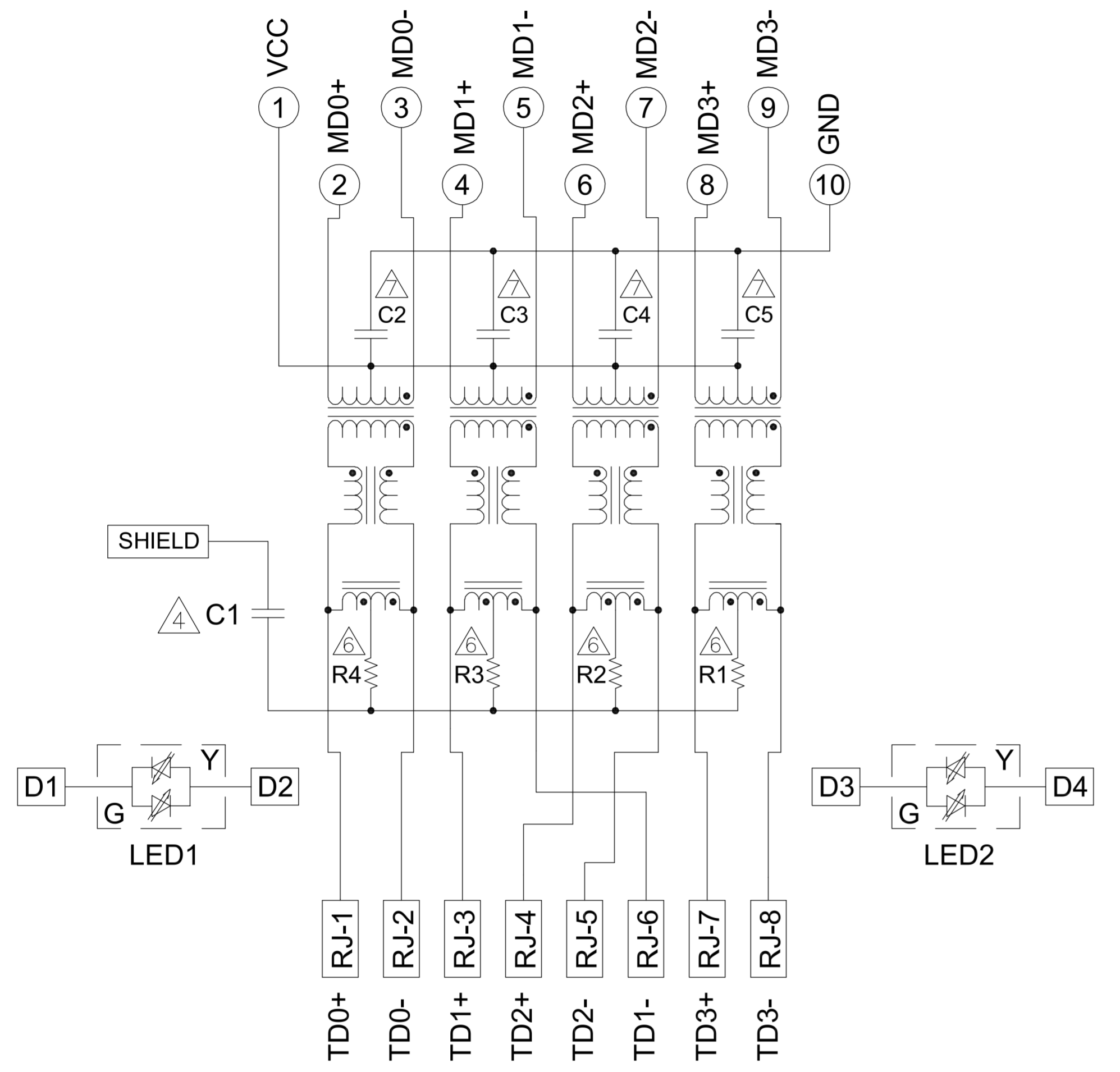
THIS DRAWING IS A CONTROLLED DOCUMENT.

DIMENSIONS: INCHES	TOLERANCES UNLESS OTHERWISE SPECIFIED:	0 PLC ± -	1 PLC ± -	2 PLC ± .010	3 PLC ± .005	4 PLC ± -	ANGLES ± -	FINISH			
DWN: G. ATTADIA - 09MAR2005 CHK: D. FAROLE - 09MAR2005 APD: D. FAROLE - 09MAR2005 PRODUCT SPEC: 108-2100 APPLICATION SPEC:		DWN: G. ATTADIA - 09MAR2005 CHK: D. FAROLE - 09MAR2005 APD: D. FAROLE - 09MAR2005 NAME: 1X1 MAG45(TM), 4G4P1 GIGABIT ETHERNET SCHEMATIC (10 PIN FOOTPRINT), 4G05P1 SERIES MAGNETIC CIRCUIT, SHIELDED, WITH LEDS		SIZE: A1 CAGE CODE: 00779 DRAWING NO: 6605444		RESTRICTED TO:					
MATERIAL: 1		WEIGHT: -		CUSTOMER DRAWING		SCALE: 1:1		SHEET: 1 OF 2		REV: B	

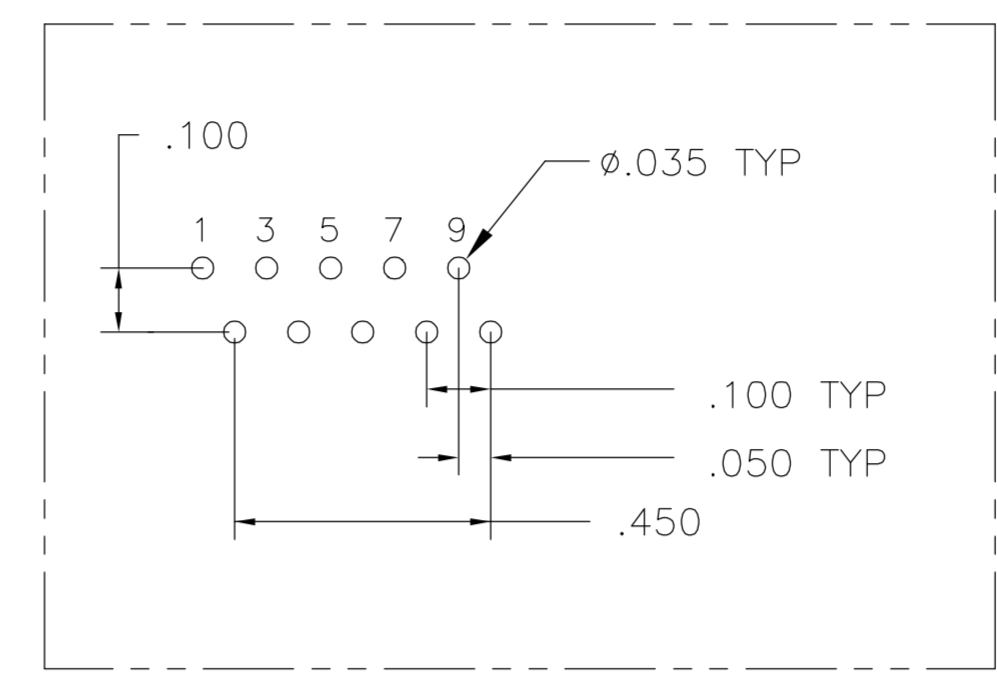
tyco Electronics Tyco Electronics Corporation Harrisburg, Pa 17105-3608

**ELECTRICAL:**

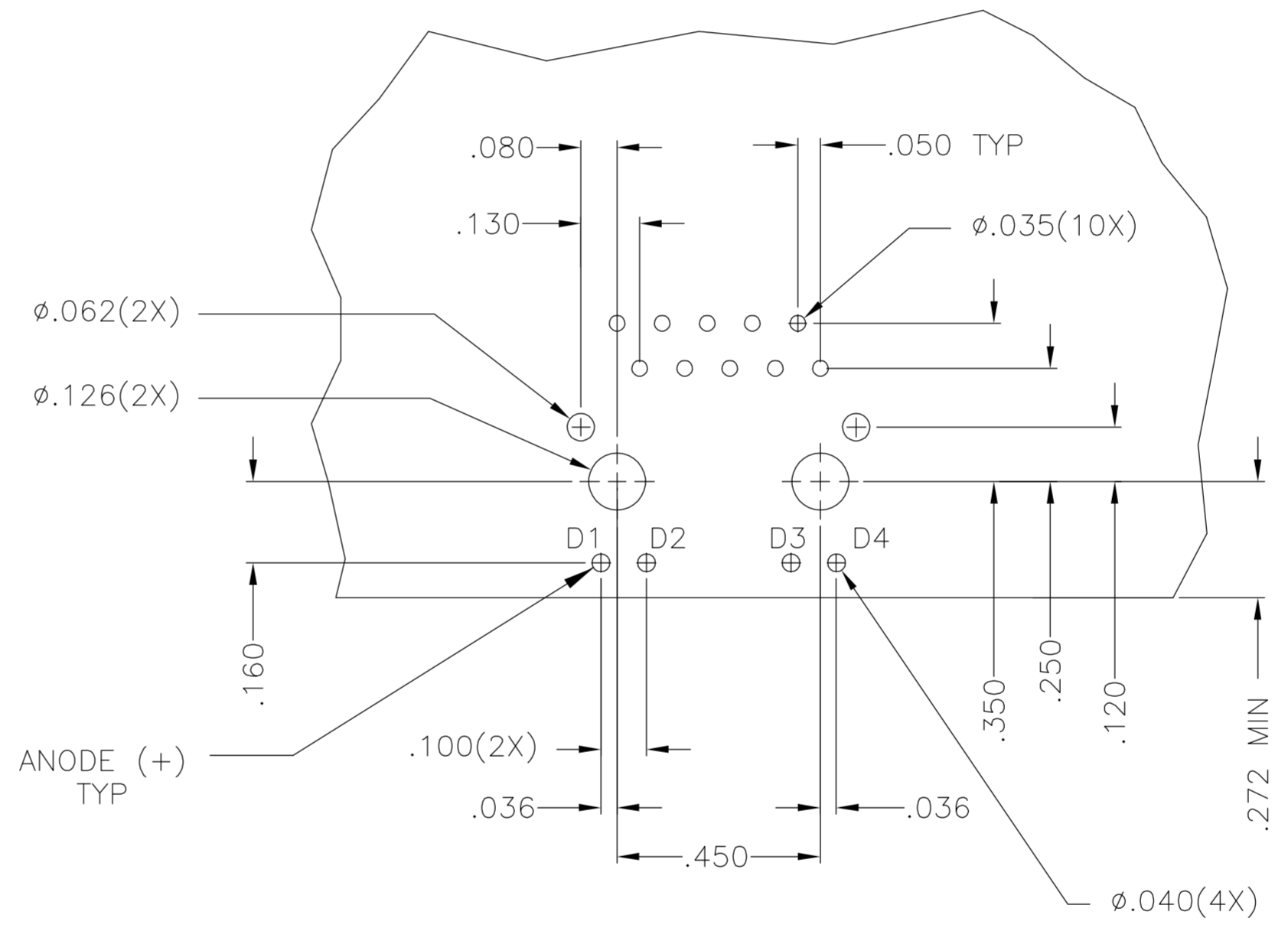
**4G05P1 Series GIGABIT Magnetic Circuit**



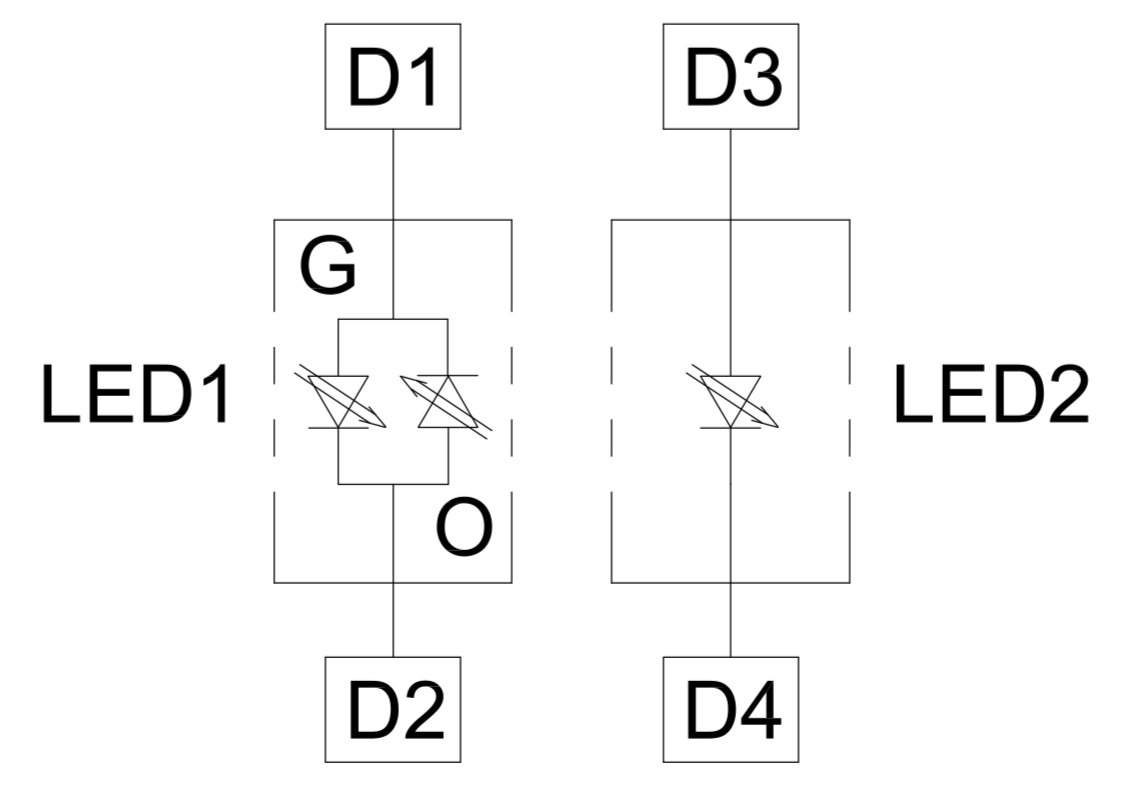
**LED Configuration**  
For 1-6605444-1 ONLY



**Pin Designations**



**Suggested PCB Layout**  
(Component Side)



**LED CONFIGURATION**  
FOR 1-6605444-3 ONLY

THIS DRAWING IS A CONTROLLED DOCUMENT.		DWN G. ATTADIA	09MAR2005	 Tyco Electronics Corporation Harrisburg, Pa 17105-3608
DIMENSIONS: INCHES		CHK D. FAROLE	09MAR2005	
TOLERANCES UNLESS OTHERWISE SPECIFIED:		APVD D. FAROLE	09MAR2005	NAME 108-2100
0 PLC	± -	PRODUCT SPEC		SIZE A1
1 PLC	± -	APPLICATION SPEC		CAGE CODE 00779
2 PLC	± .010	MATERIAL SEE SHEET 1		DRAWING NO. 6605444
3 PLC	± .005	FINISH SEE SHEET 1		RESTRICTED TO CUSTOMER DRAWING
4 PLC	± -	MATERIAL SEE SHEET 1		SCALE 1:1
ANGLES	± -	MATERIAL SEE SHEET 1		SHEET 2 OF 2
FINISH	± -	MATERIAL SEE SHEET 1		REV B