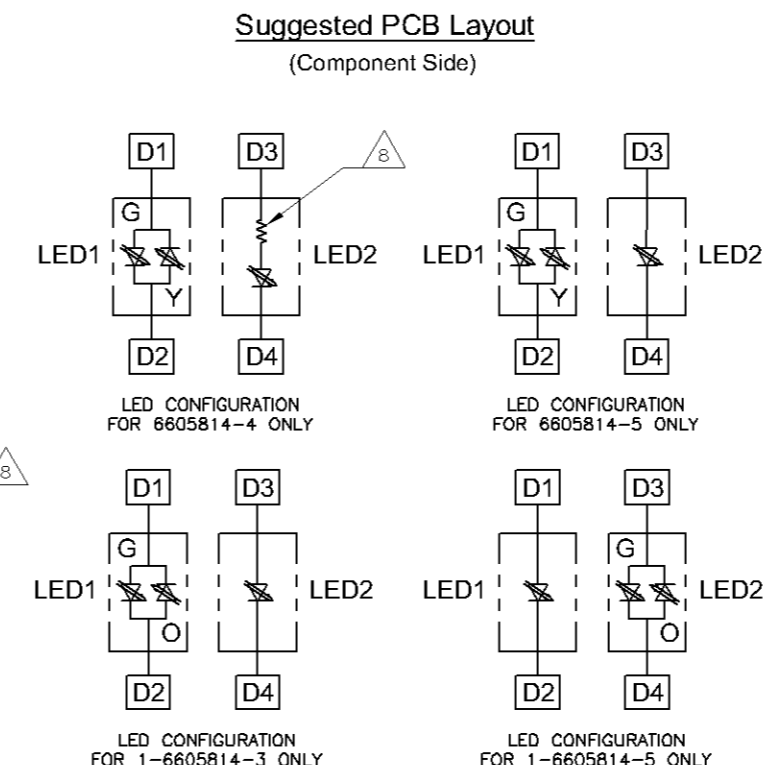
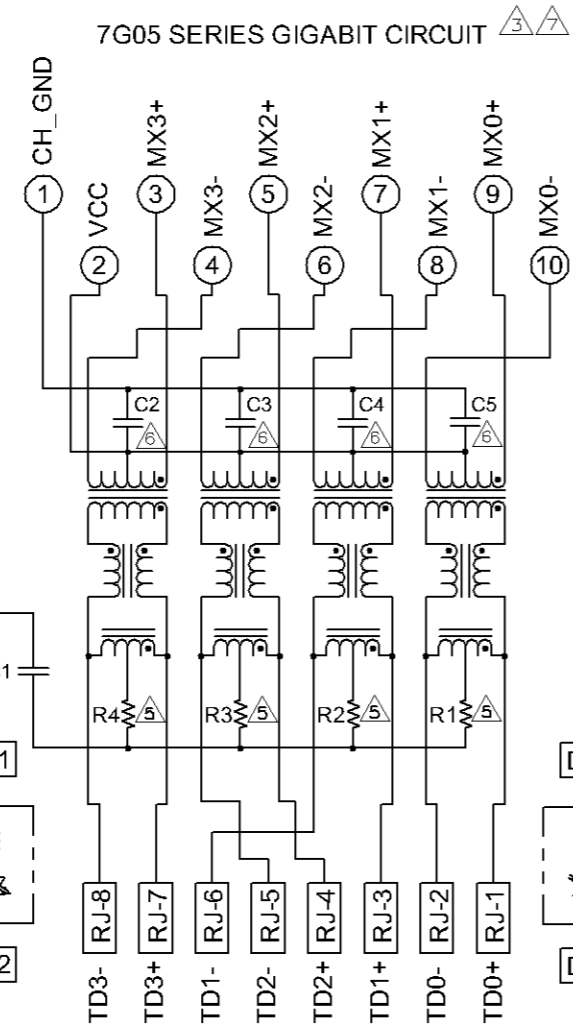
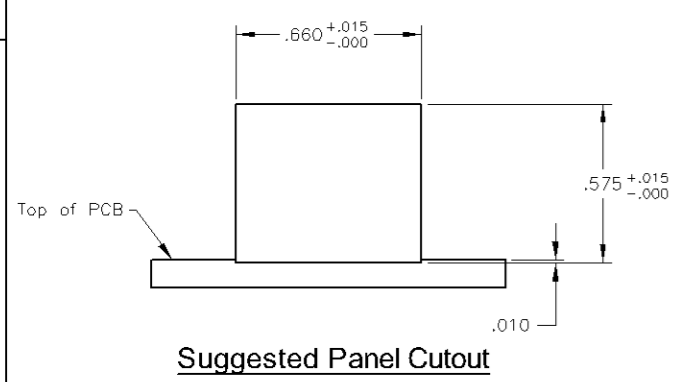
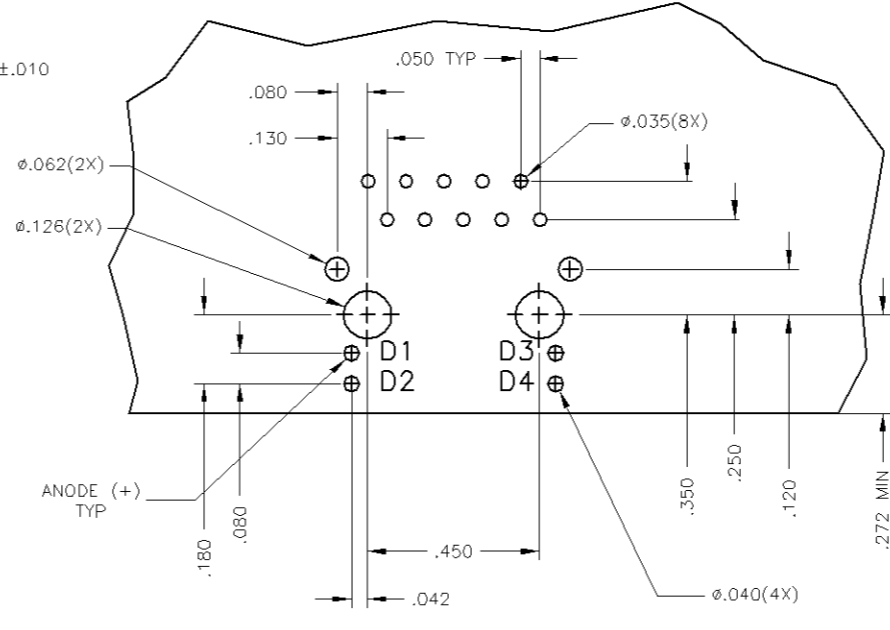
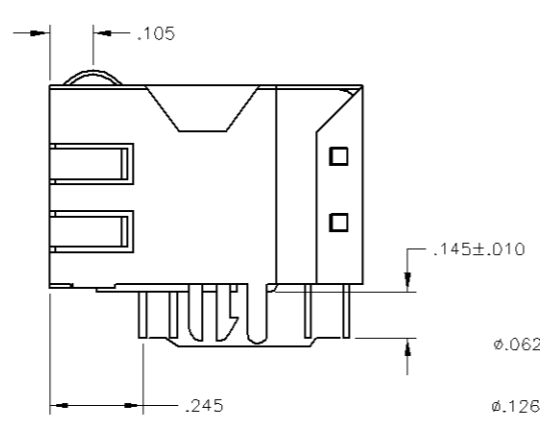
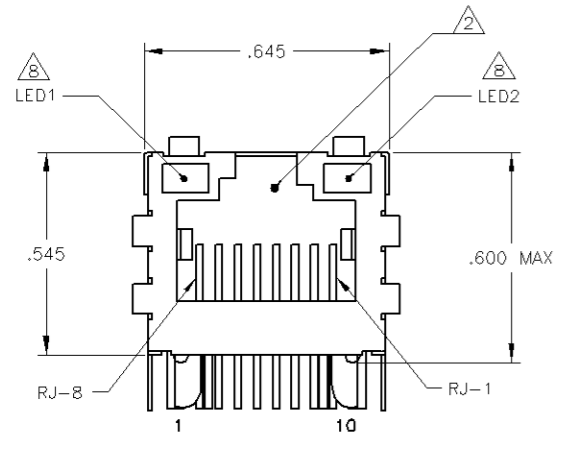
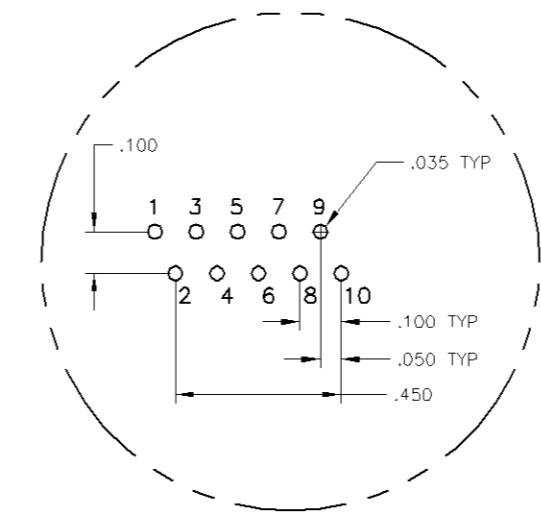
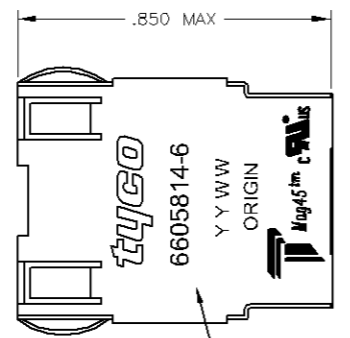
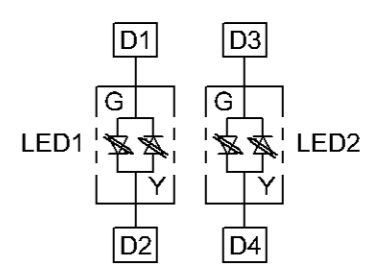


REV. NO.		REVISIONS	
P	DATE	DESCRIPTION	BY
B	29MAY2006	REV PER ECO-06-015198	CZ MZ

**MECHANICAL:**



- MATERIALS:**  
 HOUSING - THERMOPLASTIC PET POLYESTER FLAMMABILITY RATING UL 94V-0.  
 SHIELD - .010" THICK, C26800 BRASS PREPLATED WITH 30u inch MIN SEMI-BRIGHT NICKEL;  
 SOLDER TABS POST-DIPPED WITH 100u inch MIN SAC SOLDER.  
 MOD JACK CONTACTS - .0157" x .018" THICK, PHOSPHOR BRONZE, 50u inch MIN OVERALL NICKEL UNDERPLATE, WITH SELECT 50u inch MIN HARD GOLD FINISH PLATE.  
 SOLDER TAILS WITH 100u inch MIN MATTE TIN AND/OR SAC SOLDER DIP.  
 LIGHT EMITTING DIODE(LED) - DIFFUSED EPOXY LENS, .020" x .020" CARBON STEEL WIREFRAME LEADS PREPLATED WITH 80u inch SILVER OVER 40u inch NICKEL UNDERPLATE OVER 40u inch COPPER UNDERPLATE; POST-PLATED WITH 100u inch MIN MATTE TIN AND/OR SAC SOLDER DIP OR PURE TIN SOLDER DIP.
- RJ45 JACK CAVITY CONFORMS TO FCC RULES AND REGULATIONS PART 68, SUB PART F.**
- MAGNETICS**  
 -APPLICATION: 10/100/1000 BASE-T  
 -IMPEDANCE: 100 OHMS  
 -TURNS RATIO (CHIP: CABLE): 1:1 ALL FOUR PAIRS  
 -OPEN CIRCUIT INDUCTANCE (OCL): 350uH MIN @100kHz, 0.1VRMS, 8mADC BIAS FROM 0° C TO 70° C, ALL FOUR PAIRS  
 -ALL FOUR PAIRS BI-DIRECTIONAL  
 -PERFORMANCE @ 25° C:  
 INSERTION LOSS (IL): 1.1dB MAX FROM 0.5MHz TO 100MHz  
 RETURN LOSS (RL): 18dB MIN FROM 0.5MHz TO 40MHz  
 12-20LOG(f/80)dB MIN FROM 40.1MHz TO 100MHz  
 CROSSTALK ATTENUATION: 35dB MIN FROM 0.5MHz TO 40MHz  
 33-20LOG(f/50)dB MIN FROM 40.1MHz TO 100MHz  
 COMMON MODE REJECTION RATIO (CMRR): 30dB MIN FROM 0.5MHz TO 100MHz  
 -ISOLATION VOLTAGE: COMPLIES WITH IEEE802.3 2002, PARA 40.6.1.1, ITEM b.
- C1 IS A 1000 pF, 2KV DECOUPLING CAPACITOR.**
- R1-R4 = 75 OHMS, 1/16W, 5% RESISTORS.**
- C2-C5 = 0.1 uF, 50V, X7R CAPACITORS.**
- THE MAGNETICS ARE SYMMETRICAL, AND SUPPORTS AUTO-MDI/MDIX.**
- LEDS ARE DRIVEN WITH CONSTANT CURRENT AT APPROX 20mA.**  
 LED COLOR: DOMINANT WAVELENGTH (λ D): GREEN 568 nm TYP. at IF=20mA  
 FORWARD VOLTAGE (VF): GREEN 2.2V TYP. at IF=20mA  
 DOMINANT WAVELENGTH (λ D): YELLOW 588 nm TYP. at IF=20mA  
 FORWARD VOLTAGE (VF): YELLOW 2.1V TYP. at IF=20mA  
 DOMINANT WAVELENGTH (λ D): ORANGE 610 nm TYP. at IF=20mA  
 FORWARD VOLTAGE (VF): ORANGE 2.1V TYP. at IF=20mA  
 THE 250 OHM RESISTOR ARE INCLUDED IN THE LEADS ON 6605814-1, 6605814-2, 6605814-4 AND 1-6605814-1 ONLY.  
 LED INCLUDED WITH 250 OHM RESISTOR IS DRIVEN WITH 5V VOLTAGE AND THE MAX OPERATING CURRENT IS 20mA.  
 LED COLOR: DOMINANT WAVELENGTH (λ D): GREEN 568 nm TYP. at VF=5V  
 FORWARD CURRENT (IF): GREEN 12 mA TYP. at VF=5V  
 DOMINANT WAVELENGTH (λ D): YELLOW 588 nm TYP. at VF=5V  
 FORWARD CURRENT (IF): YELLOW 13 mA TYP. at VF=5V
- TRADEMARK, PART NUMBER, DATE CODE, COUNTRY OF ORIGIN AND AGENCY APPROVAL MARKING IN APPROXIMATE LOCATION AS SHOWN.**



LED1	LED2	PART NUMBER
YELLOW	GREEN/ORANGE	1-6605814-5
GREEN/ORANGE	YELLOW	1-6605814-3
GREEN	GREEN	1-6605814-1
GREEN	YELLOW	6605814-8
GREEN/YELLOW	GREEN/YELLOW	6605814-6
GREEN/YELLOW	GREEN	6605814-5
GREEN/YELLOW	GREEN	6605814-4
YELLOW	GREEN	6605814-2
GREEN	YELLOW	6605814-1

THIS DRAWING IS A CONTROLLED DOCUMENT.

DESIGNER: CLOUD, ZENG	DATE: 29MAY2006	BY: MICHAEL ZHANG	DATE: 29MAY2006
APPROVED: TEDDY ZHONG	DATE: 29MAY2006	DATE: 29MAY2006	DATE: 29MAY2006
PRODUCT SPEC: 108-2100	APPLICATION SPEC:	SIZE: A1	SCALE: NTS
MATERIAL: -	FINISH: -	REVISION: 00779	DRAWING NO: C-6605814
CUSTOMER DRAWING	RESTRICTED TO:	SHEET: 1	OF: 1

TYCO ELECTRONICS CORPORATION  
 HARRISBURG, PA 17105-3808

1X1 MAG45(TM), MODULAR JACK,  
 7G4 SCHEMATIC, 05 SERIES GIGABIT CIRCUIT,  
 SHIELDED, WITH LEADS