

⚠ USB MATERIALS:
 SHELL: BRASS
 HOUSING: BLACK, THERMOPLASTIC, GLASS FILLED, UL 94V-0 RATED
 CONTACT: PHOSPHOR BRONZE WITH SELECTIVE GOLD PLATING, 0.76µm MIN IN CONTACT REGION.
 SPRING CLIP: COPPER ALLOY

RJ45 MATERIALS:
 PLASTIC HOUSING: BLACK, PET THERMOPLASTIC FLAMMABILITY RATING UL 94V-0
 SHIELD: BRASS, PLATED WITH 0.76µm SEMI-BRIGHT NICKEL, SELECTED TIN, 2.0-3.8µm ON SOLDER TAILS ONLY
 CONTACTS: PHOSPHOR BRONZE.
 PLATING: 1.27µm MIN NICKEL UNDERPLATE WITH SELECT 1.27µm MIN GOLD AT MATING INTERFACE AND 2.54µm MIN TIN ON CONTACT TAILS.

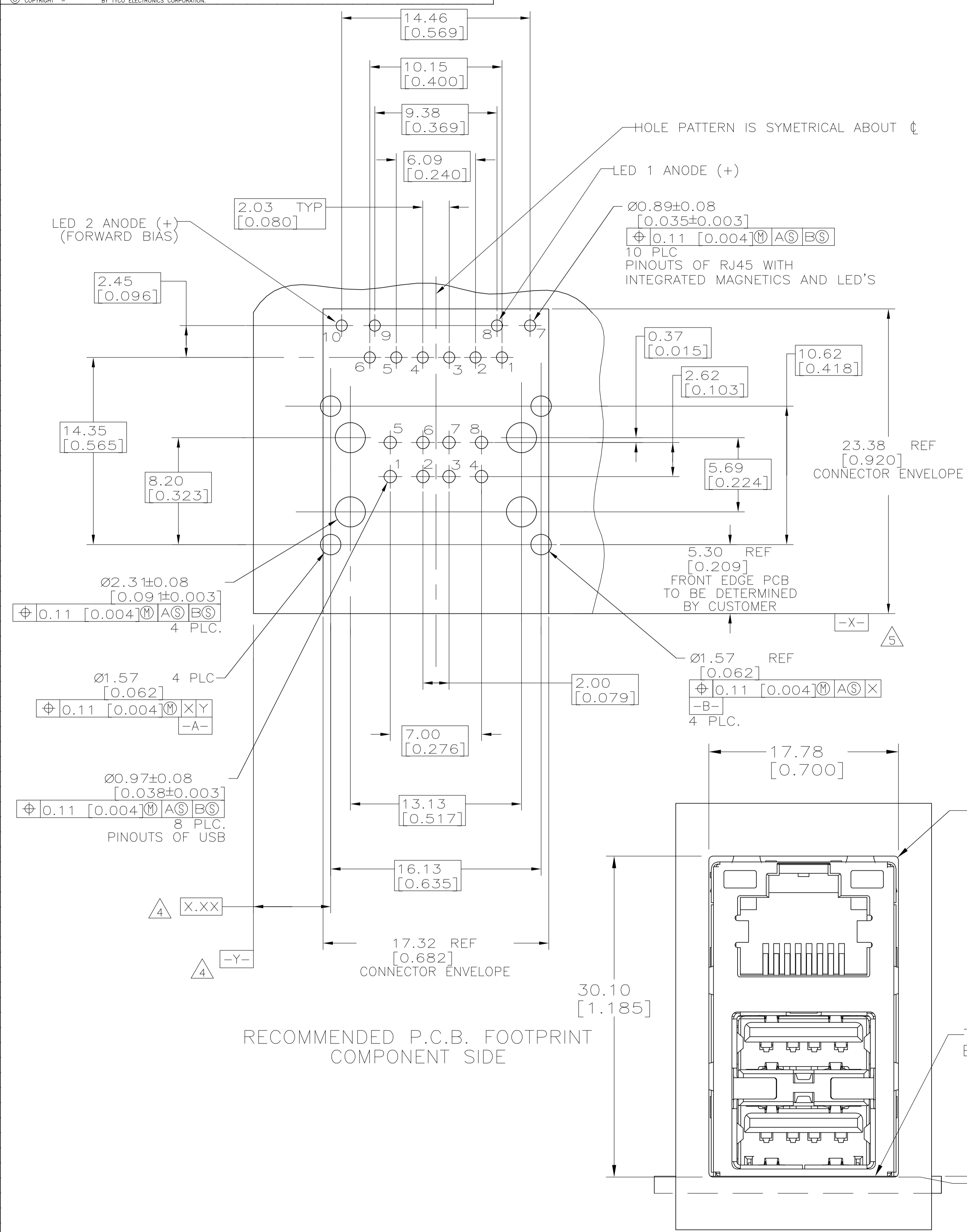
LIGHT PIPE: FLAME RETARDANT POLYCARBONATE.
 LED: DIFFUSED EPOXY LENS, CARBON STEEL LEAD FRAME WITH TIN/SILVER/NICKEL/COPPER PLATING.

⚠ MAGNETICS
 -APPLICATION: 10/100 BASE-T
 -IMPEDANCE: 100 OHMS
 -TURNS RATIO (CHIP:CABLE): TX = 1:1, RX = 1:1
 -OPEN CIRCUIT INDUCTANCE (OCL): 350µH MIN @100kHz, 0.1VRMS, 8mADC BIAS FROM 0°C TO 70°C, TX AND RX
 -PERFORMANCE @ 25°C:
 INSERTION LOSS (IL): 1.1dB MAX FROM 0.5MHz TO 100MHz
 RETURN LOSS (RL): 18dB MIN FROM 0.5MHz TO 30MHz
 18-20LOG(f/30)dB MIN FROM 30.1MHz TO 60MHz
 12dB MIN FROM 60.1MHz TO 80MHz
 CROSSTALK ATTENUATION: 35dB MIN FROM 0.5MHz TO 40MHz
 33-20LOG(f/50)dB MIN FROM 40.1MHz TO 100MHz
 COMMON MODE REJECTION RATIO (CMRR): 30dB MIN FROM 0.5MHz TO 100MHz
 -ISOLATION VOLTAGE: COMPLIES WITH IEEE802.3 2002, PARA 23.5.1.1, ITEM a or b.

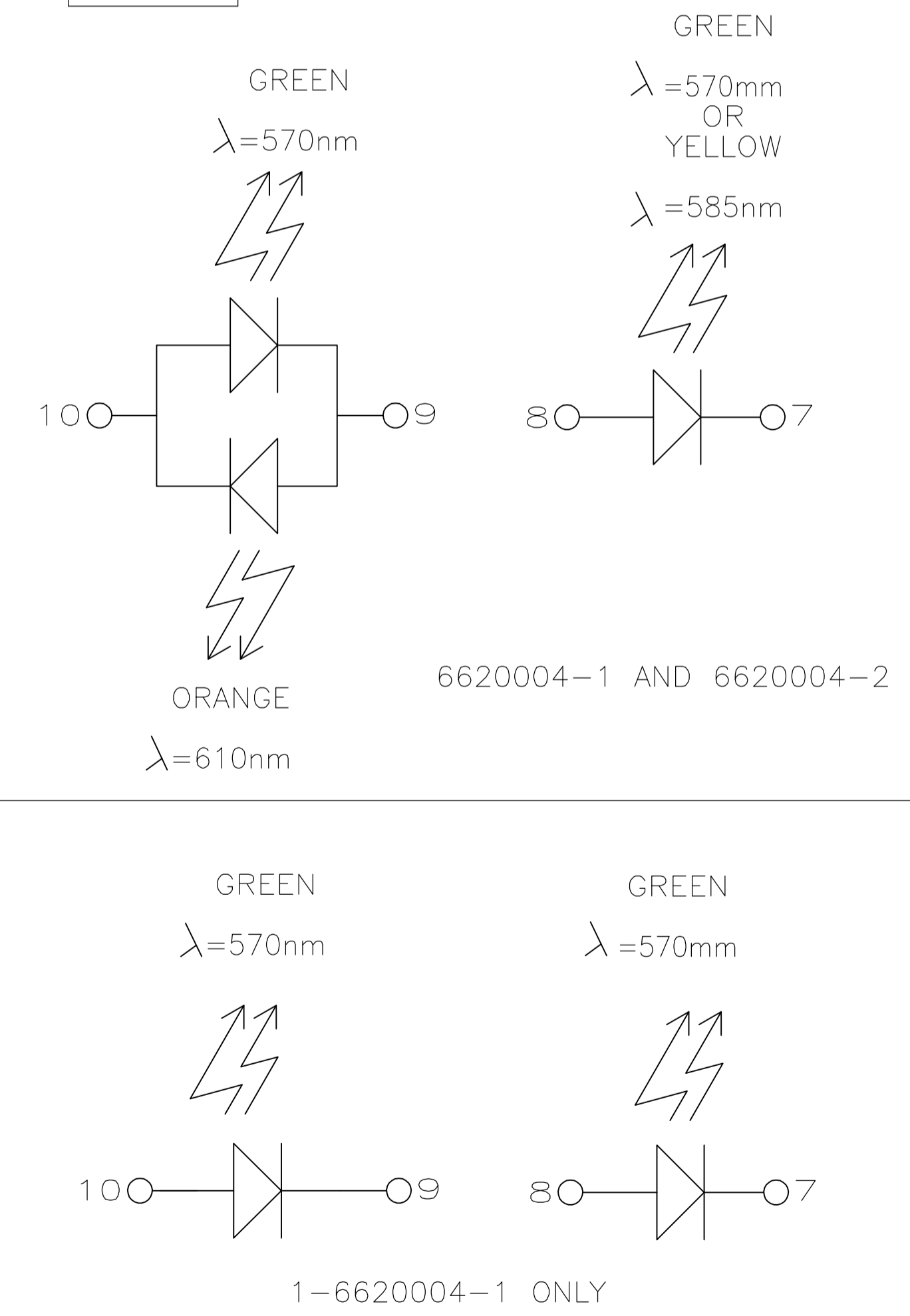
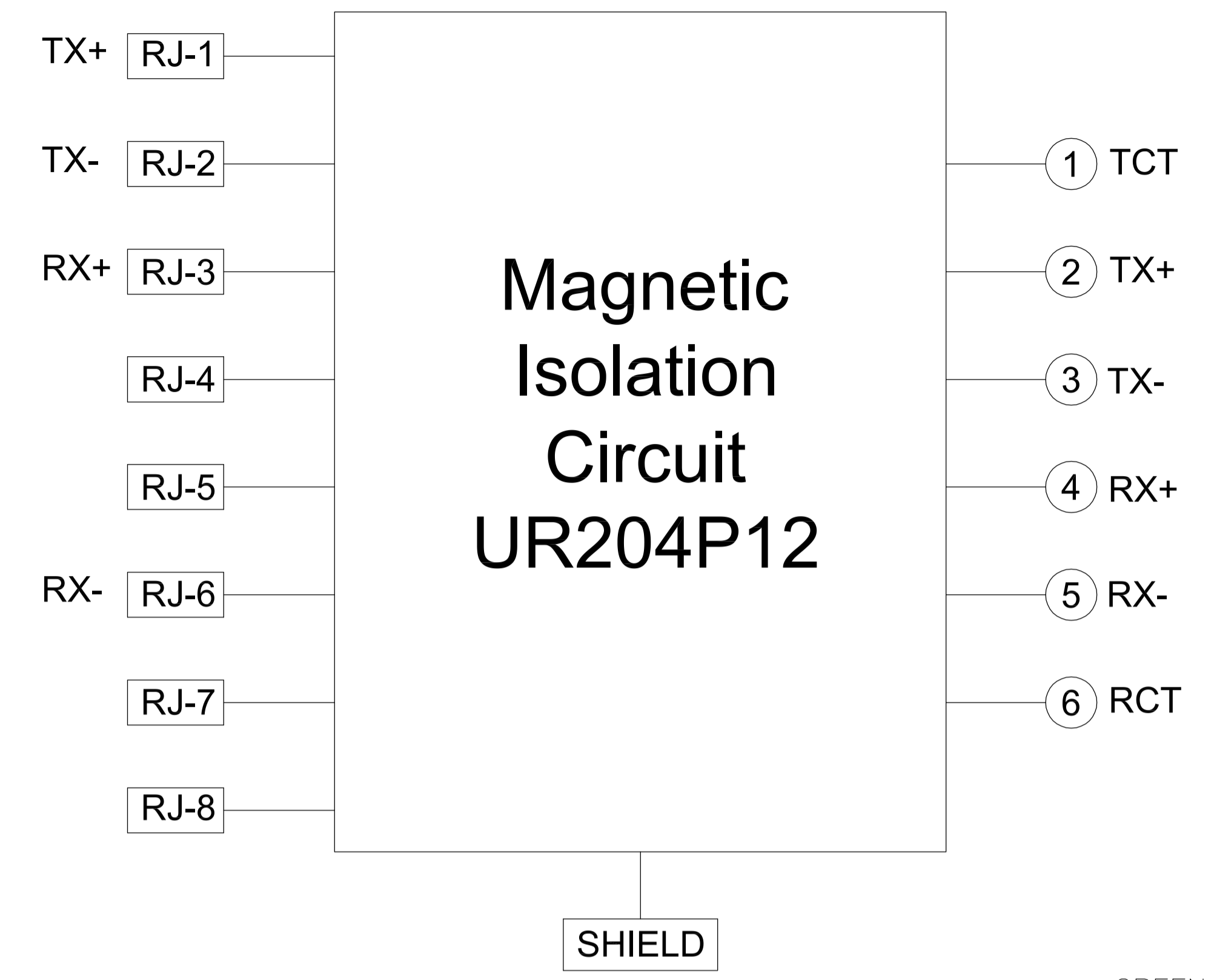
- ⚠ PRODUCT IDENTIFICATION TO BE MARKED IN APPROXIMATE LOCATION.
 - ⚠ DATUM LOCATION AND DIMENSION TO BE ESTABLISHED BY CUSTOMER.
 - ⚠ RJ45 CAVITY COMFORMS TO FCC RULES AND REGULATION PART 68 SUBPART F.
 - ⚠ MATING INTERFACE COMPIES WITH USB (UNIVERSAL SERIAL BUS) SPECIFICATION REV 2.0, UTILIZING TYCO P/N 292323-1 WITH USB 2.0 CERTIFICATE TEST ID NO. 60000242.
 - ⚠ LED'S COMPLIANT WITH IEC60825-1 SAFETY OF LASER PRODUCTS. WHEN OPERATED AT CURRENT OF 20 MA.
 - ⚠ R1 - R4 = 75 Ohm, 1/16 W, 5% RESISTORS.
 - ⚠ C1 = 1000pF, 2kV DECOUPLING CAPACITOR FOR 6620004-1
 C1 = 1000pF, 3kV DECOUPLING CAPACITOR FOR 6620004-2 AND -11
10. OPERATING TEMPERATURE: -FROM 0° C TO + 70° C

GREEN	GREEN	1000 pF, 3kV	1-6620004-1
GREEN/ORANGE	YELLOW	1000 pF, 3kV	6620004-2
GREEN/ORANGE	YELLOW	1000 pF, 2kV	6620004-1
LED 2	LED 1	DECOUPLING CAPACITOR	PART NUMBER

THIS DRAWING IS A CONTROLLED DOCUMENT.		DIN R GRZYBOWSKI 24/JUN/05	Tyco Electronics Corporation Harrisburg, PA 17105-3608
DIMENSIONS: mm		CHK P DAMATO 24/JUN/05	
TOLERANCES UNLESS OTHERWISE SPECIFIED:		APVD S FLICKINGER	NAME RJ45 OVER DUAL USB W/INTEGRATED UR204P12 MAGNETICS, LED'S. INLINE 108-2100
0 PLC ± -		PRODUCT SPEC	
1 PLC ± -		APPLICATION SPEC	SIZE CAGE CODE DRAWING NO
2 PLC ± 0.25			A1 00779 C=6620004
3 PLC ± 0.25			WEIGHT
4 PLC ± -			CUSTOMER DRAWING
ANGLES ± -			SCALE 1:1 SHEET 1 OF 2 REV C



SUGGESTED PANEL CUTOUT DIMENSIONS
 SCALE 4:1



THIS DRAWING IS A CONTROLLED DOCUMENT.		DIN R GRZYBOWSKI 24JUN05	Tyco Electronics Corporation Harrisburg, PA 17105-3608
DIMENSIONS: mm		CHK P. DAMATO	
TOLERANCES UNLESS OTHERWISE SPECIFIED:		APVD S. FLICKINGER	NAME
0 PLC	±		RJ45 OVER DUAL USB W/INTEGRATED UR204P12 MAGNETICS, LED'S, INLINE
1 PLC	±		PRODUCT SPEC
2 PLC	±		APPLICATION SPEC
3 PLC	±		SIZE
4 PLC	±		WEIGHT
ANGLES	±		CAGE CODE
FINISH			DRAWING NO
			00779
			6620004
			CUSTOMER DRAWING
			SCALE 1:1 SHEET 2 OF 2 REV C