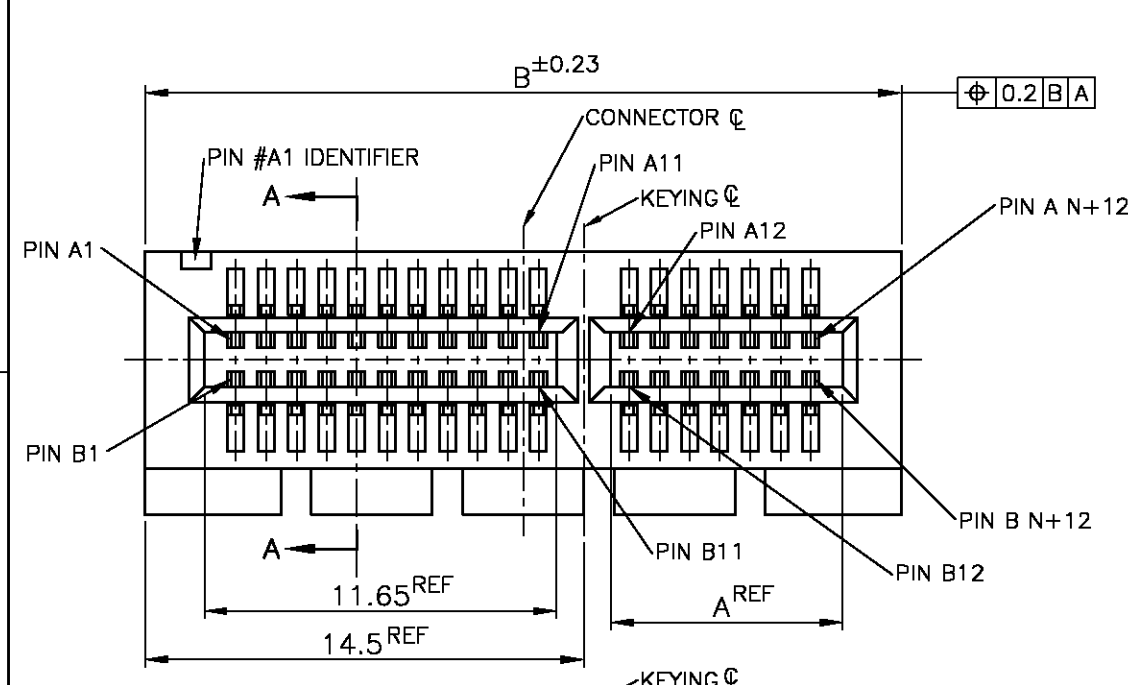
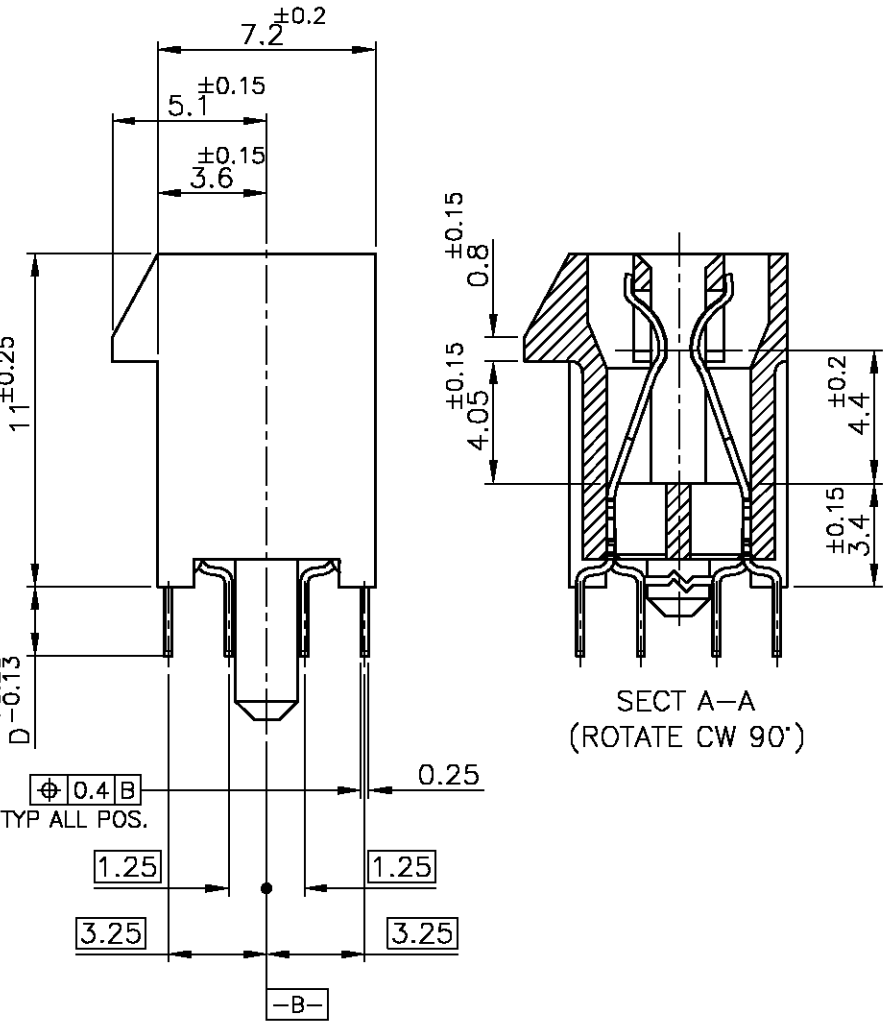
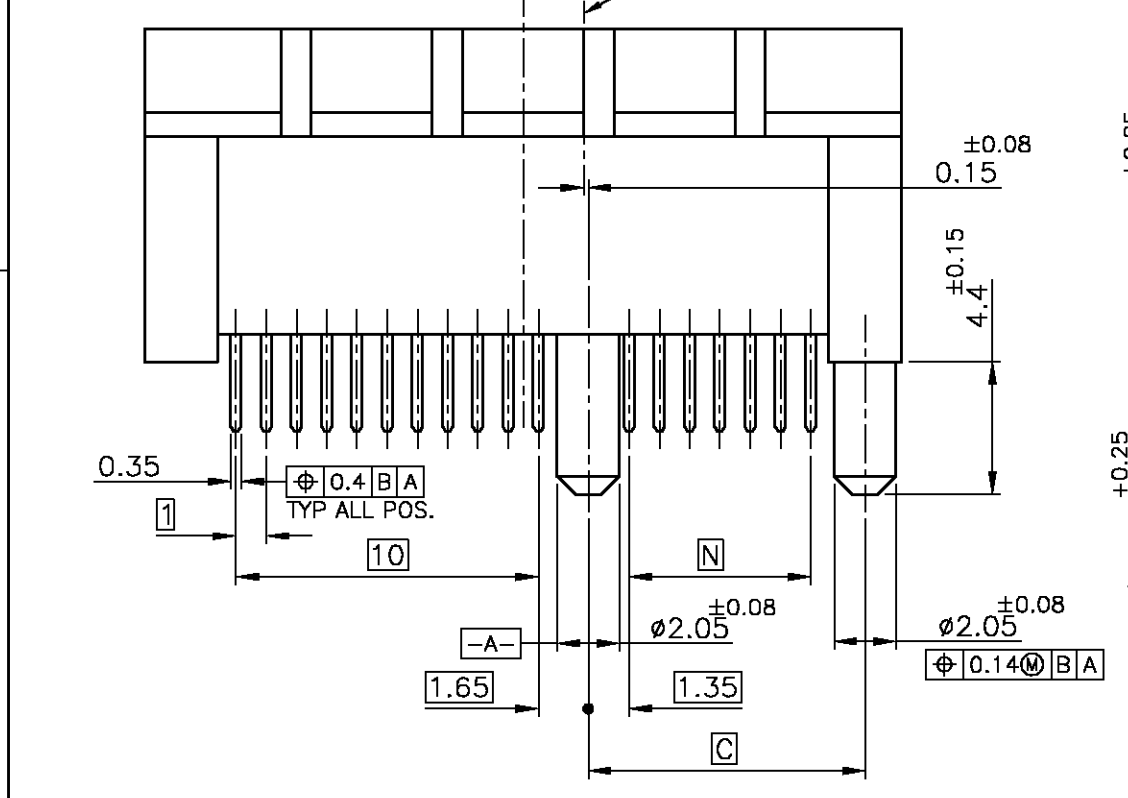


THIS DRAWING IS UNPUBLISHED. RELEASED FOR PUBLICATION FEB, 2003.  
 © COPYRIGHT 2003 BY TYCO ELECTRONICS CORPORATION. ALL RIGHTS RESERVED.

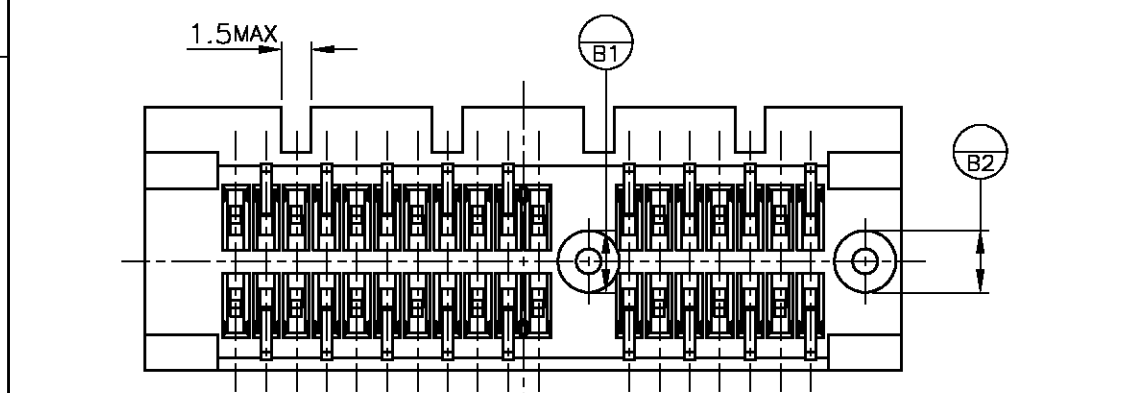
LOC	DIST	REVISIONS					
J	/	P	LTR	DESCRIPTION	DATE	DWN	APVD
		H	REVISED	FJB0-0034-05	17JANT05	J.T	Y.Y



- 1 MATERIAL;  
HOUSING: HIGH TEMPERATURE THERMO PLASTIC  
UL94V-0, COLOR; BLACK
- 2 FINISH;  
CONTACT AREA: GOLD PL.0.05μm MIN OVER NICKEL PL.  
TINE AREA: TIN PL. OVER NICKEL PL.
- 3 FINISH;  
CONTACT AREA: GOLD PL.0.38μm MIN OVER NICKEL PL.  
TINE AREA: TIN PL. OVER NICKEL PL.
- 4 FINISH;  
CONTACT AREA: GOLD PL.0.76μm MIN OVER NICKEL PL.  
TINE AREA: TIN PL. OVER NICKEL PL.



PRODUCING	↑	70	↑	73.15	89	71.65	164	16	8-	↑	-4
PRODUCING	↑	37	↑	40.15	56	38.65	98	8	8-	↑	-3
PRODUCING	↑	20	↑	23.15	39	21.65	64	4	8-	↑	-2
PRODUCING	△	6	↑	9.15	25	7.65	36	1	8-1612163-1	↑	-1
PRODUCING	↑	70	↑	73.15	89	71.65	164	16	6-	↑	-4
PRODUCING	↑	37	↑	40.15	56	38.65	98	8	6-	↑	-3
PRODUCING	↑	20	↑	23.15	39	21.65	64	4	6-	↑	-2
PRODUCING	△	6	3.56	9.15	25	7.65	36	1	6-1612163-1	↑	-1
PRODUCING	↑	70	↑	73.15	89	71.65	164	16	5-	↑	-4
PRODUCING	↑	37	↑	40.15	56	38.65	98	8	5-	↑	-3
PRODUCING	↑	20	↑	23.15	39	21.65	64	4	5-	↑	-2
PRODUCING	↑	6	3.1	9.15	25	7.65	36	1	5-1612163-1	↑	-1
PRODUCING	↑	70	↑	73.15	89	71.65	164	16	4-	↑	-4
PRODUCING	↑	37	↑	40.15	56	38.65	98	8	4-	↑	-3
PRODUCING	↑	20	↑	23.15	39	21.65	64	4	4-	↑	-2
PRODUCING	△	6	2.3	9.15	25	7.65	36	1	4-1612163-1	↑	-1
PRODUCING	↑	70	↑	73.15	89	71.65	164	16	3-	↑	-4
PRODUCING	↑	37	↑	40.15	56	38.65	98	8	3-	↑	-3
PRODUCING	↑	20	↑	23.15	39	21.65	64	4	3-	↑	-2
PRODUCING	↑	6	3.1	9.15	25	7.65	36	1	3-1612163-1	↑	-1
PRODUCING	↑	70	↑	73.15	89	71.65	164	16	2-	↑	-4
PRODUCING	↑	37	↑	40.15	56	38.65	98	8	2-	↑	-3
PRODUCING	↑	20	↑	23.15	39	21.65	64	4	2-	↑	-2
PRODUCING	△	6	2.3	9.15	25	7.65	36	1	2-1612163-1	↑	-1
PRODUCING	↑	70	↑	73.15	89	71.65	164	16	1-	↑	-4
PRODUCING	↑	37	↑	40.15	56	38.65	98	8	1-	↑	-3
PRODUCING	↑	20	↑	23.15	39	21.65	64	4	1-	↑	-2
PRODUCING	↑	6	3.1	9.15	25	7.65	36	1	1-1612163-1	↑	-1
PRODUCING	↑	70	↑	73.15	89	71.65	164	16		↑	-4
PRODUCING	↑	37	↑	40.15	56	38.65	98	8		↑	-3
PRODUCING	↑	20	↑	23.15	39	21.65	64	4		↑	-2
PRODUCING	△	6	2.3	9.15	25	7.65	36	1		↑	-1
TOOLING STATUS	FINISH	N	D	C	B	A	POS	PORT	P/N		



THIS DRAWING IS A CONTROLLED DOCUMENT.

DWN: K.KOBAYASHI 20FEB03  
 CHK: H.SHIRAI 21FEB03  
 APVD: Y.YAMAMOTO 21FEB03

**tyco** Tyco Electronics AMP K.K. Kawasaki, Japan  
**Electronics**

NAME: PCI EXPRESS CARD EDGE CONN. V-TYPE  
 製品規格: 108-5847

APPLICATION SPEC: 取付適用規格

SIZE: A3 CAGE CODE: 00779 DRAWING NO: C-1612163 RESTRICTED TO: [ ]

WEIGHT: [ ]

MATERIAL: [ ] FINISH: 仕上 SEE TABLE

CUSTOMER DRAWING SCALE: 4:1 SHEET: 1 OF 2 REV: H

