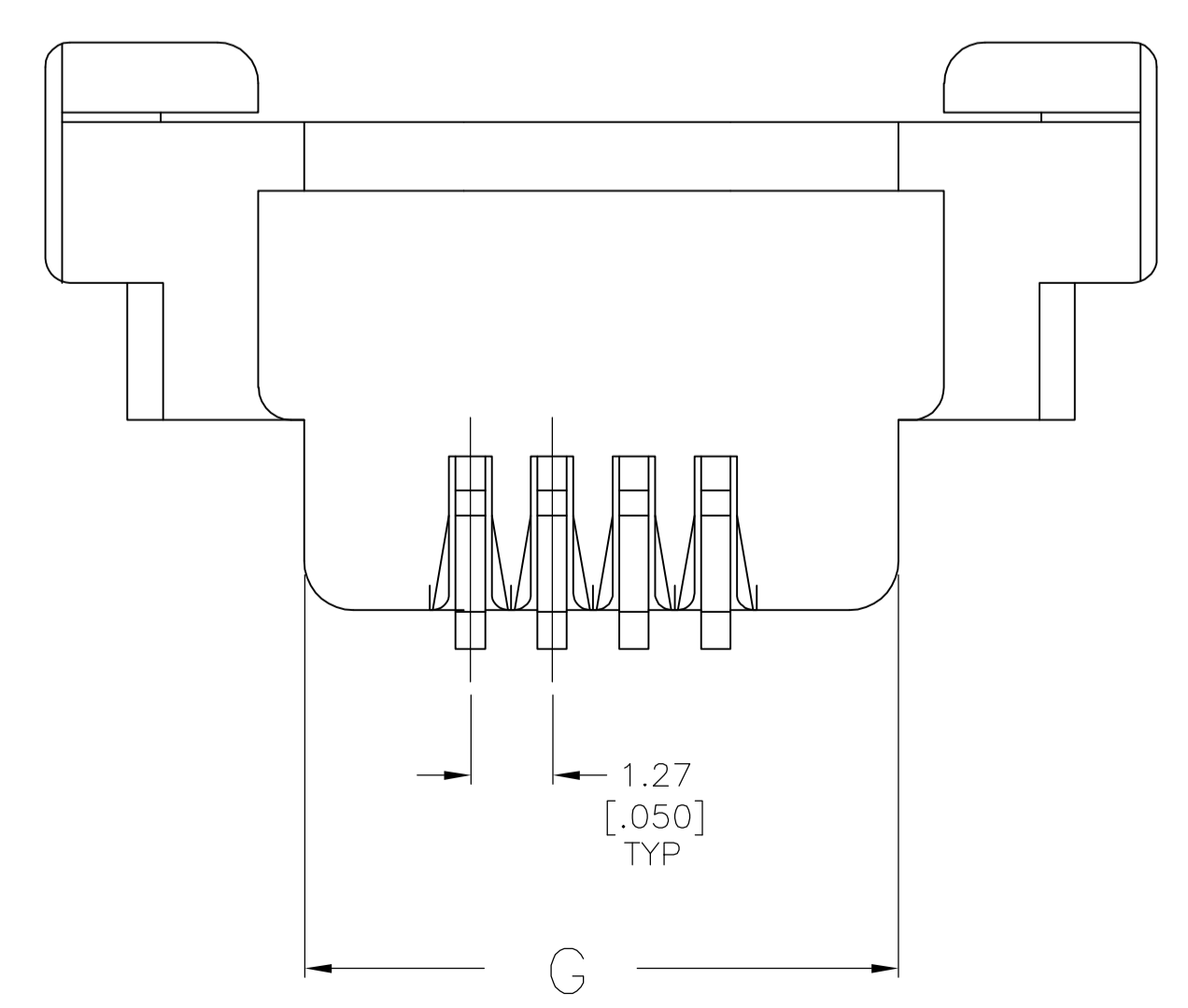


KEY IDENTIFICATION LETTER ON THIS SURFACE SEE TABLE



- PREFIX AND SUFFIX NUMBERS MUST MATCH THOSE ON RECEPTACLE FOR PARTS TO MATE.
- MATERIAL:
 - HOUSING- POLYCARBONATE
 - CONTACT- COPPER ALLOY
 - SHIELD- BRASS
- FINISH:
 - HOUSING- SMOKE GRAY
 - CONTACT- 0.00127[.000050] MIN NICKEL OVER ENTIRE PART, 0.00002[.000001] GOLD FLASH OVER ENTIRE PART, 0.00127[.000050] MIN GOLD OVER CONTACT AREA.
 - SHIELD: 0.00076[.000030] BRIGHT TIN OVER 0.00127[.000050] MIN NICKEL.
- CABLES SHOULD MEET AMP DRAWING SPECIFICATIONS 520471-1.
- INSERTION DEPTH INTO RECEPTACLE.
- BULK CABLE ARE NOT AVAILABLE FROM AMP INC.
- CABLES SHOULD MEET AMP DRAWING SPECIFICATIONS 520475-1.
- CABLES SHOULD MEET AMP DRAWING SPECIFICATIONS 520477-1.
- CABLES SHOULD MEET AMP DRAWING SPECIFICATIONS 520473-1.
- FOR TERMINATION OF 24 AWG, 7 STRANDED, FLAT RIBBON CABLE WITH 1.27[.050] NOMINAL O.D. CONDUCTOR INSULATION PER LISTED DRAWING SPECIFICATIONS.

	32.11 [1.264]	24.76 [.975]	25.70 [1.012]	24.59 [.968]	16	E	8-5-1761184-6
	21.95 [.864]	14.60 [.575]	15.54 [.612]	14.43 [.568]	8	E	7-5-1761184-3
	19.40 [.764]	12.06 [.475]	13.00 [.512]	11.89 [.468]	6	E	9-5-1761184-2
	16.87 [.664]	9.52 [.375]	10.46 [.412]	9.35 [.368]	4	E	4-5-1761184-1
	16.87 [.664]	9.52 [.375]	10.46 [.412]	9.35 [.368]	4	D	4-4-1761184-1
	21.95 [.864]	14.60 [.575]	15.54 [.612]	14.43 [.568]	8	C	7-3-1761184-3
	19.40 [.764]	12.06 [.475]	13.00 [.512]	11.89 [.468]	6	C	9-3-1761184-2
	16.87 [.664]	9.52 [.375]	10.46 [.412]	9.35 [.368]	4	C	4-3-1761184-1
OBSOLETE	16.87 [.664]	9.52 [.375]	10.46 [.412]	9.35 [.368]	4	B	4-2-1761184-1
OBSOLETE	32.11 [1.264]	24.76 [.975]	25.70 [1.012]	24.59 [.968]	16	A	8-1-1761184-6
	21.95 [.864]	14.60 [.575]	15.54 [.612]	14.43 [.568]	8	A	7-1-1761184-3
	19.40 [.764]	12.06 [.475]	13.00 [.512]	11.89 [.468]	6	A	9-1-1761184-2
	16.87 [.664]	9.52 [.375]	10.46 [.412]	9.35 [.368]	4	A	4-1-1761184-1
	K	J	H	G	NO OF POSN	KEY I.D. LETTER	PART NO

THIS DRAWING IS A CONTROLLED DOCUMENT.

DIMENSIONS: mm [INCHES]	TOLERANCES UNLESS OTHERWISE SPECIFIED:	DIN 9 MCMASTER 21APR04	tyco Electronics Tyco Electronics Corporation Harrisburg, PA 17105-3608
0 PLC ± -	1 PLC ± -	CHK C. ROHDE 21APR04	NAME W. WALMSLEY 21APR04
2 PLC ± 0.25 [.010]	3 PLC ± -	APVD M. WALMSLEY 21APR04	PRODUCT SPEC 108-2047
4 PLC ± -	ANGLES ± -	APPLICATION SPEC 114-2086	SIZE CAGE CODE DRAWING NO RESTRICTED TO
MATERIAL 2	FINISH 3	WEIGHT -	A1 00779 1761184
CUSTOMER DRAWING		SCALE 5:1	SHEET 1 OF 1 REV A