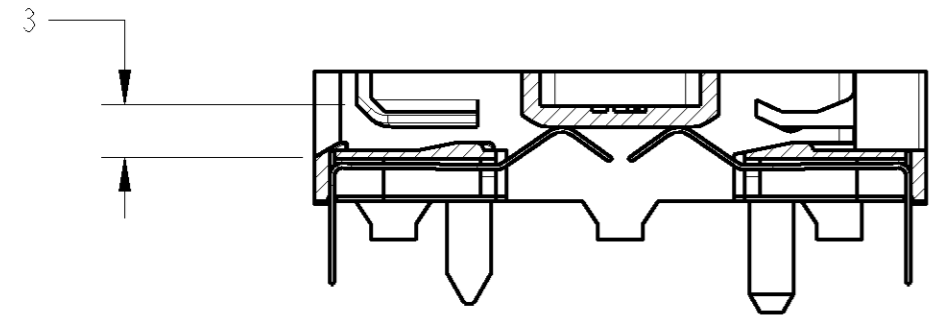
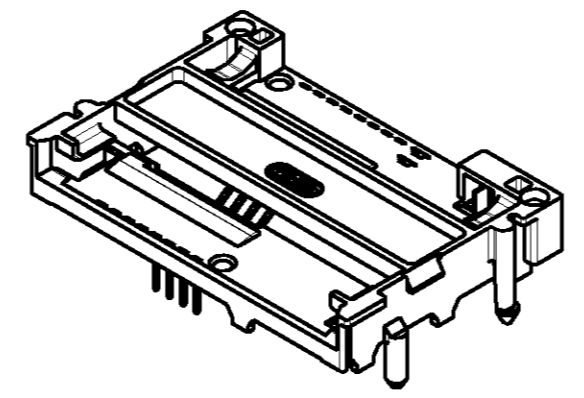


THIS DRAWING IS UNPUBLISHED. RELEASED FOR PUBLICATION  
 © COPYRIGHT - BY TYCO ELECTRONICS CORPORATION. ALL RIGHTS RESERVED.

LOC		DIST		REVISIONS			
P	LTR	DESCRIPTION	DATE	DWN	APVD		
	A	EH10-0478-04	16DEC2004	RC	PJ		

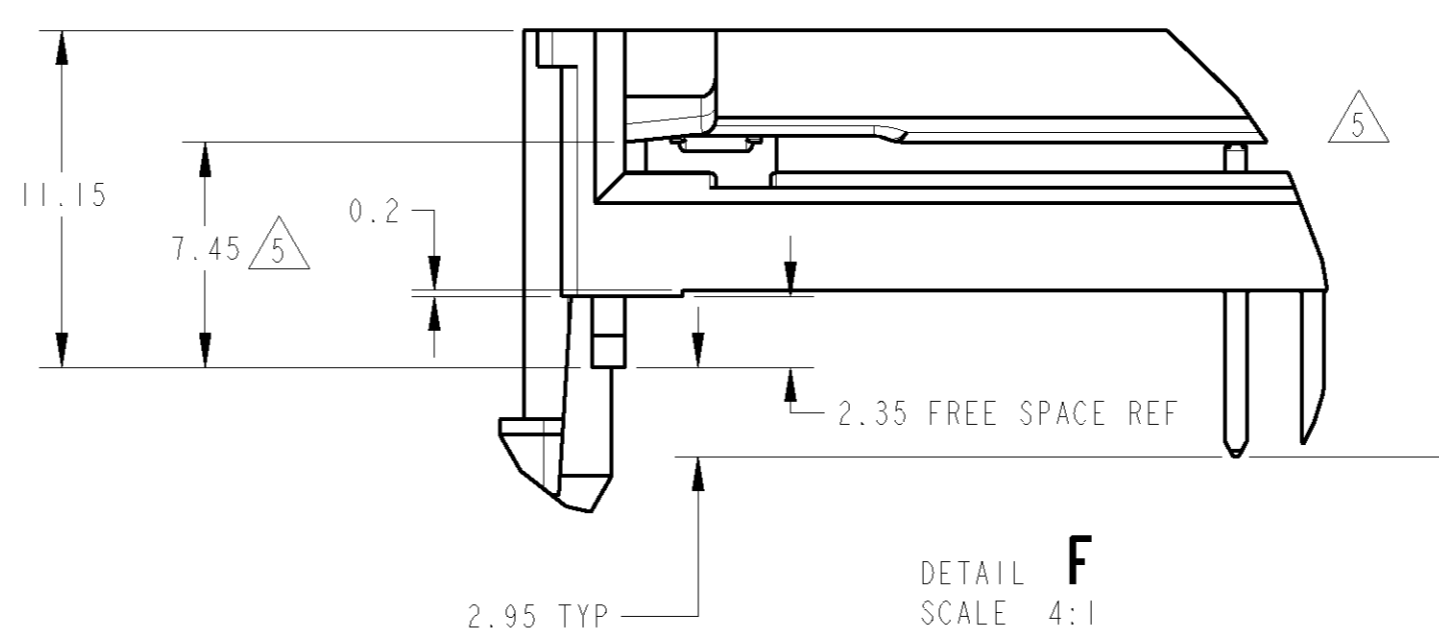
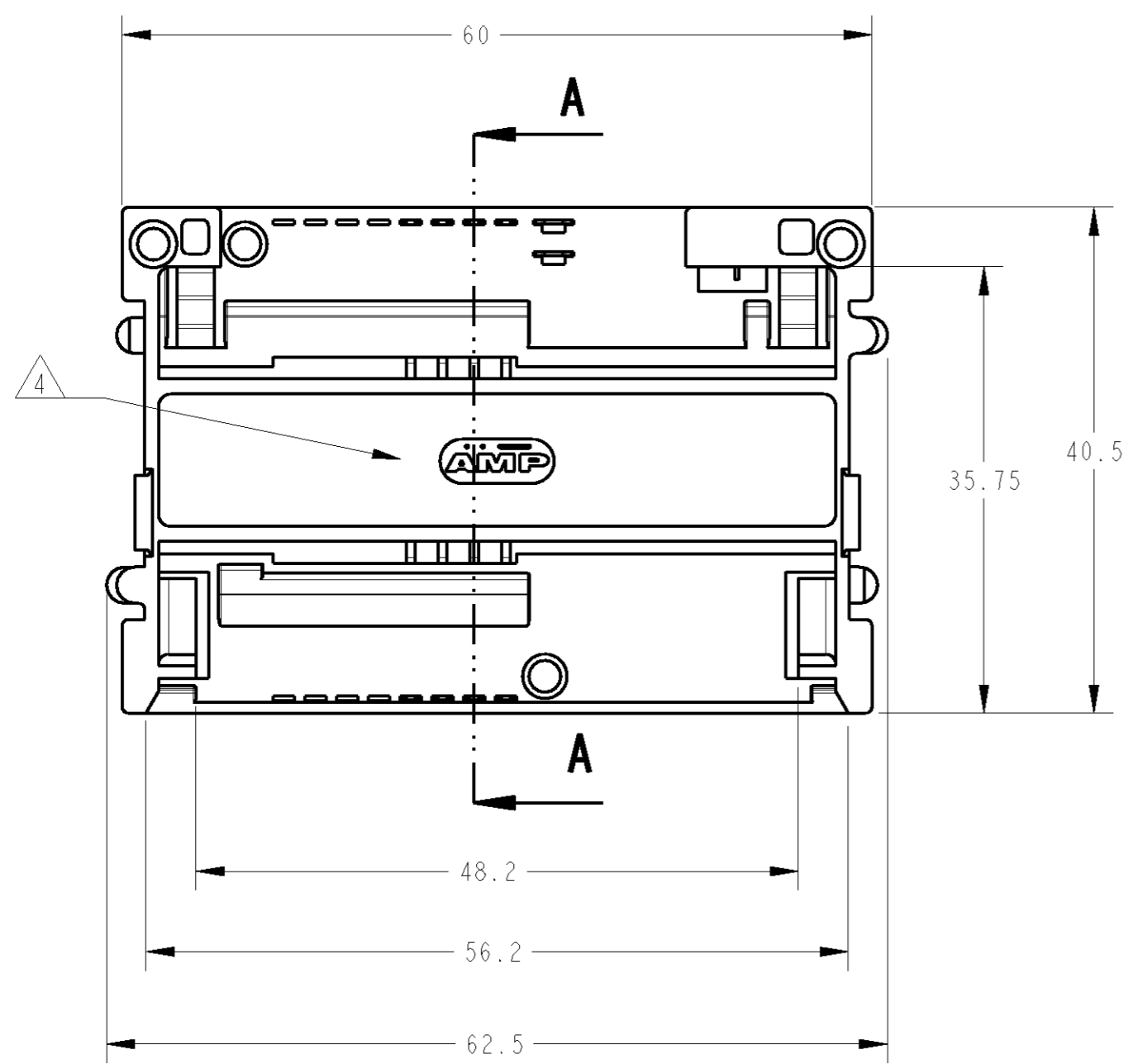
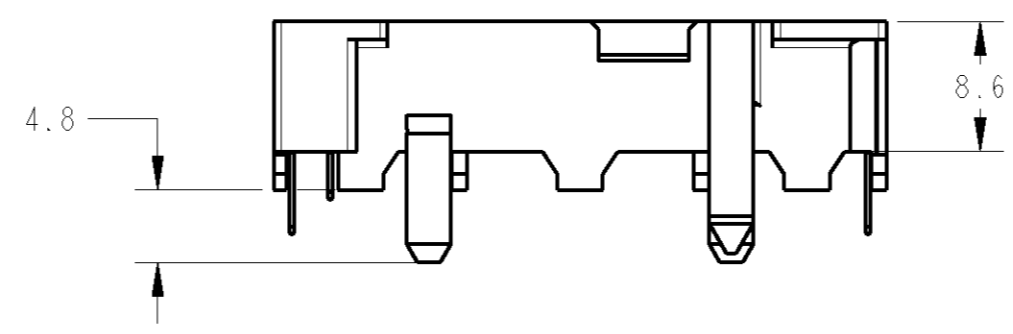
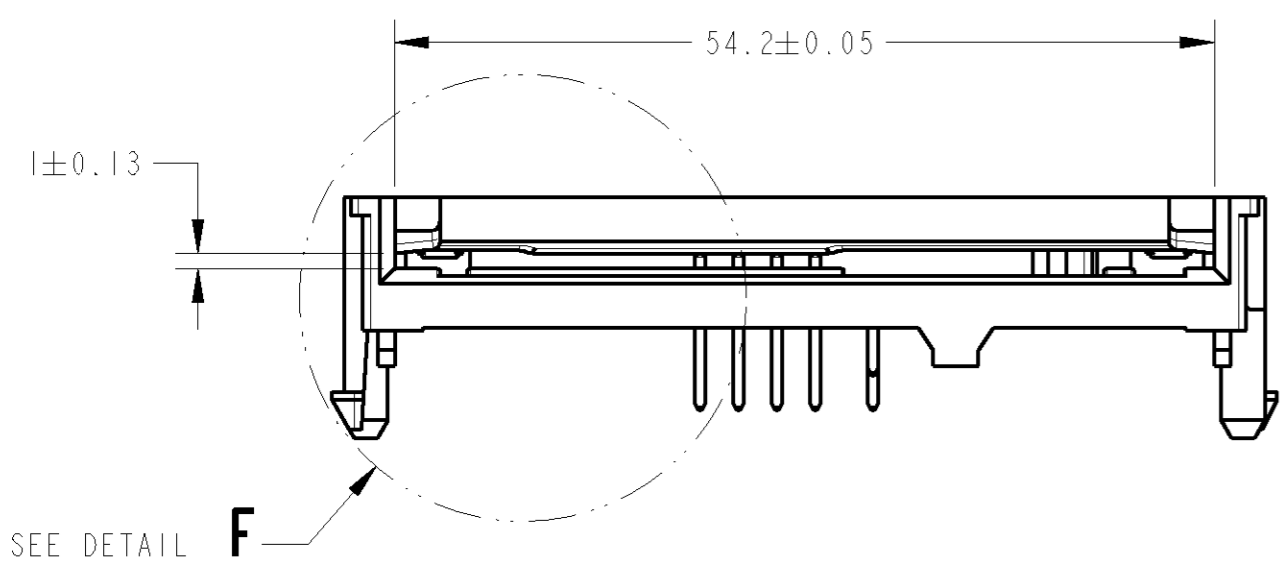


SECTION **A-A**



SCALE 1:1

- 1 SMART CARD READER : PBT G-F, BLACK UL 94V0  
 SIGNAL AND SWITCH CONTACTS : PHOSPHOR BRONZE.
- 2 ALL CONTACTS : 0.00076 GOLD ON MATING AREAS,  
 0.0025 TIN (LEADFREE/MATTE) ON SOLDERTAILS,  
 ALL OVER 0.001 NICKEL.
- 3 AMP SMART CARD RECEPTACLE DESIGNED TO ACCEPT  
 ISO 7810-7816 TYPE INTEGRATED CIRCUIT SMART  
 CARDS (0.76mm REF. THICKNESS)  
 SEE SHEET 2/2
- 4 LOGO SHAPE AND POSITION VARY DEPENDING ON  
 MOLD CAVITY NUMBER.
- 5 DIMENSION APPLICABLE IN CARD CONTACT AREA ONLY.  
 SURFACE VARY DEPENDING ON MOLD CAVITY NUMBER.

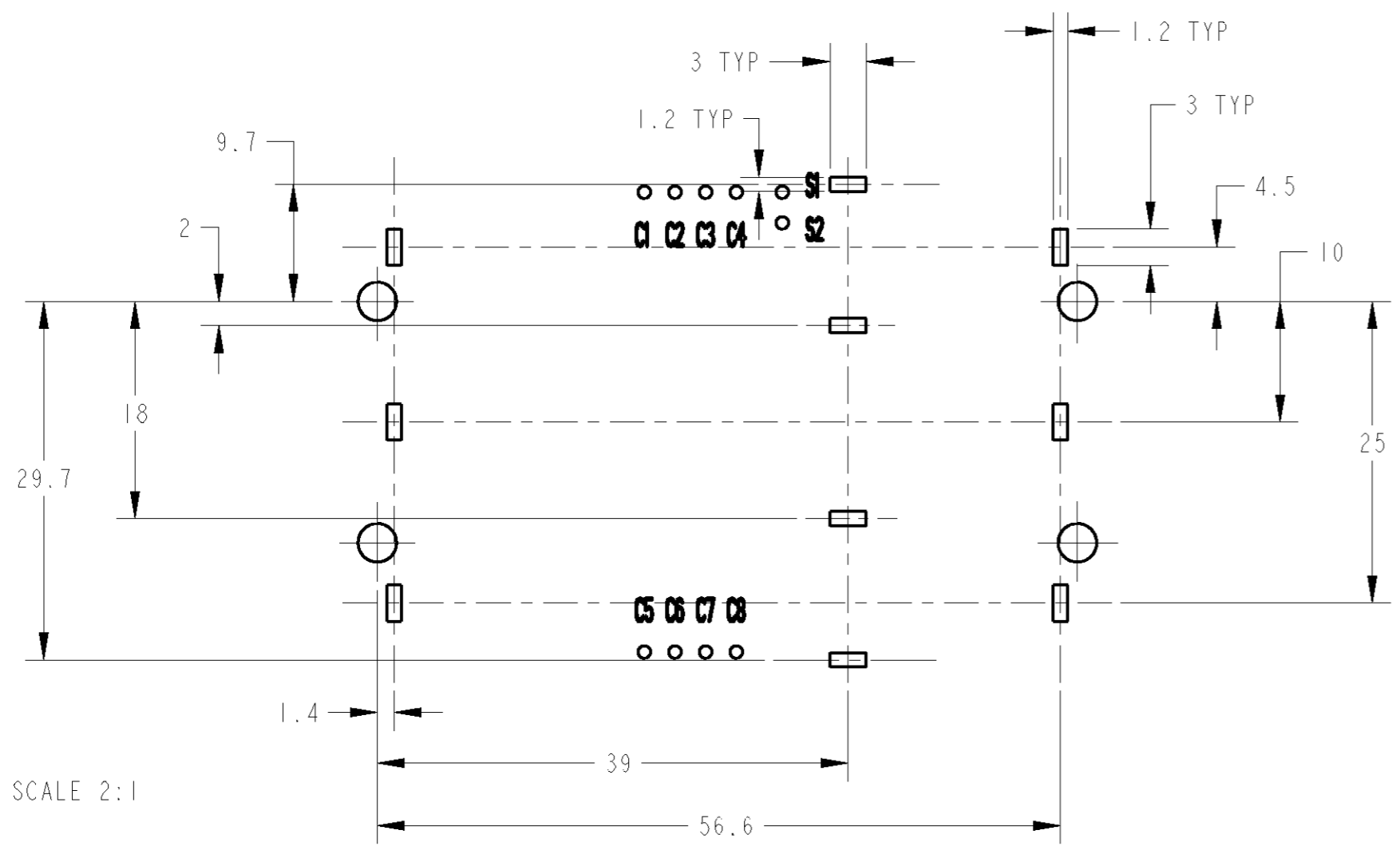


DETAIL **F**  
 SCALE 4:1

PartNumber: 5953438-1 8 POSITIONS  
 ISO 7816

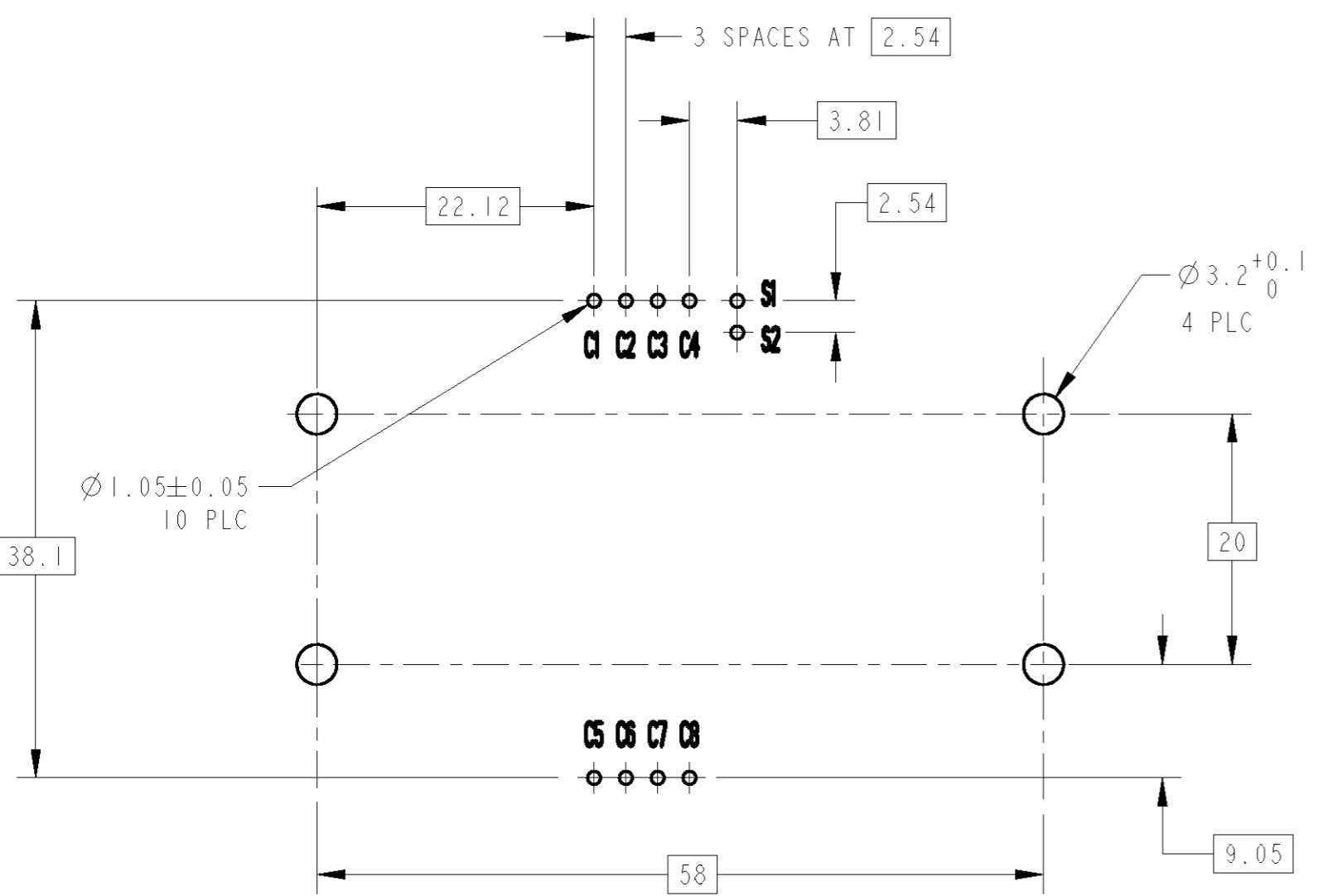
THIS DRAWING IS A CONTROLLED DOCUMENT FOR TYCO ELECTRONICS CORPORATION IT IS SUBJECT TO CHANGE AND THE CONTROLLING ENGINEERING ORGANIZATION SHOULD BE CONTACTED FOR THE LATEST REVISION.		DWN R. Coolen 16 Dec 04	TYCO ELECTRONICS NEDERLAND B.V. 's-HERTOGENBOSCH, THE NETHERLANDS	
DIMENSIONS: mm		CHK W. Jansen	NAME SMART CARD READER 0.76mm, PCB MOUNT THROUGH HOLE, RAISED PROFILE BLADE SWITCH NORMALLY CLOSED	
TOLERANCES UNLESS OTHERWISE SPECIFIED: 0 PLC ±0.5 1 PLC ±0.3 2 PLC ±0.03 3 PLC ±0.001 4 PLC ±0.0001 ANGLES ± FINISH		APVD P. Jaeger	PRODUCT SPEC 108-15202	RESTRICTED TO
MATERIAL		APPLICATION SPEC	SIZE A2	CAGE CODE 00779
1 -		WEIGHT 9 g	DRAWING NO G-5953438	REV A
2 -		CUSTOMER DRAWING		SCALE 2:1 SHEET 1 OF 2

THIS DRAWING IS UNPUBLISHED. RELEASED FOR PUBLICATION  
 © COPYRIGHT - BY TYCO ELECTRONICS CORPORATION. ALL RIGHTS RESERVED.



SCALE 2:1

STANDOFF AREA  
 SPACE WITHOUT COMPONENTS  
 (CONNECTOR SIDE)

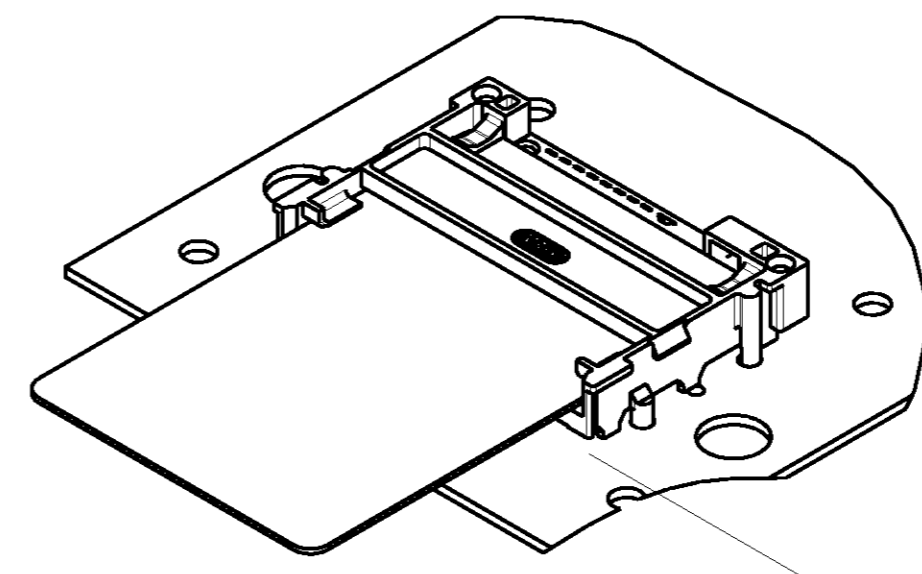


POSITION TOLERANCE FOR ALL HOLES  $\pm \phi 0.1$

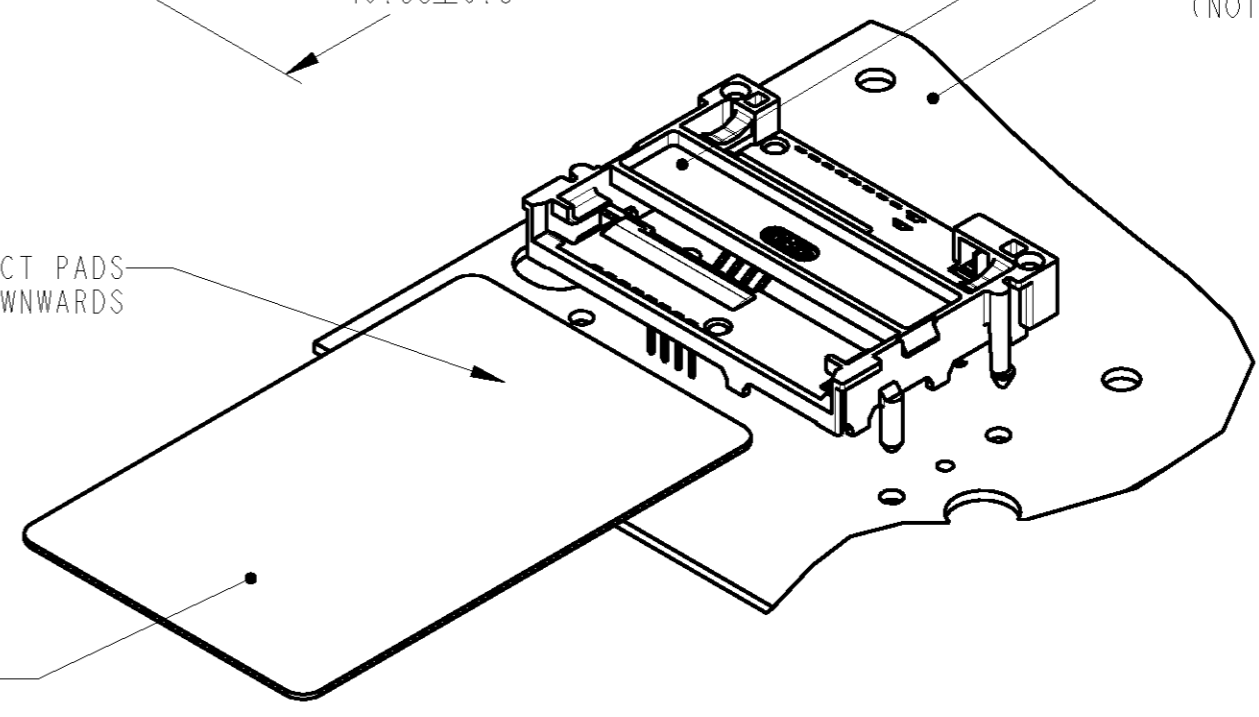
PC BOARD THICKNESS  $1.57 \pm 0.1$  (.062)  
 (CONNECTOR SIDE)

RECOMMENDED PCB LAYOUT

LOC	DIST	REVISIONS					
H	-	P	LTR	DESCRIPTION	DATE	DWN	APVD
		-		SEE SHEET 1	-	-	-



SCALE 1:1



SCALE 1:1

PCB MOUNTING CONFIGURATION

THIS DRAWING IS A CONTROLLED DOCUMENT FOR TYCO ELECTRONICS CORPORATION IT IS SUBJECT TO CHANGE AND THE CONTROLLING ENGINEERING ORGANIZATION SHOULD BE CONTACTED FOR THE LATEST REVISION.		DWN R. Coolen 16 Dec 04	TYCO ELECTRONICS NEDERLAND B.V. 's-HERTOGENBOSCH, THE NETHERLANDS	
DIMENSIONS: mm		CHK W. Jansen	NAME SMART CARD READER 0.76mm, PCB MOUNT THROUGH HOLE, RAISED PROFILE BLADE SWITCH NORMALLY CLOSED	
TOLERANCES UNLESS OTHERWISE SPECIFIED: 0 PLC ±0.5 1 PLC ±0.3 2 PLC ±0.03 3 PLC ±0.001 4 PLC ±0.0001 ANGLES ±		APVD P. Jaeger	PRODUCT SPEC -	
MATERIAL		APPLICATION SPEC -	SIZE A2	
FINISH		WEIGHT -	CAGE CODE 00779	
-		CUSTOMER DRAWING	DRAWING NO G=5953438	
		SCALE 2:1	RESTRICTED TO -	
		SHEET 2	OF 2	
		REV A		