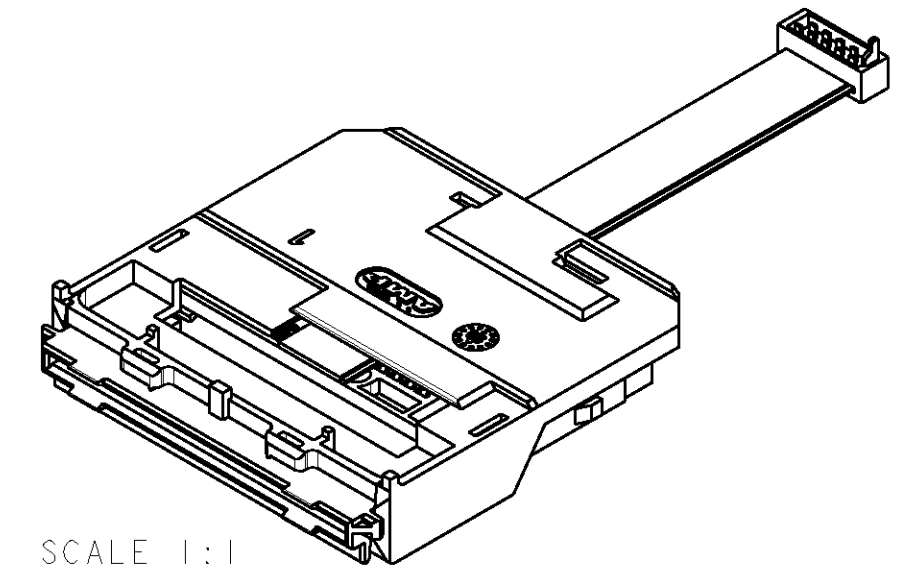
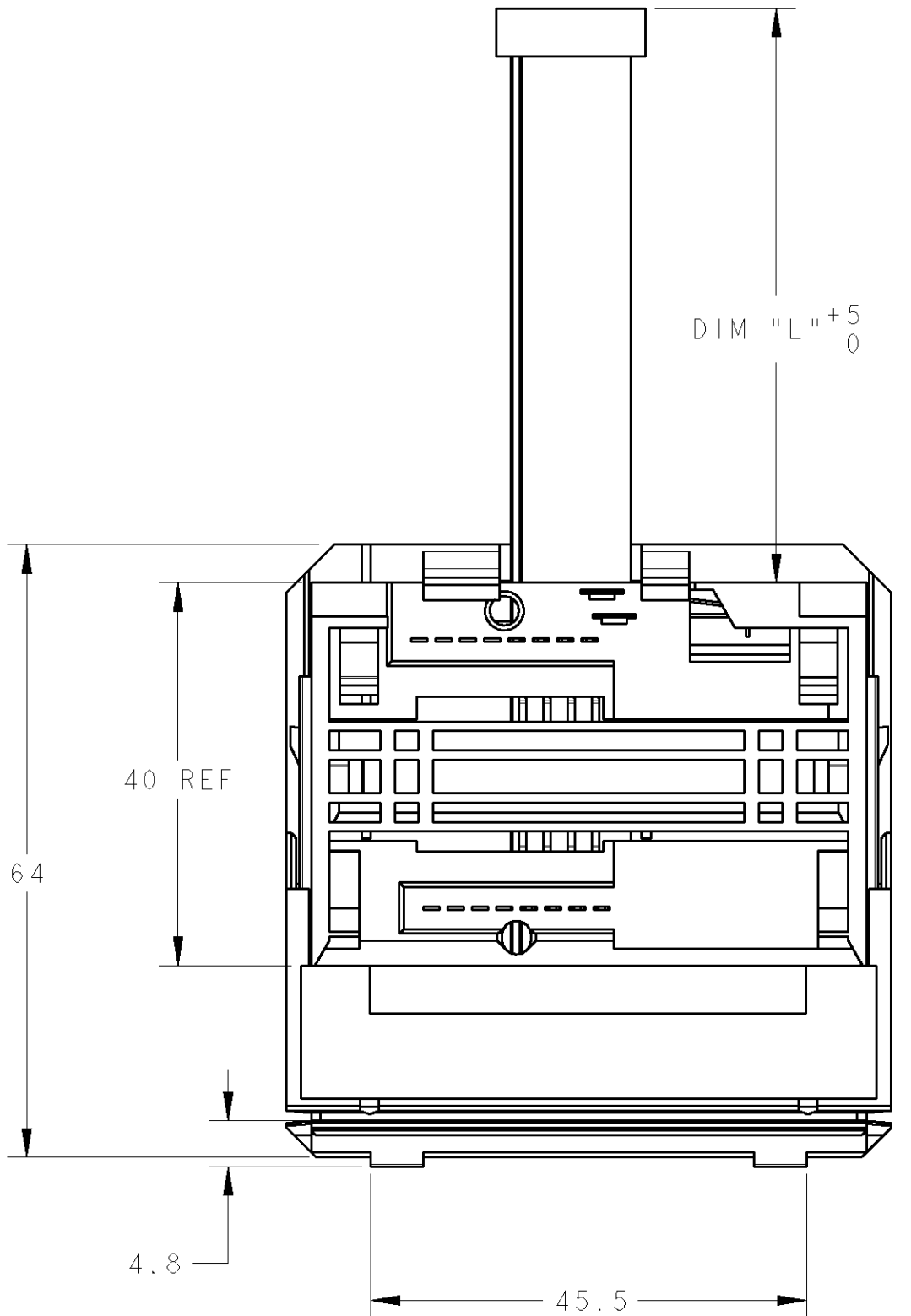
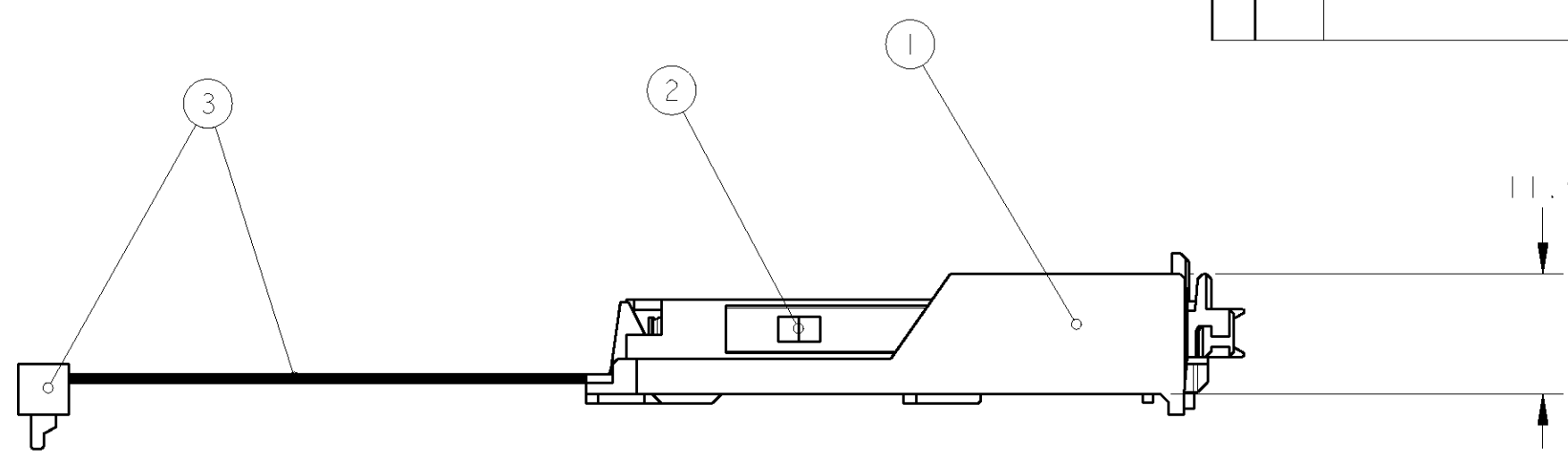
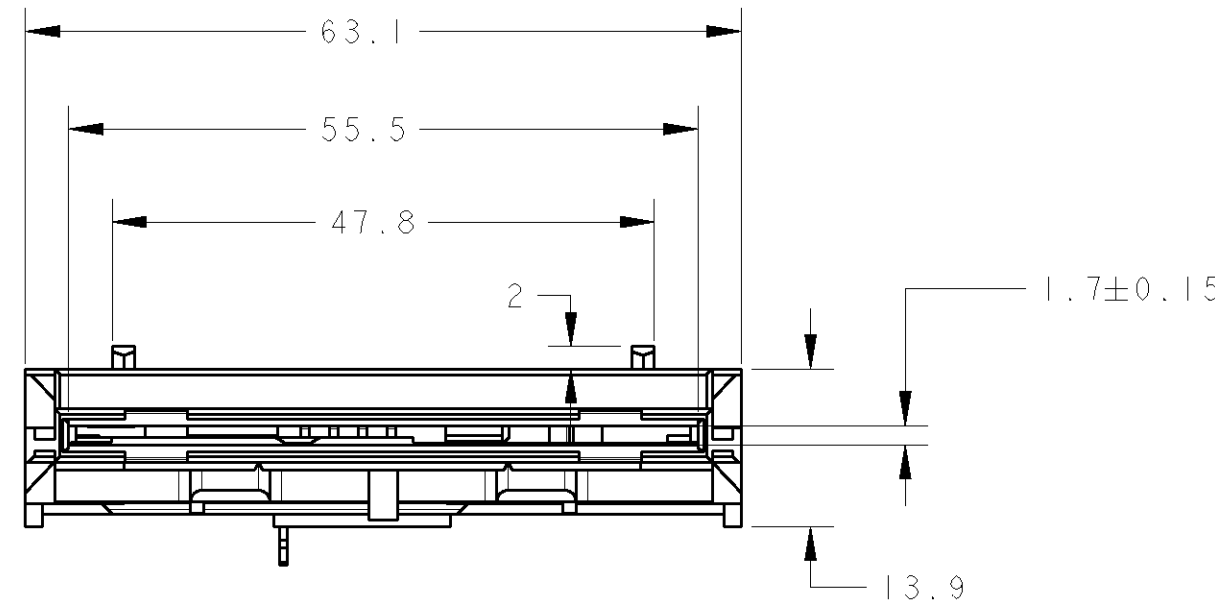


RELEASED FOR PUBLICATION
 BY TYCO ELECTRONICS CORPORATION. ALL RIGHTS RESERVED.

LOC	DIST	REVISIONS					
H	-	P	LTR	DESCRIPTION	DATE	DWN	APVD
		A		EH10-0478-04	06DEC2004	RC	PJ
		AI		EH10-0156-05	02FEB2005	RC	PJ



- ① SMART CARD READER : PBT G-F, BLACK, UL 94V0
 FIXING FRAME : ABS, BLACK, UL 94V0
 SIGNAL AND SWITCH CONTACTS : PHOSPHOR BRONZE.
- ② ALL CONTACTS : 0.00076 GOLD ON MATING AREAS,
 0.0025 TIN (LEADFREE/MATTE) ON SOLDER TAILS,
 ALL OVER 0.001 NICKEL.
- ③ AMP P/N'S ASS'Y :
 - 5953497-1/-3/-5/-6/-8/1--0 8 POSITIONS ISO 7816
 - 5953497-2/-4/-7 16 POSITIONS ISO/CP8 AFNOR
- ④ UL STYLE 2651 RIBBON CABLE PVC AND,
 10 POSITIONS MICRO-MATCH CONNECTOR;
 TO BE MATED WITH
 I-215079-0 THROUGH HOLE VERSION OR I-188275-0 SMT VERSION
- ⑤ AMP SMART CARD RECEPTACLE DESIGNED TO ACCEPT ISO 7810-7816 TYPE
 INTEGRATED CIRCUIT SMART CARDS (0.76MM REF. THICKNESS)
 SEE SHEET 2/2
- ⑥ CONNECTOR MEETS EMV REQUIREMENTS

	-	-			-	-	-	-	-	RIBBON CABLE ASS'Y, L = 70mm	3
	-	-	-	-		-	-	-	-	RIBBON CABLE ASS'Y, L = 130mm	3
	-	-	-	-	-		-	-	-	RIBBON CABLE ASS'Y, L = 140mm	3
			-	-	-	-		-	-	RIBBON CABLE ASS'Y, L = 100mm	3
	-	-	-	-	-	-	-			RIBBON CABLE ASS'Y, L = 60mm	3
			-			-		-		SMART CARD READER ASS'Y : 8 POS.	2
	-	-		-	-		-		-	SMART CARD READER ASS'Y : 16 POS.	2
										FIXING FRAME -2	1
ASS'Y P/N 5953497 ③	1-0	-8	-7	-6	-5	-4	-3	-2	-1	DESCRIPTION	ITEM
	⑥										

THIS DRAWING IS A CONTROLLED DOCUMENT FOR TYCO ELECTRONICS CORPORATION
 IT IS SUBJECT TO CHANGE AND THE CONTROLLING ENGINEERING ORGANIZATION
 SHOULD BE CONTACTED FOR THE LATEST REVISION

DWN: R. Coolen 06-Dec-04
 CHK: P. Jaeger
 APVD: P. Jaeger

TYCO Electronics TYCO ELECTRONICS NEDERLAND B.V.
 's-HERTOGENBOSCH, THE NETHERLANDS

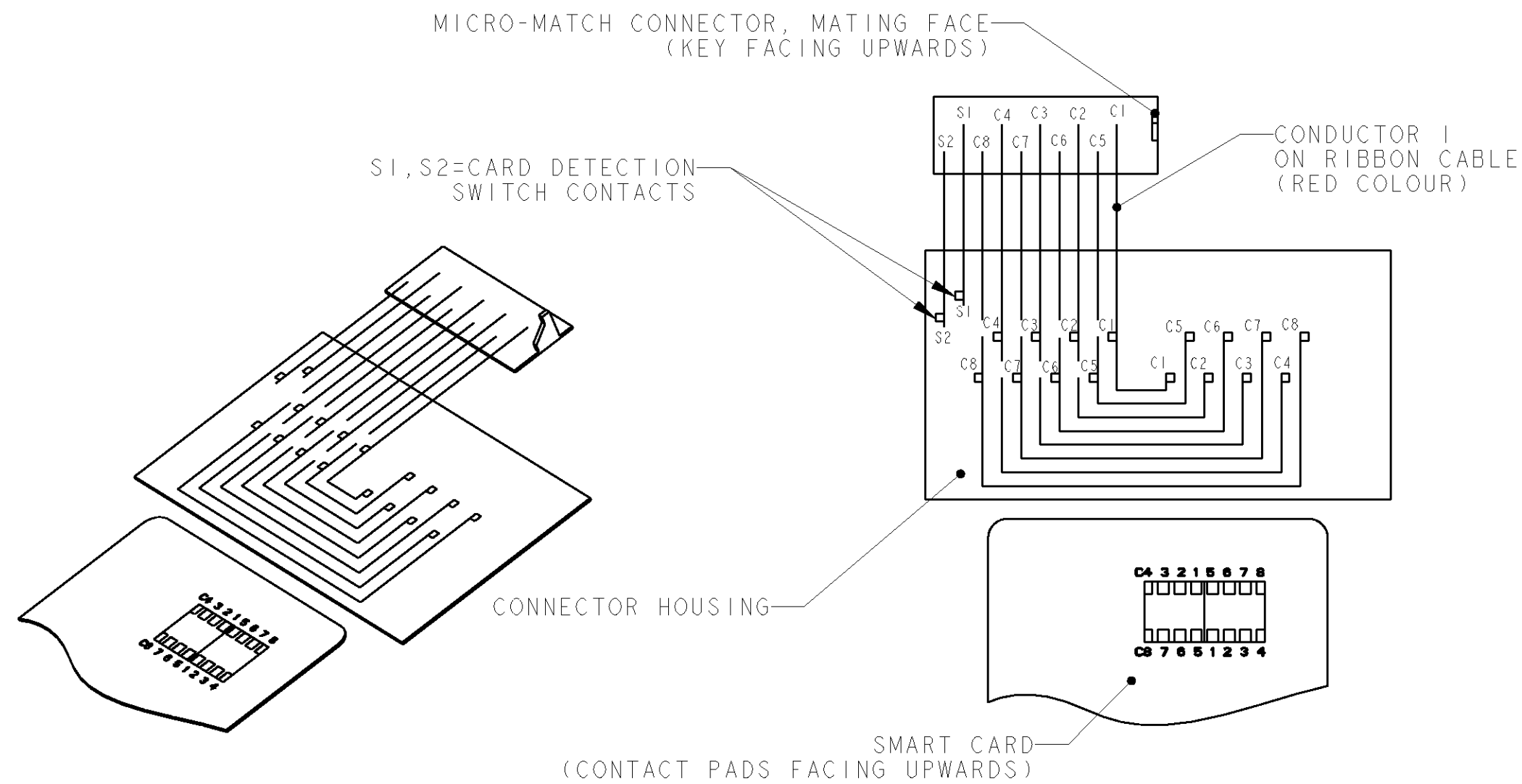
NAME: SMART CARD READER 0.76 mm;
 PANEL MOUNT WITH CABLE
 BLADE SWITCH, NORMALLY CLOSED

SIZE: A2 CAGE CODE: 00779 DRAWING NO: 5953497 RESTRICTED TO: -

MATERIAL: ① - FINISH: ② - WEIGHT: -

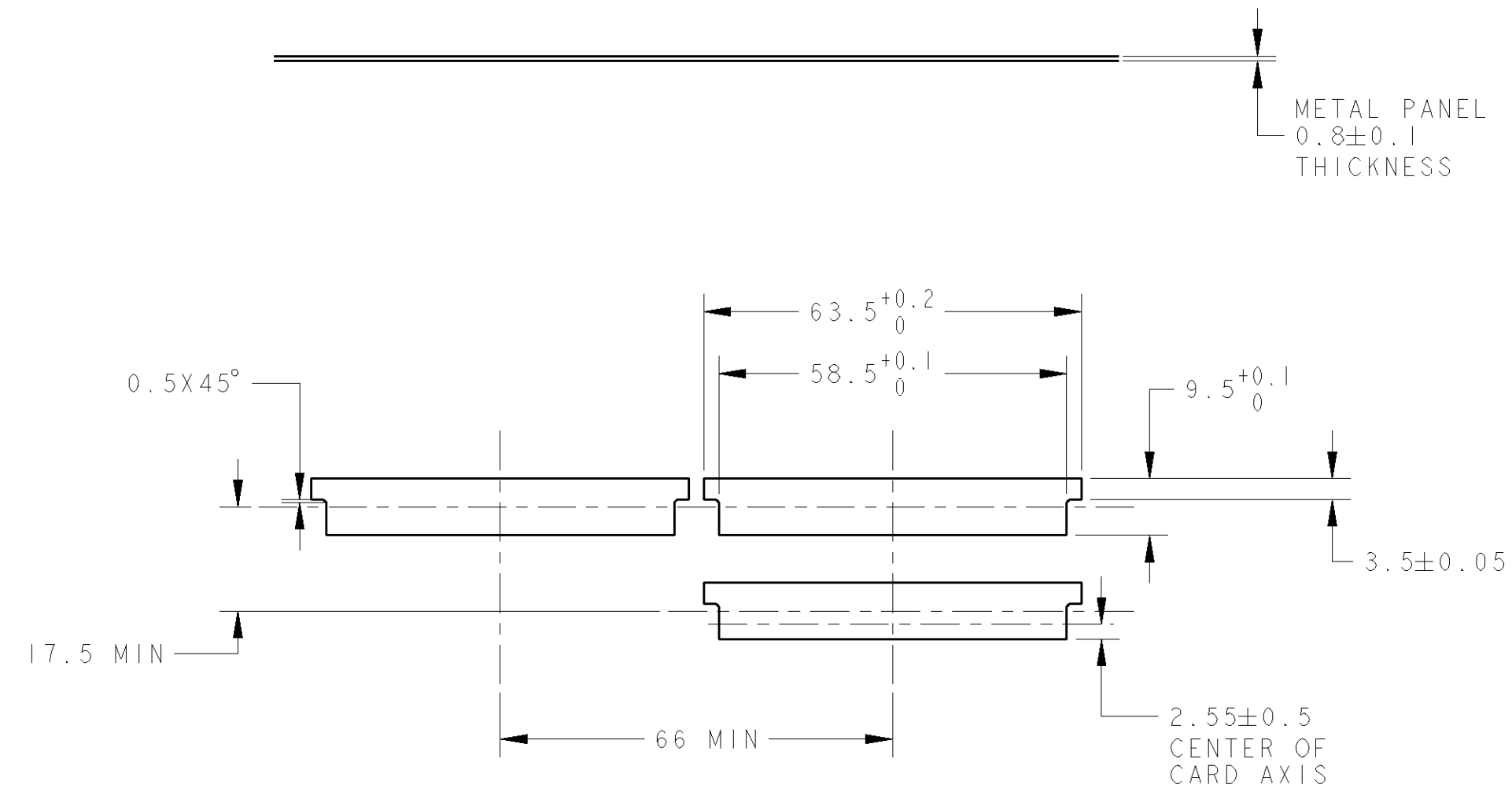
CUSTOMER DRAWING SCALE: 3:2 SHEET 1 OF 2 REV: AI

THIS DRAWING IS UNPUBLISHED. RELEASED FOR PUBLICATION
 © COPYRIGHT - BY TYCO ELECTRONICS CORPORATION. ALL RIGHTS RESERVED.



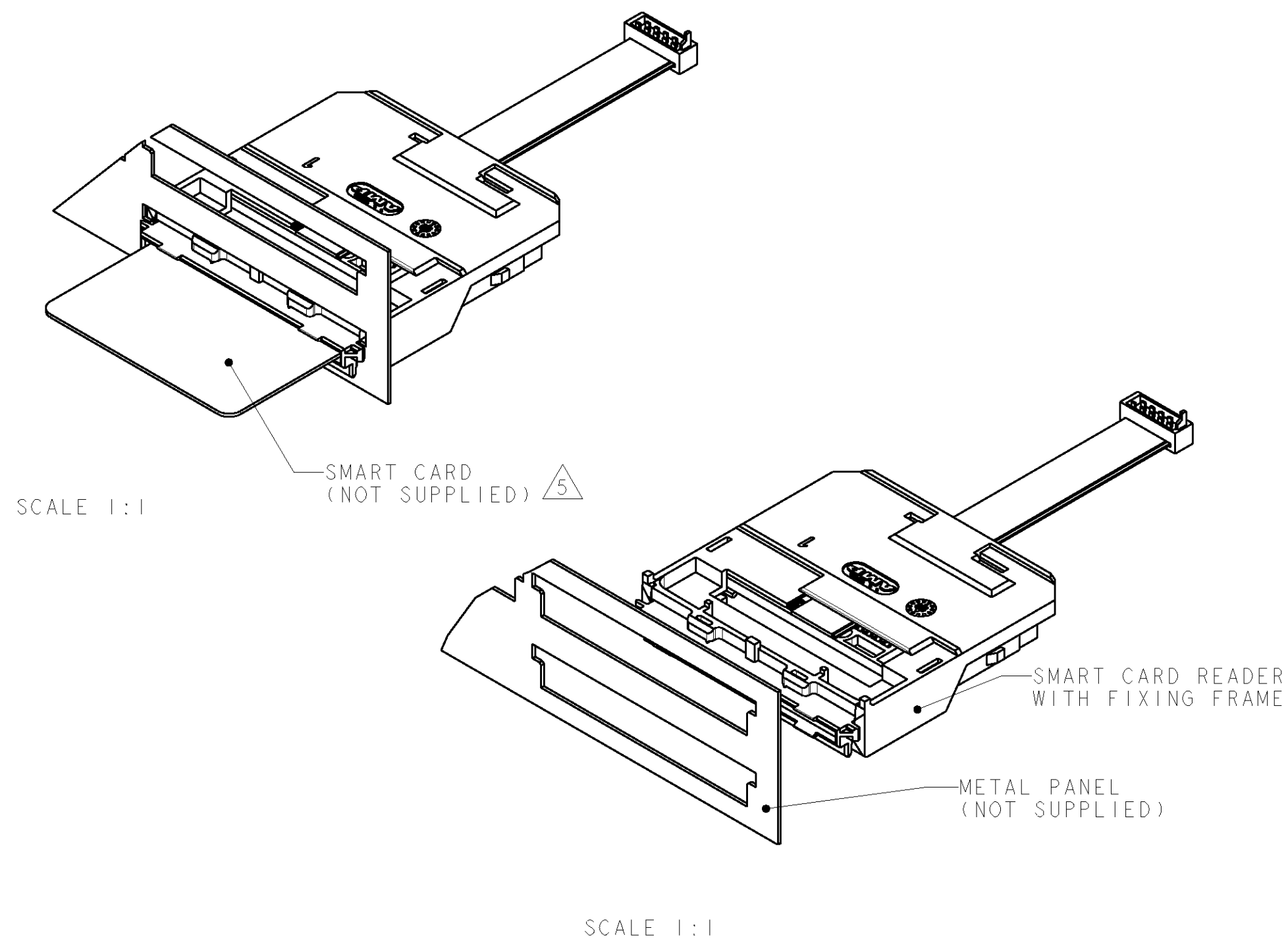
ELECTRICAL DIAGRAM

SMART CARD READER, MOUNTING DIRECTION AND RECOMMENDED PUNCHING DIRECTION



SCALE 1:1
 RECOMMENDED METAL PANEL CUT-OUT

LOC	DIST	REVISIONS					
H	-	P	LTR	DESCRIPTION	DATE	DWN	APVD
		-		SEE SHEET 1			



PANEL MOUNTING CONFIGURATION

THIS DRAWING IS A CONTROLLED DOCUMENT FOR TYCO ELECTRONICS CORPORATION. IT IS SUBJECT TO CHANGE AND THE CONTROLLING ENGINEERING ORGANIZATION SHOULD BE CONTACTED FOR THE LATEST REVISION.		DWN	R. Coolen	06-Dec-04		TYCO ELECTRONICS NEDERLAND B.V.	
		CHK	P. Jaeger			's-HERTOGENBOSCH, THE NETHERLANDS	
		APVD	P. Jaeger		NAME	SMART CARD READER 0,76 mm; PANEL MOUNT WITH CABLE BLADE SWITCH, NORMALLY CLOSED	
DIMENSIONS: mm		TOLERANCES UNLESS OTHERWISE SPECIFIED:		PRODUCT SPEC	SIZE	CAGE CODE	DRAWING NO
0 PLC ±0,5 1 PLC ±0,3 2 PLC ±0,13 3 PLC ±0,013 4 PLC ±0,0001 ANGLES ±		APPLICATION SPEC		WEIGHT	A2	00779	G-5953497
MATERIAL		FINISH		CUSTOMER DRAWING	SCALE	SHEET	OF
					3:2	2	2
					REV	A1	