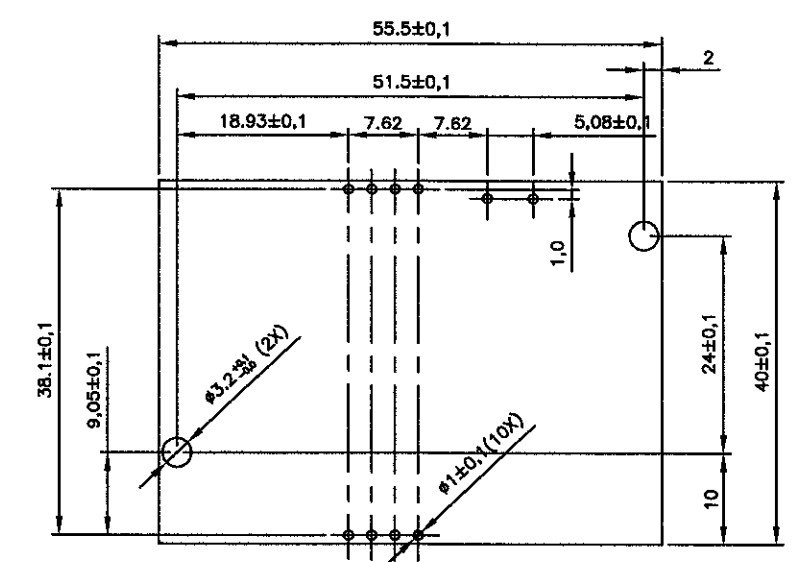
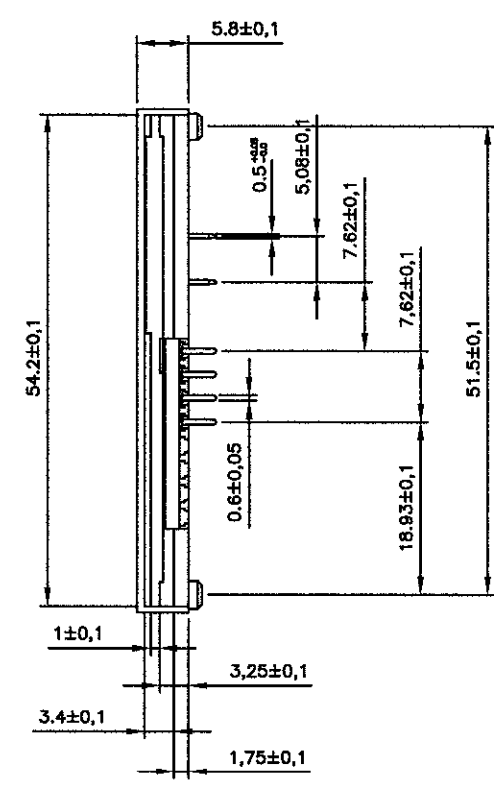
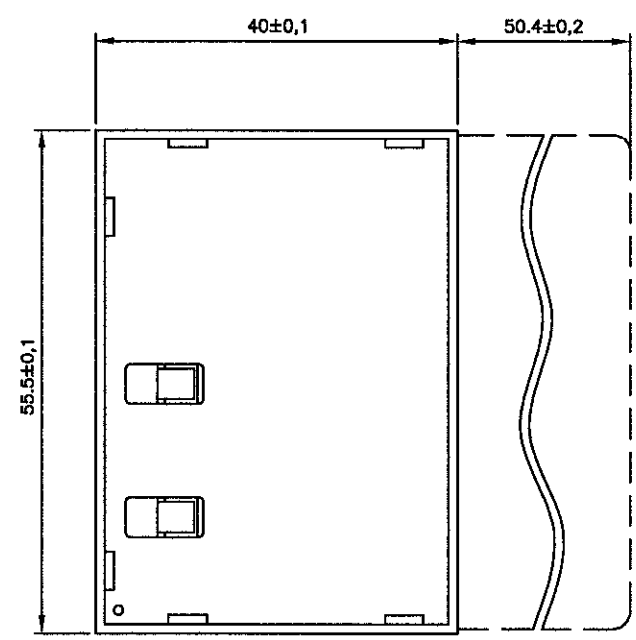
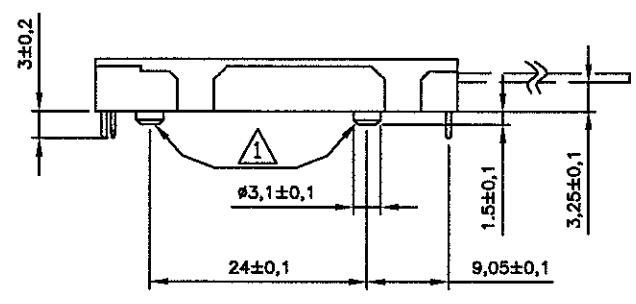


DO NOT SCALE  
DIMENSIONS IN mm

METRIC



PCB LAYOUT



TYCO PN.	DESCRIPTION
1705054-1	SMART CARD READER WITHOUT LOCATION PEGS
1705054-2	SMART CARD READER WITH LOCATION PEGS

CUSTOMER DRAWING				
THIS DRAWING IS A CONTROLLED DOCUMENT FOR TYCO ELECTRONICS CORP. IT IS SUBJECT TO CHANGE AND THE CONTROLLING ENGINEERING ORGANIZATION SHOULD BE CONTACTED FOR THE LATEST REVISION				
<b>tyco</b> Electronics		TYCO ELECTRONICS NEDERLAND B.V. 's-HERTOGENBOSCH, THE NETHERLANDS		
B	EH01-0758-03	PW	DH	24-06-03
A	EH01-0132-03	PW	DH	03-02-03
LTR.	REVISION RECORD	DR.	CHK.	DATE
DR.: P.Willems	CHK.: D.Halberstadt	APP.: EL	DWG.No. 1705054	
DATE: 28-8-02	DATE: 28-8-02	DATE: 28-8-02	RESTR. TO	REV.LTR. B
			SHEET 1 OF 1	A3