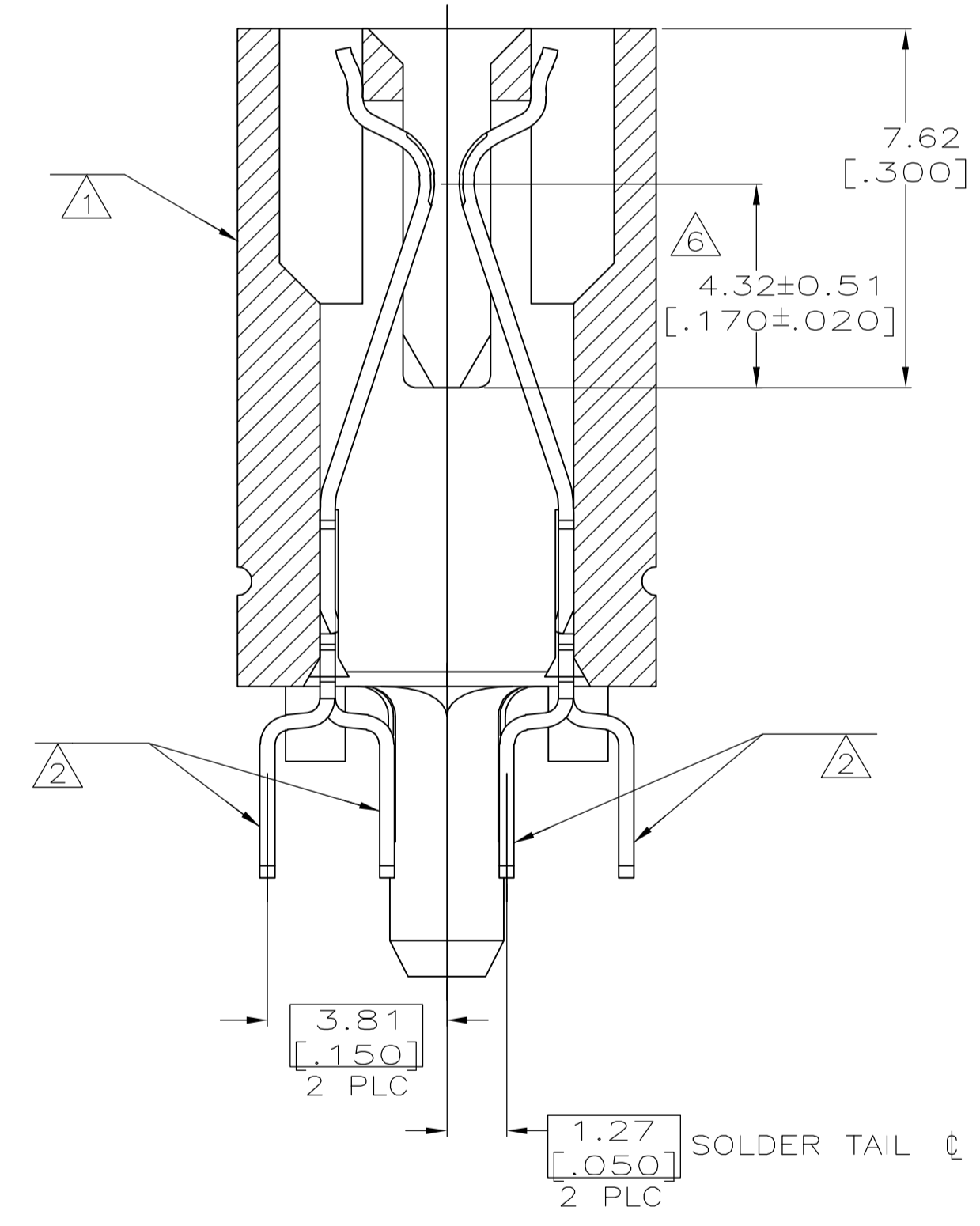
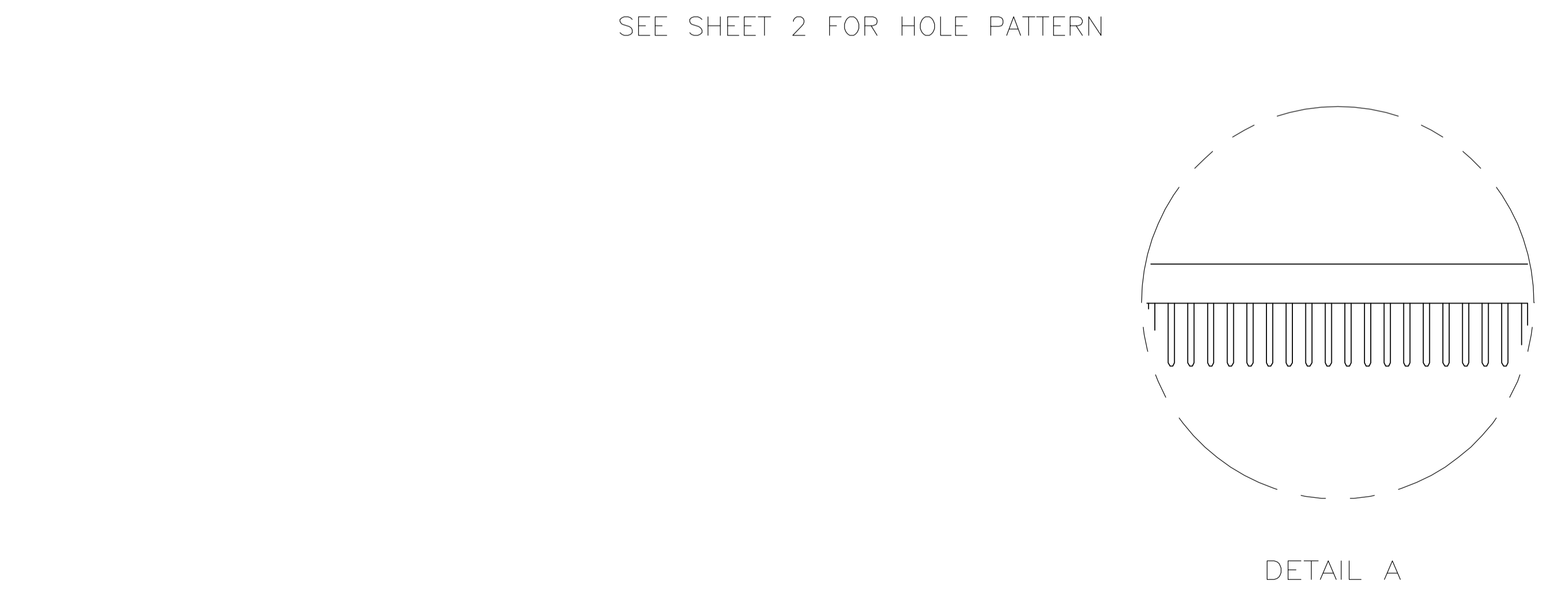


- ① HOUSING: HIGH TEMPERATURE THERMOPLASTIC. COLOR - NATURAL
- ② CONTACT: PHOSPHOR BRONZE.
- ③ CONTACT FINISH: .001269[.000050] MIN NICKEL ALL OVER. GOLD FLASH OVER NICKEL IN CONTACT AREA. .002537[.000100] MIN TIN OVER NICKEL ON SOLDER TAILS.
- ④ CONTACT FINISH: .001269[.000050] MIN NICKEL ALL OVER. .000375[.000015] MIN GOLD OVER NICKEL IN CONTACT AREA. .002537[.000100] MIN TIN OVER NICKEL ON SOLDER TAILS.
- ⑤ CONTACT FINISH: .001269[.000050] MIN NICKEL ALL OVER. .000757[.000030] MIN GOLD OVER NICKEL IN CONTACT AREA. .002537[.000100] MIN TIN OVER NICKEL ON SOLDER TAILS.
- ⑥ DISTANCE FROM CONTACT POINT TO BOTTOM OF CARD SLOT.
- ⑦ AMP PART NUMBER, DATE CODE AND CSA LOGO MARKED IN APPROXIMATE LOCATION SHOWN.
- ⑧ CORED OR SOLID SIDE WALLS ARE AT DISCRETION OF AMP INCORPORATED.



3.56 [.140]	⑤	1-5145154-2
3.18 [.125]	⑤	5145154-8
2.54 [.100]	⑤	5145154-4
2.54 [.100]	④	5145154-2
2.54 [.100]	③	5145154-1

OBSOLETE

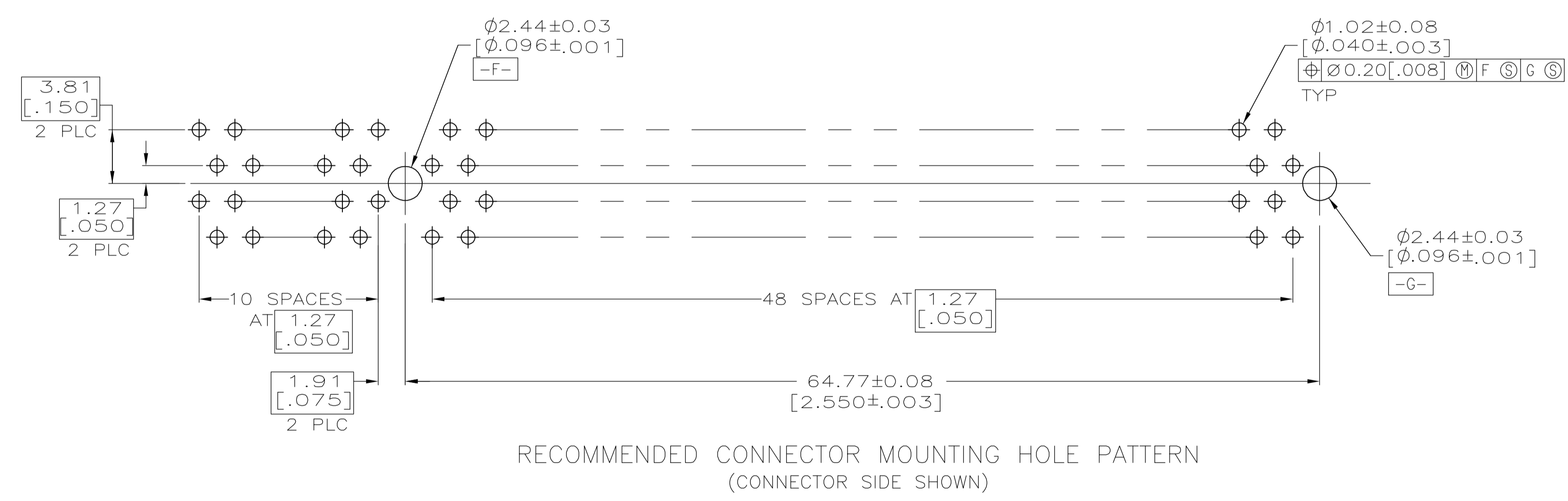
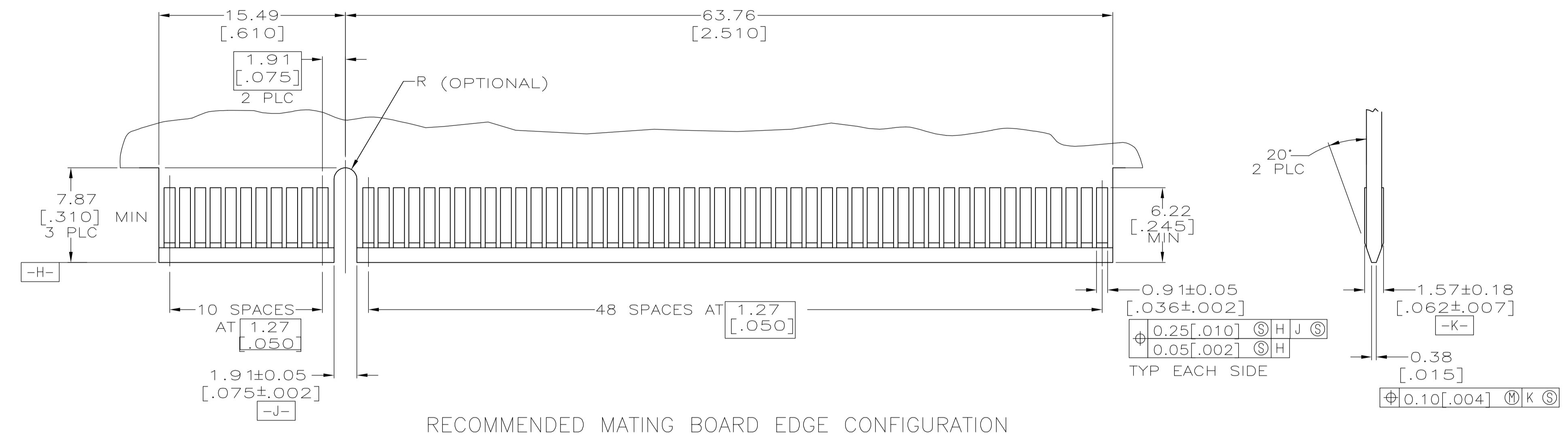
W	FINISH	PART NUMBER
---	--------	-------------

THIS DRAWING IS A CONTROLLED DOCUMENT.

DIMENSIONS: mm [INCHES]	TOLERANCES UNLESS OTHERWISE SPECIFIED:	0 PLC ± -	1 PLC ± -	2 PLC ± .25[.01]	3 PLC ± .125 [.005]	4 PLC ± -	ANGLES ± # 2
MATERIAL		FINISH		WEIGHT		CUSTOMER DRAWING	

APVD	AL FRANTUM	20 MAY 04
CHK	AL FRANTUM	20 MAY 04
NAME	Tyco Electronics Corporation Harrisburg, Pa 17105-3608	
PRODUCT SPEC	108-14034	
APPLICATION SPEC	114-26012	
SIZE	CAGE CODE	DRAWING NO
A1	00779	5145154
SCALE	SHEET	REV
4:1	1 OF 2	A

RESTRICTED TO



THIS DRAWING IS A CONTROLLED DOCUMENT.		DIN: AL FRANTUM 20 MAY 04 CHK: AL FRANTUM 20 MAY 04 APVD:	tyco Electronics Tyco Electronics Corporation Harrisburg, Pa 17105-3608
DIMENSIONS: mm [INCHES]	TOLERANCES UNLESS OTHERWISE SPECIFIED: 0 PLC ± - 1 PLC ± - 2 PLC ± .25 [.01] 3 PLC ± .125 [.005] 4 PLC ± - ± % ANGLES ± - ± %	PRODUCT SPEC: 108-14034 APPLICATION SPEC: 114-26012	NAME: CONNECTOR ASSEMBLY, 60 DUAL POSITION, 1.27 [.050] SERIES, CARD EDGE SIZE: A1 SCALE: 4:1 SHEET: 2 OF 2 REV: A
MATERIAL:	FINISH:	WEIGHT: A100779C=5145154 CUSTOMER DRAWING	RESTRICTED TO: -