

## Features

### Mechanical time switches - daily time setting

- Type 12.01 - 1 Pole 16 A CO (SPDT)  
35.8 mm width
- Type 12.11 - 1 Pole 16 A NO (SPST-NO)  
17.6 mm width
- Minimum time interval setting:  
30 min (12.01)  
15 min (12.11)
- 35 mm rail (EN 50022) mount

### 12.01

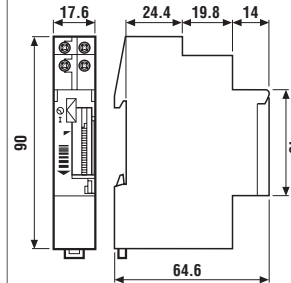
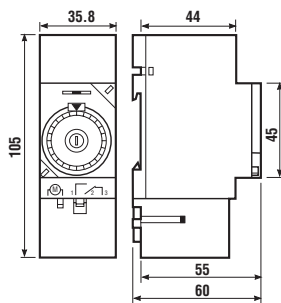
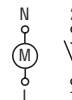
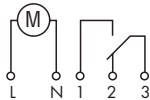


- Mechanical daily time switch
- 1 CO (SPDT)
- 35 mm rail (EN 50022) mount

### 12.11



- Mechanical daily time switch
- 1 NO (SPST-NO)
- 35 mm rail (EN 50022) mount



<b>Contact specification</b>			
Contact configuration		1 CO (SPDT)	1 NO (SPST-NO)
Rated current/Maximum peak current	A	16/—	16/30
Rated voltage/Maximum switching voltage V AC		250/—	250/—
Rated load AC1	VA	4,000	4,000
Rated load AC15 (230 V AC)	VA	750	420
Nominal lamp rating:incandescent (230 V)	W	2,000 (NO contact)	2,000
compensated fluorescent (230 V)	W	750 (NO contact)	750
uncompensated fluorescent (230 V)	W	1,000 (NO contact)	1,000
halogen (230 V)	W	2,000 (NO contact)	2,000
Minimum switching load	mW (V/mA)	1,000 (10/10)	1,000 (10/10)
Standard contact material		AgCdO	AgCdO
<b>Supply specification</b>			
Nominal voltage (U <sub>N</sub> )	V AC (50/60 Hz)	230	230
	V DC	—	—
Rated power AC/DC	VA (50 Hz)/W	2/—	2/—
Operating range	AC (50 Hz)	(0.85...1.1)U <sub>N</sub>	(0.85...1.1)U <sub>N</sub>
	DC	—	—
<b>Technical data</b>			
Electrical life at rated load in AC1	cycles	50 · 10 <sup>3</sup>	50 · 10 <sup>3</sup>
Type of time switch		daily	daily
Programs		48 switching point	96 switching point
Minimum interval setting	min	30	15
Accuracy	s/day	1.5	1.5
Ambient temperature range	°C	-5...+55	-5...+55
Protection category		IP 20	IP 20
<b>Approvals</b> (according to type)			

## Features

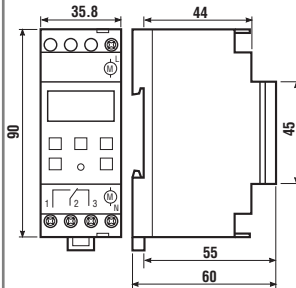
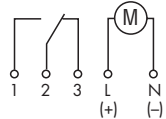
### Electronic digital time switches - weekly time setting

- Type 12.21 - 1 Pole 16 A CO (SPDT)  
35.8 mm width
- Type 12.22 - 2 Pole 16 A CO (DPDT)  
35.8 mm width
- Type 12.71 - 1 Pole 16 A CO (SPDT)  
17.6 mm width
- Available for 230 V AC or 24 V AC/DC supply
- Minimum time interval setting - 1 minute
- Internal battery for set-up without supply
- Impulse output function (1...59)s
- Automatic adjustment for daylight saving
- 35 mm rail (EN 50022) mount

### 12.21



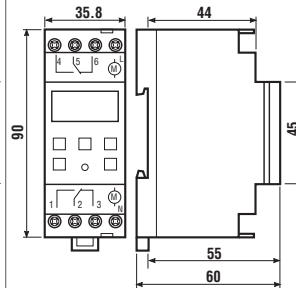
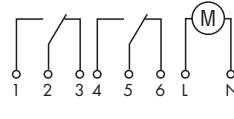
- Digital weekly time switch
- 1 CO (SPDT)
- 35 mm rail (EN 50022) mount



### 12.22



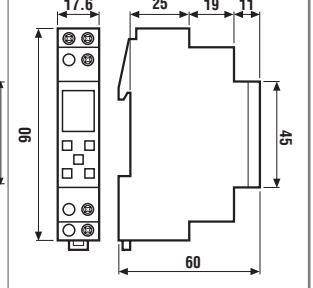
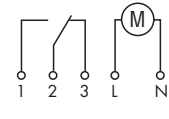
- Digital weekly time switch
- 2 CO (DPDT)
- 35 mm rail (EN 50022) mount



### 12.71



- Digital weekly time switch
- 1 CO (SPDT)
- 35 mm rail (EN 50022) mount



Contact specification		12.21		12.22		12.71	
Contact configuration		1 CO (SPDT)		2 CO (DPDT)		1 CO (SPDT)	
Rated current/Maximum peak current	A	16/30		16/30		16/30	
Rated voltage/Maximum switching voltage	V AC	250/—		250/—		250/—	
Rated load AC1	VA	4,000		4,000		4,000	
Rated load AC15 (230 V AC)	VA	750		750		420	
Nominal lamp rating:incandescent (230 V)	W	2,000 (NO contact)		2,000 (NO contact)		2,000 (NO contact)	
compensated fluorescent (230 V)	W	420 (NO contact)		420 (NO contact)		750 (NO contact)	
uncompensated fluorescent (230 V)	W	1,000 (NO contact)		1,000 (NO contact)		1,000 (NO contact)	
halogen (230 V)	W	2,000 (NO contact)		2,000 (NO contact)		2,000 (NO contact)	
Minimum switching load	mW (V/mA)	1,000 (10/10)		1,000 (10/10)		1,000 (10/10)	
Standard contact material		AgCdO		AgCdO		AgCdO	
Supply specification		12.21		12.22		12.71	
Nominal voltage (U <sub>N</sub> )	V AC (50/60 Hz)	—	230	—	230	—	230
	V AC/DC	24	—	24	—	24	—
Rated power AC/DC	VA (50 Hz)/W	1.4/1.4	2/—	1.4/1.4	2/—	1.4/1.4	2/—
Operating range	AC (50 Hz)	(0.9...1.1)U <sub>N</sub>	(0.85...1.1)U <sub>N</sub>	(0.9...1.1)U <sub>N</sub>	(0.85...1.1)U <sub>N</sub>	(0.9...1.1)U <sub>N</sub>	(0.85...1.1)U <sub>N</sub>
	DC	(0.9...1.1)U <sub>N</sub>	—	(0.9...1.1)U <sub>N</sub>	—	(0.9...1.1)U <sub>N</sub>	—
Technical data		12.21		12.22		12.71	
Electrical life at rated load in AC1	cycles	50 · 10 <sup>3</sup>		50 · 10 <sup>3</sup>		50 · 10 <sup>3</sup>	
Type of time switch		weekly		weekly		weekly	
Programs		30		30		30	
Minimum interval setting	min	1		1		1	
Accuracy	s/day	1.5		1.5		1.5	
Ambient temperature range	°C	-5...+55	-10...+55	-5...+55	-10...+55	-10...+55	-10...+55
Protection category		IP 20		IP 20		IP 20	
Approvals (according to type)							

## Ordering information

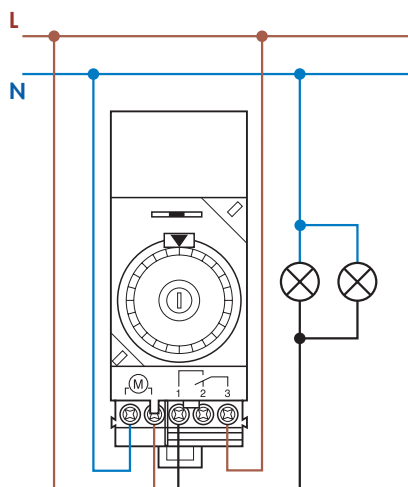
Example: 12 series, mechanical daily time switch, 1 CO (SPDT) 16 A, supply voltage 230 V AC.

<b>1</b>	<b>2</b>	<b>0</b>	<b>1</b>	<b>8</b>	<b>2</b>	<b>3</b>	<b>0</b>	<b>0</b>	<b>0</b>	<b>0</b>
<b>Series</b>			<b>Type</b>			<b>Option</b>			<b>Supply voltage</b>	
0 = Daily, 35.8 mm wide 1 = Daily, 17.5 mm wide 2 = Weekly, 35.8 mm wide 7 = Weekly, 17.5 mm wide			0 = Daily, 35.8 mm wide 1 = Daily, 17.5 mm wide 2 = Weekly, 35.8 mm wide 7 = Weekly, 17.5 mm wide			0 = With power back-up 1 = Without power back-up (type 12.11)			024 = 24 V AC/DC 230 = 230 V	
<b>No. of poles</b>			<b>Supply version</b>							
1 = 1 CO (SPDT), 16 A 2 = 2 CO (DPDT), 16 A (type 12.22)			0 = AC (50/60 Hz)/DC (types 12.21.0.024, 12.22.0.024, 12.71.0.024) 8 = AC (50/60 Hz)							

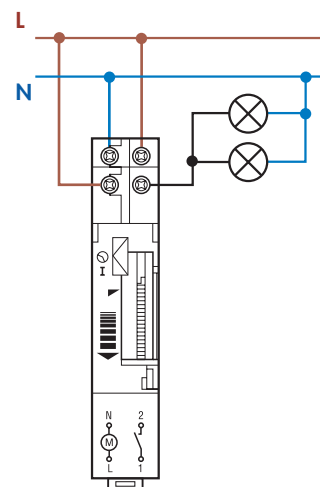
## Technical data

Insulation	12.01, 12.11		12.21, 12.22, 12.71	
Dielectric strength between open contacts V AC	1,000		1,000	
Other data	12.01, 12.11		12.21, 12.22, 12.71	
Power back-up	70 h (following 80 h continuous energisation)		6 years after the first operation	
Power lost to the environment				
without contact current W	1.5			2
with rated current W	2.5	3 (for 1 pole)		4 (for 2 pole)
⊕ Screw torque Nm	1.2		1.2	
Max. wire size	solid cable		solid cable	
	stranded cable		stranded cable	
	mm <sup>2</sup>	1x6 / 2x4	1x6 / 2x2.5	1x6 / 2x4
AWG	1x10 / 2x12	1x10 / 2x14	1x10 / 2x12	1x10 / 2x14

## Wiring diagrams

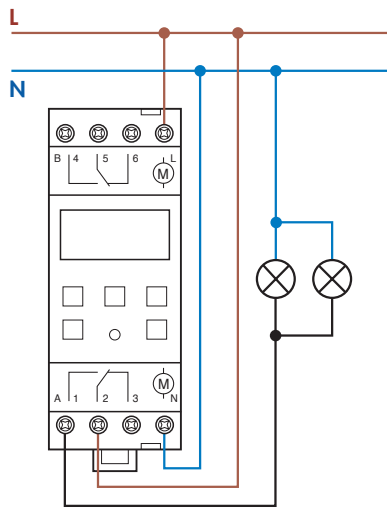


**Type 12.01**  
Selector switch:  
⊖ = Permanently OFF  
AUTO = Automatic  
I = Permanently ON

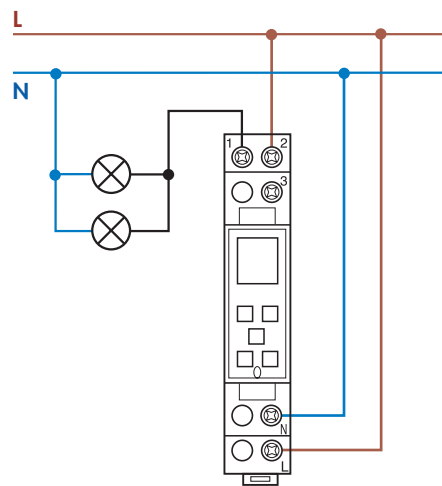


**Type 12.11**  
Selector switch:  
⊖ = Automatic  
I = Permanently ON

## Wiring diagrams



Type 12.21  
12.22



Type 12.71

## Accessories



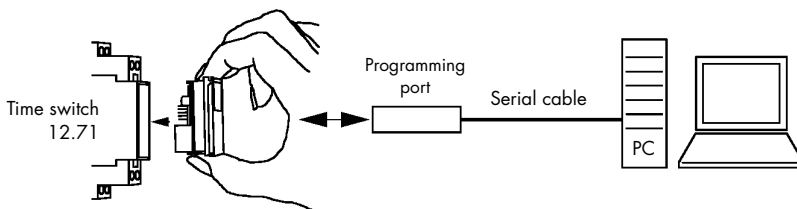
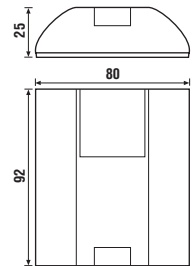
012.00

**PC programming kit** for type 12.71 contents:

programming port, serial cable and software

012.00

- Power supply: via PC-RS232 serial interface
- Power consumption: < 10 mA
- Ambient temperature: (-5...+35)°C
- Protection category: IP 00



### INSTALLATION OF PC-SOFTWARE

- Place the CD in the CD-drive
- Installation should START
- Follow the on-screen instructions
- Choose your language and COM1...COM4 in "setting menu"