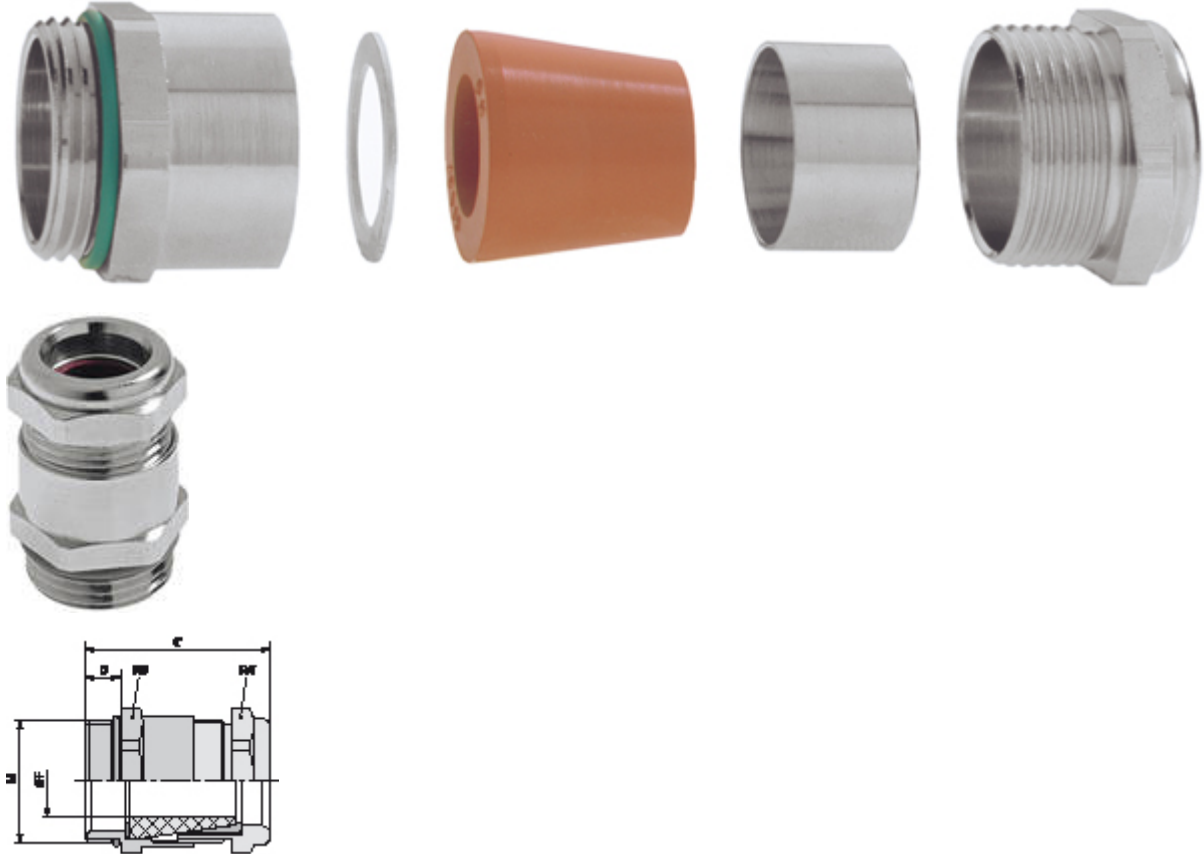


Product Description



Application

Water pressure-tight cable gland for extremely demanding applications with metric connection thread in accordance to EN 50262. The special conical Viton® sealing element ensures an extended sealing surface. Thus excellent compression strength and strain relief are achieved.

The Viton® sealing cone demonstrates outstanding resistance to oils and biological oils, solvents and chemicals at high temperatures up to 200°C.

Note

- Counter nut to be used SKINDICHT® SM-M

Advantage

Design:

- 1 fitting
- 2 washers



- 3 Viton® sealing cone
- 4 brass cone
- 5 compression screw

Special feature

Example - order identification:

SHV-M-Viton® 20 / 11 / 7

20 = Connection thread metric

11 = Function thread PG

7 = Clear width of sealing cone

Technical Data

Caution

Installation dimensions see T21

Material

Body: Nickel plated brass Cone seal: FKM O-ring: FKM

Degree of protection

IP 68 - 10 bar

Range of temperature

-15°C up to +200°C

Article List

Part number	Part designation / size	Clamping range ØF mm	Function thread PG	Overall length C mm	Thread length D mm	Clear opening F mm	SW1 / SW2 mm	Pieces / VPE
SKINDICHT® SHV-M-VITON®								
52105430	12 x 1,5	3,8 - 4,8	7	26	5	5	14 / 14	50
52105440	16 x 1,5	4,8 - 5,8	9	27,5	5	6	18 / 17	50
52105450	16 x 1,5	5,8 - 6,8	9	27,5	5	7	18 / 17	50
52105460	20 x 1,5	5,8 - 6,8	11	31	6	7	22 / 20	25
52105470	20 x 1,5	6,8 - 8,8	11	31	6	9	22 / 20	25
52105480	20 x 1,5	8,5 - 10,8	13,5	32,5	6	11	22 / 22	25
52105490	20 x 1,5	6,8 - 8,8	13,5	32,5	6	9	22 / 22	25
52105500	20 x 1,5	10,8 - 12,8	16	34,5	6	13	24 / 24	25
52105510	20 x 1,5	13,8 - 14,8	16	34,5	6	15	24 / 24	25
52105520	25 x 1,5	15,8 - 17,8	21	38	7	18	30 / 30	25
52105530	25 x 1,5	17,5 - 19,8	21	38	7	20	30 / 30	25
52105540	32 x 1,5	19,5 - 21,8	29	44,5	8	22	40 / 40	10