



**Notes:**

**120 mm fullrange**

cone: paper  
dustcap: paper  
edge: treated paper  
gasket: foam  
voice coil: paper  
magnet: ferrit

**Terminals:**

"+" 2.8 x 0.8 mm  
"-" 2.8 x 0.8 mm

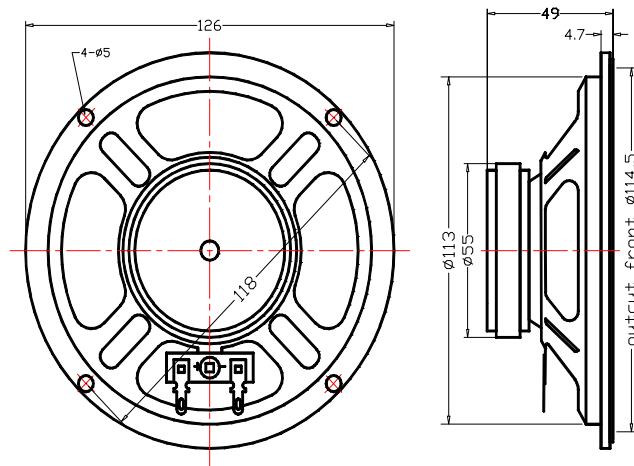
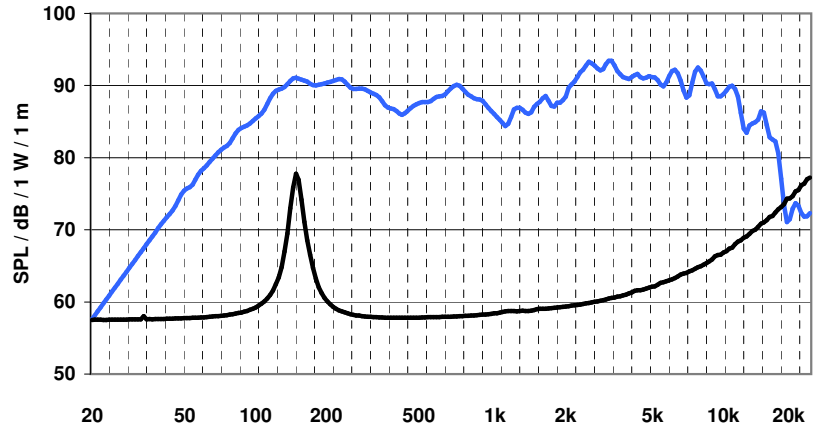
**Technical data ( EN ):**

nom impedance 8 Ω  
nom. power 10 watts  
peak SPL 94 dB  
sensitivity 92 dB  
average SPL 89 dB  
res. frequency 130 Hz  
freq. Range ( -10 dB ):  
70 to 14400 Hz  
Xmax +/- 1 mm  
total weight 0,26 kg  
magnet weight 3 oz  
voice coil Ø 20 mm

**Thiele / Small parameter:**

Re 7,2 Ω  
Qms 5,7  
Qes 1  
Qts 1,9  
VAS 3,4 Liter  
Mms 2,7 g  
Rms 0,43 kg / s  
Cms 0,5 mm / N  
B \* L 2,3 Tm  
Sd 67 cm²  
Le 0,02 mH

Frequenzgang / frequency response



**Remarks:**

120 mm fullrange speaker  
linear frequency response and high sensitivity  
for all kinds of fullrange systems, ceiling speakers, ...

Technical data are measured with ATB - equipment according EN - 60268 - 5

For product improvement HKM reserves alterations in specifications and design without further announcement

For tolerances of technical data refer to HKM's manual of technical data

For information contact: tel.: +49 (0) 9073 / 9585 - 0, fax.: +49 (0) 9073 / 9585 - 55, e-mail: info@hkm-group.de

