

QLZ06/2400-3030

# AC tangential blower

forward curved



## ebm-papst Landshut GmbH

Hofmark-Aich-Straße 25

84030 Landshut

Phone: +49 871 707-0

Fax: +49 871 707-465

[www.ebmpapst.com](http://www.ebmpapst.com)

[info3@de.ebmpapst.com](mailto:info3@de.ebmpapst.com)

## Nominal data

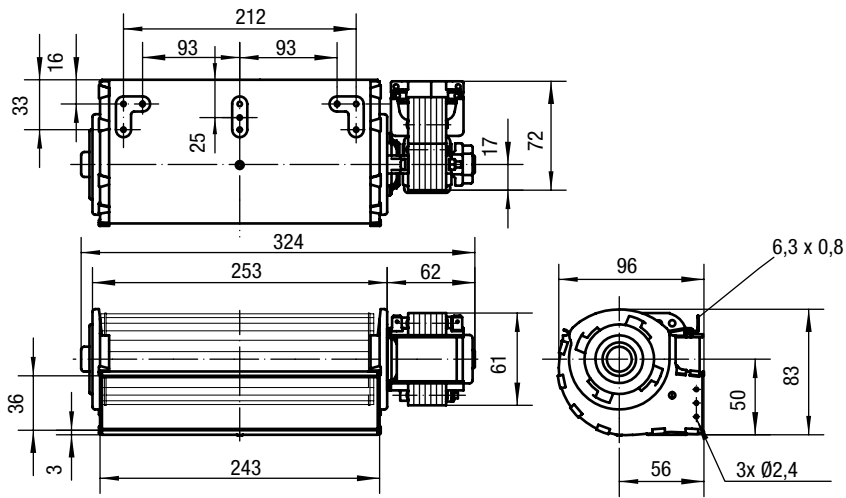
Type	QLZ06/2400-3030	
Nominal voltage	[VAC]	230
Frequency	[Hz]	50
Speed	[min <sup>-1</sup> ]	1700
Power input	[W]	33
Current draw	[A]	290
Max. back pressure	[Pa]	63
Min. ambient temperature	[°C]	0
Max. ambient temperature	[°C]	60
Air flow	[m <sup>3</sup> /h]	170

ml = max. load · me = max. efficiency · rfa = running at free air · cs = customer specs · cu = customer unit  
Subject to alterations

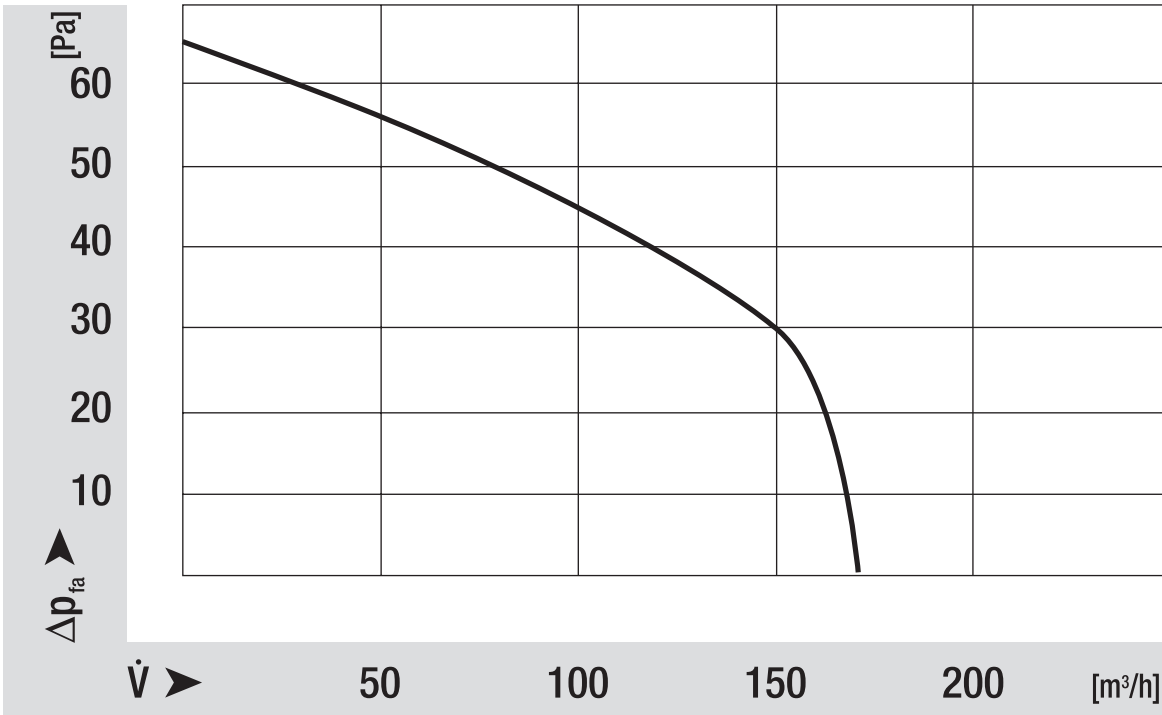
**Technical features**

<b>Dimensions</b>	60 mm
<b>Connection line</b>	Flat plug 6.3 x 0.8
<b>Line</b>	Standard
<b>Mounting position</b>	Horizontal or vertical with motor below
<b>Insulation class</b>	B F or H also available on request
<b>Mass</b>	1.40 kg

## Product drawing



## Charts: Air flow



# AC tangential blower

forward curved

## Charts: Speed

