

QLK45/2400-2524L

AC tangential blower

forward curved



ebm-papst Landshut GmbH

Hofmark-Aich-Straße 25

84030 Landshut

Phone: +49 871 707-0

Fax: +49 871 707-465

www.ebmpapst.com

info3@de.ebmpapst.com

Nominal data

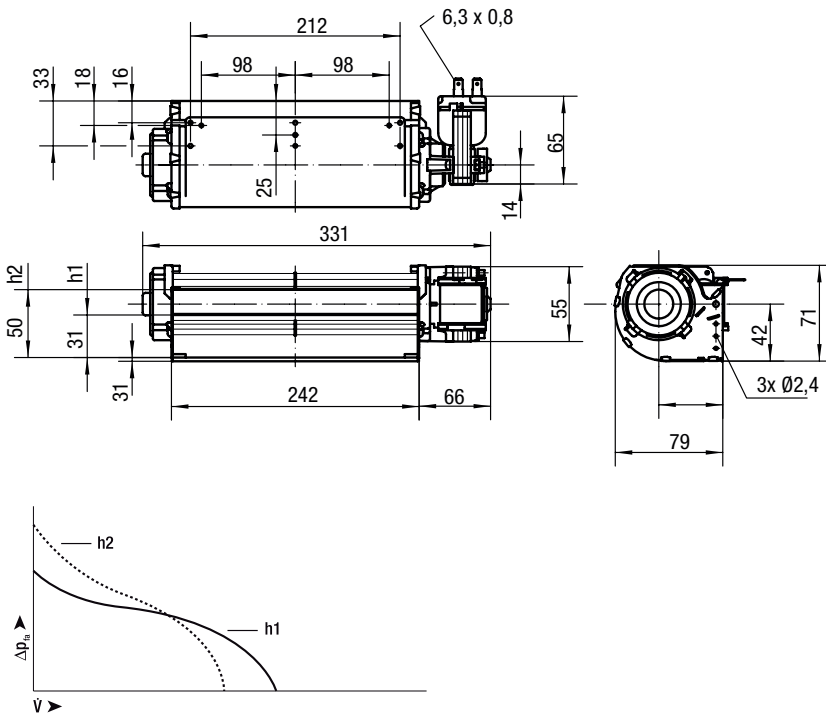
| Type | QLK45/2400-2524L | |
|--------------------------|----------------------|------|
| Nominal voltage | [VAC] | 230 |
| Frequency | [Hz] | 50 |
| Speed | [min ⁻¹] | 2200 |
| Power input | [W] | 32 |
| Current draw | [A] | ,28 |
| Max. back pressure | [Pa] | 64 |
| Min. ambient temperature | [°C] | 0 |
| Max. ambient temperature | [°C] | 60 |
| Air flow | [m ³ /h] | 190 |

ml = max. load · me = max. efficiency · rfa = running at free air · cs = customer specs · cu = customer unit
Subject to alterations

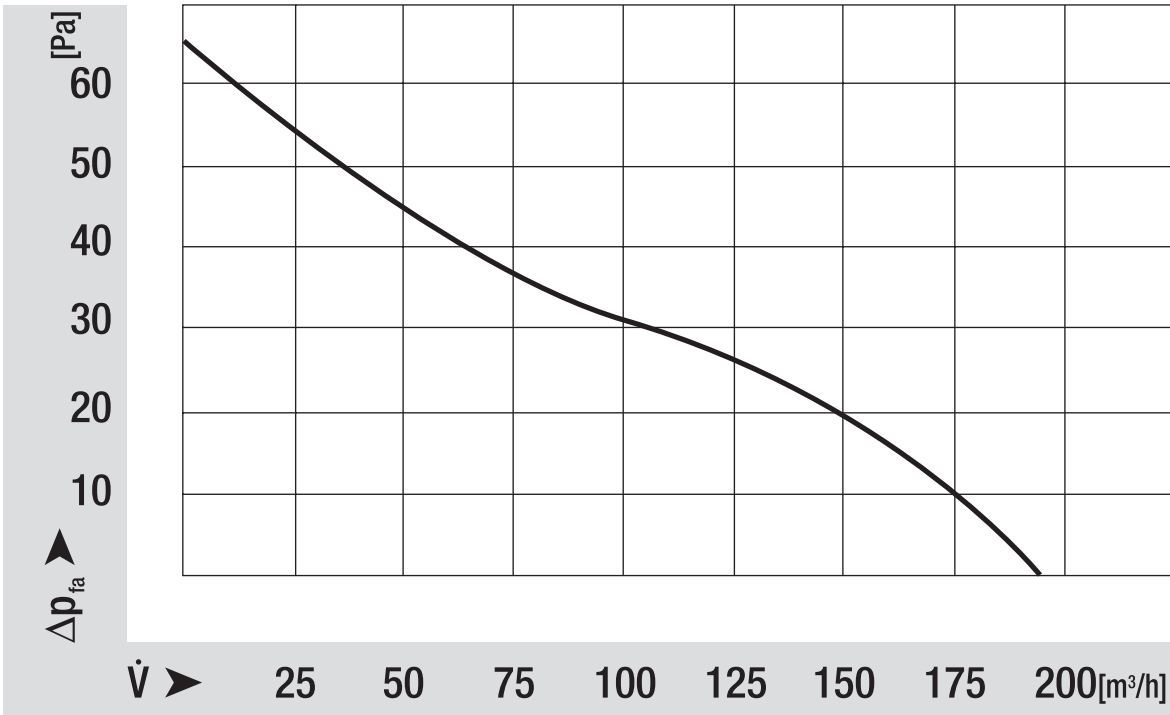
Technical features

| | |
|--------------------------|---|
| Dimensions | 45 mm |
| Connection line | Flat plug 6.3 x 0.8 |
| Line | Compact series |
| Mounting position | Horizontal or vertical with motor below |
| Insulation class | "B" F or H also available on request |
| Mass | 1.10 kg |

Product drawing



Charts: Air flow



Charts: Speed

