

# Miniature Pushbutton Switches snap action



## Specifications:

Contact rating:	125 V AC, 3 A 30 V DC, 1 A / 12 V DC, 2 A / 6 V DC, 3 A
Contact resistance:	< 10 mΩ
Insulation resistance:	> 1000 MΩ at 500 V DC
Dielectric strength:	1000 V, 50 Hz for the duration of 1 minute
Operating temperature:	- 20° to + 80° C
Mechanical life:	minimum 500000 operations
Contacts:	coin silver (common contact copper alloy, silver-plated) also available gold-plated version B (see page 4)
Terminals:	solder tags, copper alloy silver-plated
Case material:	phenol resin, black
Mounting:	bushing M 6 x 0,75 with locking plate, key 9 mm snap in
Soldering conditions:	hand-soldering – max.: 60 W, 3 sec, 420° C

## SPDT

MPT 103 F  
travel 1,0

on – mom

MPT 103 D  
travel 2,5

on – on

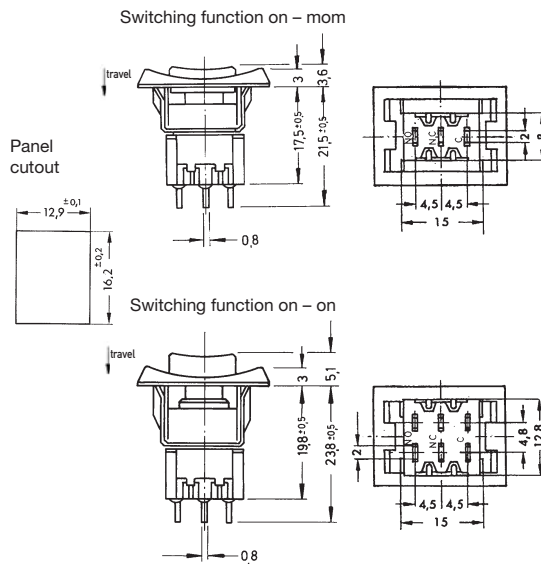
## DPDT

MPT 203 R  
travel 1,0

on – mom

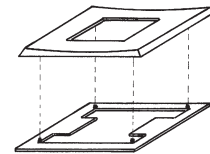
MPT 203 N  
travel 2,5

on – on



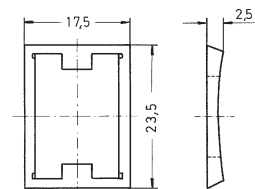
## Mounting:

Attach metal frame from switch bottom, install switch in front panel, fix plastic frame from top.



## Accessories:

	Buttons	Front bezels
black	KT 505	FM 505
grey	KT 507	FM 507
yellow	KT 508	FM 508
red	KT 509	FM 509





# Miniature Pushbutton Switches snap action

## Specifications:

Contact rating:	125 V AC, 3 A 30 V DC, 1 A / 12 V DC, 2 A / 6 V DC, 3 A
Contact resistance:	< 10 mΩ
Insulation resistance:	> 1000 MΩ at 500 V DC
Dielectric strength:	1000 V, 50 Hz for the duration of 1 minute
Operating temperature:	- 20° to + 80° C
Mechanical life:	minimum 500000 operations
Contacts:	coin silver (common contact copper alloy, silver-plated) also available gold-plated version B (see page 4)
Terminals:	solder tags, copper alloy silver-plated
Case material:	phenol resin, black
Mounting:	bushing M 6 x 0,75 with locking plate, key 9 mm
Soldering conditions:	hand-soldering – max.: 60 W, 3 sec, 420° C

3

## Models: Switching functions

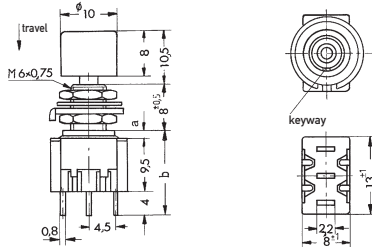
### S P D T

MPS 103 F on – mom

measures: a = 1,5, b = 15<sup>-1</sup>  
travel 1,0

MPS 103 D on – on

measures: a = 2,5, b = 16<sup>-1</sup>  
travel 2,5



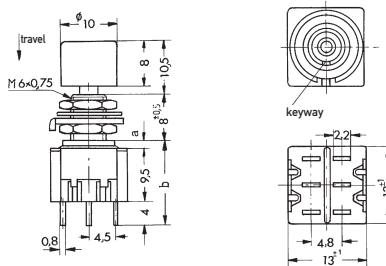
### D P D T

MPS 203 R on – mom

measures: a = 1,5, b = 15<sup>-1</sup>  
travel 1,0

MPS 203 N on – on

measures: a = 2,5, b = 16<sup>-1</sup>  
travel 2,5



## Accessories :

Same as for MPA-series (page 36)

Unless otherwise specified, switches are delivered with button KM 405.

Circuit diagram:

