

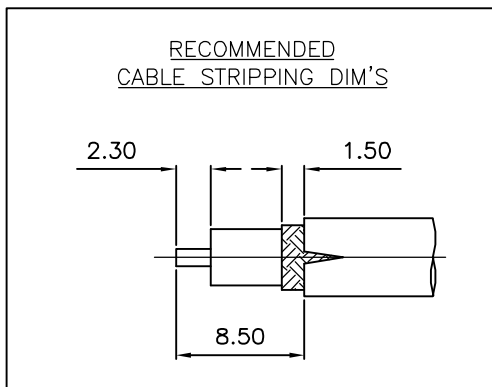
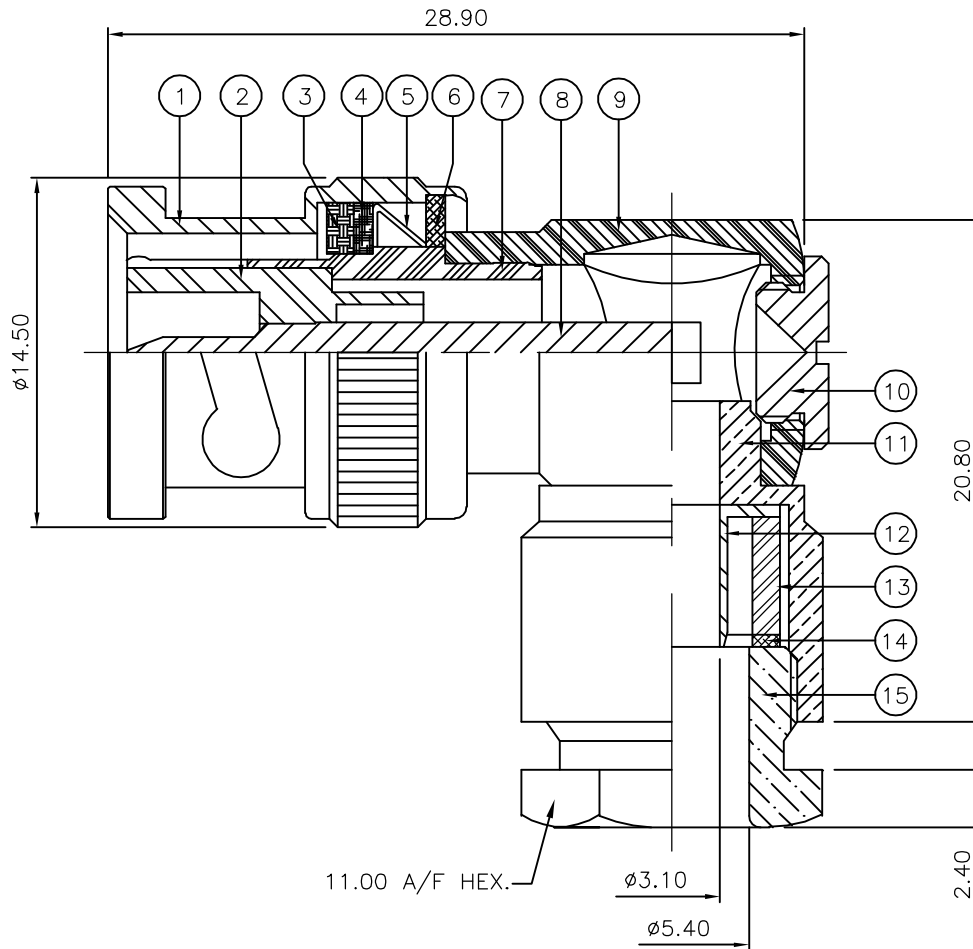
THIS DRAWING IS UNPUBLISHED. RELEASED FOR PUBLICATION JAN ,2006.

© COPYRIGHT 2006 BY TYCO ELECTRONICS CORPORATION. ALL RIGHTS RESERVED.

LOC	DIST	REVISIONS			
P	LTR	DESCRIPTION	DATE	DWN	APVD
E	B	C	ECR-06-001518	19JAN06	JMS FWK

NOTES:

- 1 PACK IN ACCORDANCE WITH AMP SPEC 107-3275
- 2 100 TRAY PACK IN ACCORDANCE WITH AMP SPEC 107-3275
- 3 Ag PLATING
- 4 THIS ITEM MUST BE WHITE
- 5 ELECTRICAL CHARACTERISTICS
 FREQUENCY RANGE: DC - 4 GHz
 NOMINAL IMPEDANCE: 50 Ohm
 INSULATION RESISTANCE: 5000 MOhm
 WORKING VOLTAGE: 500 Volts RMS at Sea Level
 DIELECTRIC WITHSTAND VOLTAGE: 1500 Volts RMS Max
 CONTACT RESISTANCE:
 CENTRE CONTACT: 1.50 mOhm Max
 OUTER CONTACT: 0.20 mOhm Max
 VSWR @ 4GHz: 1.35:1 Max
 INSERTION LOSS dB @ x 3 GHz: 0.30 Max
- 6 MECHANICAL CHARACTERISTICS
 COUPLING RETENTION FORCE: 445N Min
 CABLE RETENTION FORCE: 170N Min
 CLAMP NUT RECOMMENDED TORQUE: 4N
 DURABILITY: 500 Cycles Min
- 7 ENVIRONMENTAL CHARACTERISTICS
 OPERATING TEMPERATURE: -65 to +165 DegC



QTY	QTY	MATERIAL	DESCRIPTION	ITEM
1	1	BRASS	CLAMP NUT	15
1	1	BRASS	WASHER	14
1	1	SILICONE RUBBER	GASKET	13
1	1	BRASS	FERRULE	12
1	1	BRASS	BODY 1	11
1	1	BRASS	CAP	10
1	1	BRASS	BODY II	9
1	1	BRASS	CONTACT	8
1	1	BRASS	OUTER CONTACT	7
1	1	BRASS	WASHER	6
1	1	SPRING STEEL	SPRING	5
1	1	BRASS	RETAINING RING	4
1	1	SILICONE RUBBER	GASKET	3
1	1	PTFE	INSULATION	2
1	1	BRASS	SHELL	1
6--0	1--0	MATERIAL	DESCRIPTION	ITEM

THIS DRAWING IS A CONTROLLED DOCUMENT.		DWN J.SANDWELL 19JAN06	Tyco Electronics Corporation Bideford EX39 4HE	
DIMENSIONS: mm		CHK S.PARLOW 19JAN06	NAME BNC ELBOW PLUG PRESSURE SLEEVE 50 OHM RG58/U, 141A/U, URM43, 76, BELDEN 9907, KX15	
TOLERANCES UNLESS OTHERWISE SPECIFIED: 0 PLC ± - 1 PLC ± - 2 PLC ± - 3 PLC ± - 4 PLC ± - ANGLES ± -		APVD F.WHEELER-KING 19JAN06	PRODUCT SPEC	
MATERIAL SEE TABLE		FINISH -	APPLICATION SPEC 411-3266	RESTRICTED TO
		WEIGHT -	SIZE A3	CAGE CODE 00779
			DRAWING NO G-1337503	REV C
CUSTOMER DRAWING		SCALE NTS	SHEET 1 OF 1	