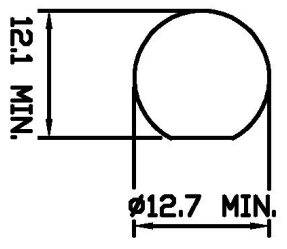
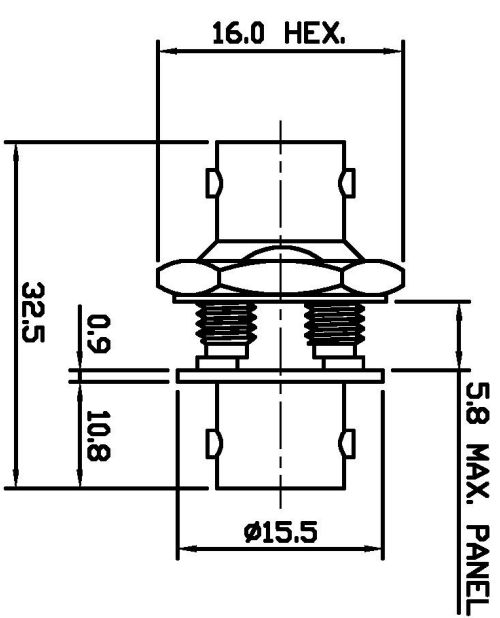


LOC	DIST	REVISONS		DATE	DWG	APPD
E	B	P	LTR	DESCRIPTION	RS	RG
		A		RELEASE FOR PRODUCTION	18.12.00	



**ALL DIMENSIONS ARE NOMINAL. FOR REFERENCE ONLY.**

**△ SUPPLIED SEMI-ASSEMBLED (PACK CONTAINS LOOSE PIECES)**

DIE SET PART NUMBER	N/A
HANDTOOL PART NUMBER	N/A
FOR USE ON CABLES	N/A
CONNECTOR PLATING DETAIL	SILVER
CONTACT PLATING DETAIL	SILVER
DIELECTRIC MATERIAL	PTFE
GASKET MATERIAL	WHITE SILICONE RUBBER

THIS DRAWING IS A CONTROLLED DOCUMENT.	
DIMENSIONS: MM	TOLERANCES UNLESS OTHERWISE SPECIFIED:
	0 P/LC ±
	1 P/LC ±
	2 P/LC ±
	3 P/LC ±
	4 P/LC ±
	5 P/LC ±
	FINISH
	±

DMG	18.12.00	NAME	Typco Electronics Corporation
CHK	R. SMITH	Stonmore, Middlessex, HA7 4RS	
APD	R. GOODALL		
PRODUCT SPEC	108-3435		
APPLICATION SPEC			
WEIGHT			
CUSTOMER DRAWING			
SIZE	A3	CAGE CODE	1478046
DRAWING NO			
SCALE	NTS	SHEET	1 OF 1
REV	A	RESTRICTED TO	

BAG	SINGLE ITEM	1-1478046-0
PACK TYPE	DESCRIPTION	PART NUMBER