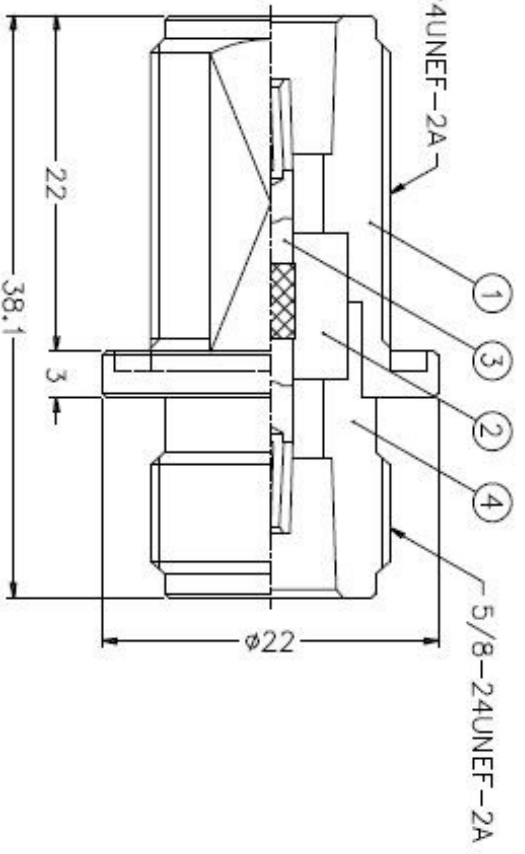
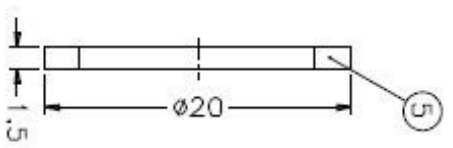
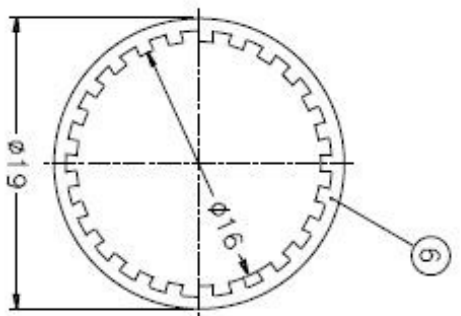
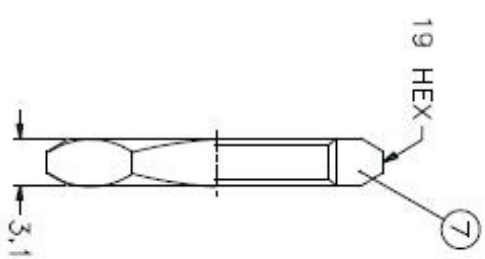
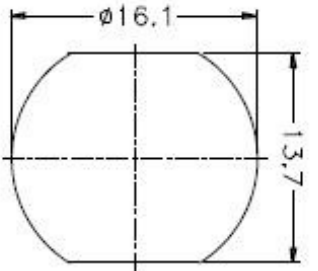


ISS	ZONE	DESCRIPTION\PER REQUEST\DATE



NOTES: FINISH (PLATING THICKNESS IN MICRO-INCHES)

1. BRASS PER QQ-B-826
2. BRASS PER QQ-B-613
3. NICKEL PL 100 MIN. THICK OVER COPPER STRIKE
4. PHOSPHOR BRONZE PER QQ-B-750
5. GOLD PL 3 MIN. THICK OVER NICKEL PL 100 MIN. THICK OVER COPPER STRIKE
6. PTFE MIL-P-19468

1. MAX. PANEL THICKNESS=3.2mm

NO.	DESCRIPTION	MATERIAL	FINISH	QTY	DRAWING NO.
7	HEX NUT	NOTE 1	NOTE 3	1	HN19-5/8-24X31
6	LOCK WASHER	NOTE 2	NOTE 3	1	LW-19/16X05
5	GASKET	SILICONE	RED	1	GS-20/16X15
4	BODY	NOTE 1	NOTE 3	1	N7910-4
3	CONTACT PIN	NOTE 4	NOTE 5	1	N7900-3
2	INSULATOR	NOTE 6	NATURAL	1	N7900-2T-50-B
1	HOUSING	NOTE 1	NOTE 3	1	N7910-1

DIMENSIONS ARE IN MILLIMETERS	
UNLESS OTHERWISE SPECIFIED	TOLERANCES
0.5-6	±0.2
6-30	±0.4
30-120	±0.5
120-315	±1
315-1000	±1.6
1000-2000	±2.4

PART NO.	N7471A1-NT3G-50
APPROVED	DATE
CHECKED	DATE
DRAWN	DATE

<b>Amphenol</b>	
TITLE N FEMALE TO FEMALE BULKHEAD ADAPTOR	
DRAWING NO.	KJ-N7471A1-NT3G-50
ITEM NO.	

A

B

C

D

E

F

1 2 3 4 5 6 7 8