

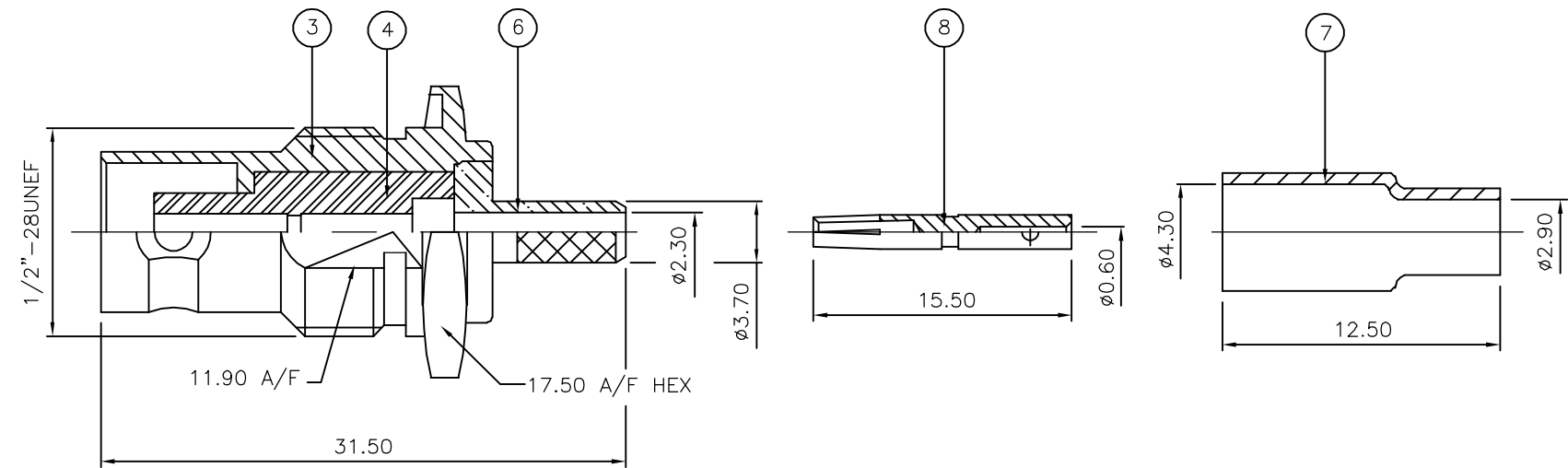
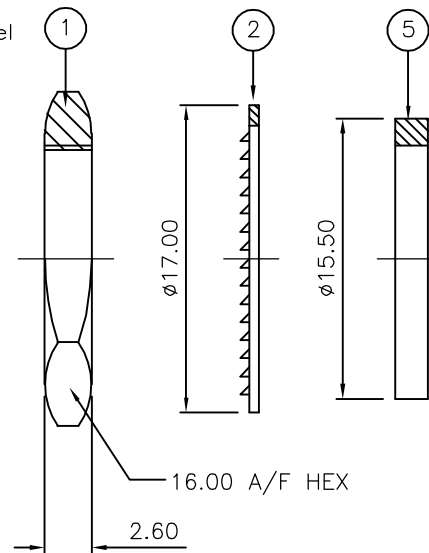
THIS DRAWING IS UNPUBLISHED. RELEASED FOR PUBLICATION FEB ,2006.

© COPYRIGHT 2006 BY TYCO ELECTRONICS CORPORATION. ALL RIGHTS RESERVED.

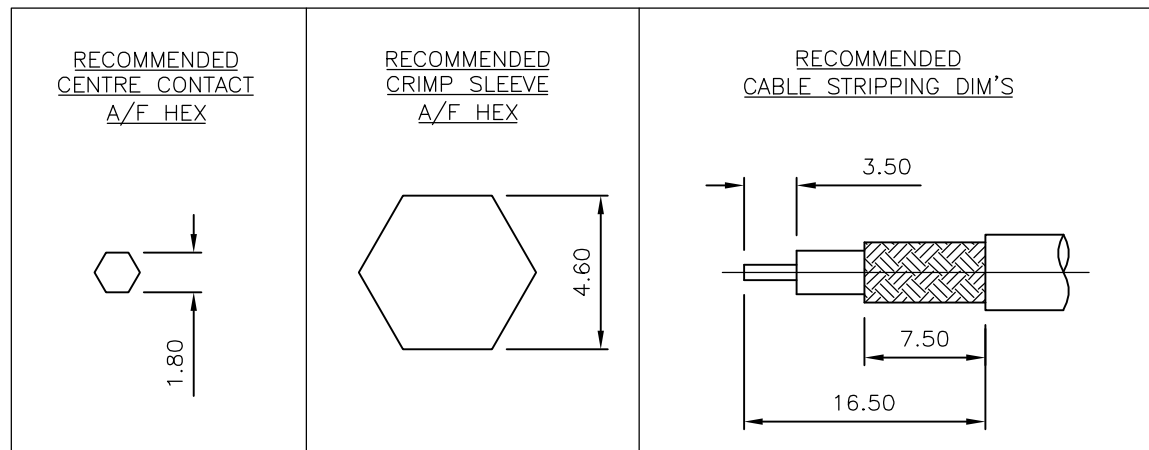
LOC	DIST	REVISIONS					
E	B	P	LTR	DESCRIPTION	DATE	DWN	APVD
		C		ECR-06-001518	01FEB06	JMS	FWK

NOTES:

- ① PACK IN ACCORDANCE WITH AMP SPEC 107-3275
- ② 100 TRAY PACK IN ACCORDANCE WITH AMP SPEC 107-3275
- ③ Au PLATING
- ④ Ni PLATING
- ⑤ THIS ITEM MUST BE WHITE
- 6 HAND TOOL : 9-1478240-0
- 7 DIE SET : 9-1478245-0
- 8 ELECTRICAL CHARACTERISTICS  
 FREQUENCY RANGE: DC - 4 GHz  
 NOMINAL IMPEDANCE: 50 Ohm  
 INSULATION RESISTANCE: 5000 MOhm  
 WORKING VOLTAGE: 500 Volts RMS at Sea Level  
 DIELECTRIC WITHSTAND VOLTAGE: 1500 Volts RMS Max  
 CONTACT RESISTANCE:  
 CENTRE CONTACT: 1.50 mOhm Max  
 OUTER CONTACT: 0.20 mOhm Max  
 VSWR @ 4GHz: 1.30:1 Max  
 INSERTION LOSS dB @ x 3 GHz: 0.20 Max
- 9 MECHANICAL CHARACTERISTICS  
 COUPLING NUT RETENTION FORCE: N/A  
 CABLE RETENTION FORCE: 85N Min  
 MOUNT NUT RECOMMENDED TORQUE: 4N  
 DURABILITY: 500 Cycles Min
- 10 ENVIRONMENTAL CHARACTERISTICS  
 OPERATING TEMPERATURE: -65 to +165 DegC



		1	1	BRASS	③	CONTACT	8
		1	1	BRASS	④	FERRULE	7
		1	1	BRASS	④	CHASSIS	6
		1	1	SILICONE RUBBER	⑤	GASKET	5
		1	1	PTFE		INSULATION	4
		1	1	BRASS	④	BODY	3
		1	1	STEEL	④	LOCKWASHER	2
		1	1	BRASS	④	HEX NUT	1
		6--0	1--0	MATERIAL		DESCRIPTION	ITEM
		△	△				
QUANTITY PER ASSY				PARTS LIST			



THIS DRAWING IS A CONTROLLED DOCUMENT.		DWN	J.SANDWELL	01FEB06	 Tyco Electronics Corporation Bideford EX39 4HE	
DIMENSIONS: mm		CHK	S.PARLOW	01FEB06		
TOLERANCES UNLESS OTHERWISE SPECIFIED:		APVD	F.WHEELER-KING	01FEB06		
0 PLC ± - 1 PLC ± - 2 PLC ± - 3 PLC ± - 4 PLC ± - ANGLES ± -		PRODUCT SPEC	-			
MATERIAL	SEE TABLE	FINISH	-		NAME	BNC BULKHEAD JACK REAR MOUNT CRIMP 50 OHM RG174A/U, 188A/U, 316/U, URM95, KX3B, KX22A
CUSTOMER DRAWING		WEIGHT	-		SIZE	A3
		SCALE		NTS	CAGE CODE	00779
		SHEET		1	DRAWING NO	C-1337548
		REV		C	RESTRICTED TO	-