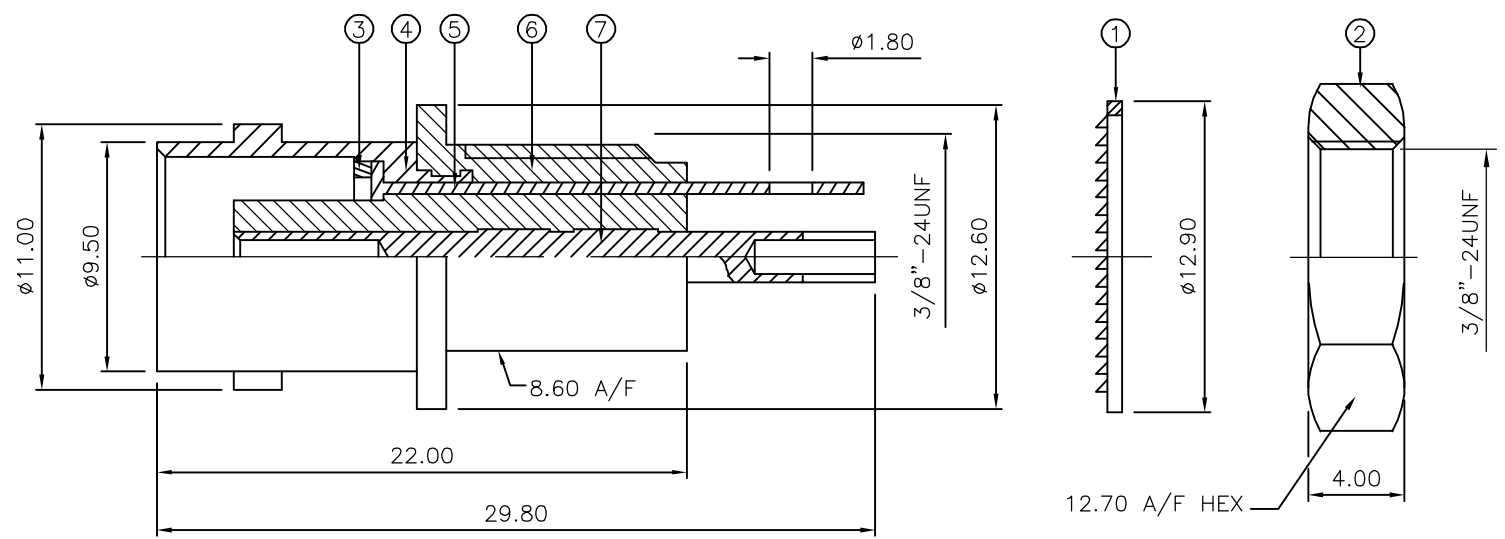


THIS DRAWING IS UNPUBLISHED. RELEASED FOR PUBLICATION DEC ,2005.  
 © COPYRIGHT 2005 BY TYCO ELECTRONICS CORPORATION. ALL RIGHTS RESERVED.

LOC	DIST	REVISIONS					
E	B	P	LTR	DESCRIPTION	DATE	DWN	APVD
		C		ECR-05-017969	13DEC05	JMS	FWK

- NOTES:
- ① PACK IN ACCORDANCE WITH AMP SPEC 107-3275
  - ② 100 TRAY PACK IN ACCORDANCE WITH AMP SPEC 107-3275
  - ③ Au PLATING
  - ④ Ni PLATING
- 5 ELECTRICAL CHARACTERISTICS
- |                               |                            |
|-------------------------------|----------------------------|
| FREQUENCY RANGE:              | DC - 4 GHz                 |
| NOMINAL IMPEDANCE:            | 50 Ohm                     |
| INSULATION RESISTANCE:        | 5000 MOhm                  |
| WORKING VOLTAGE:              | 500 Volts RMS at Sea Level |
| DIELECTRIC WITHSTAND VOLTAGE: | 1500 Volts RMS Max         |
| CONTACT RESISTANCE:           |                            |
| CENTRE CONTACT:               | 1.50 mOhm Max              |
| OUTER CONTACT:                | 0.20 mOhm Max              |
| VSWR @ xGHz:                  | N/A                        |
| INSERTION LOSS xdb:           | N/A                        |
- 6 MECHANICAL CHARACTERISTICS
- |                               |                |
|-------------------------------|----------------|
| COUPLING RETENTION FORCE:     | N/A            |
| CABLE RETENTION FORCE:        | N/A            |
| MOUNT NUT RECOMMENDED TORQUE: | 2N             |
| DURABILITY:                   | 500 Cycles Min |
- 7 ENVIRONMENTAL CHARACTERISTICS
- |                        |                 |
|------------------------|-----------------|
| OPERATING TEMPERATURE: | -65 to +85 DegC |
|------------------------|-----------------|



QTY	QTY PER ASSY	MATERIAL	DESCRIPTION	ITEM
1	1	BRASS	CONTACT	7
1	1	ABS	BODY A	6
1	1	BRASS	WASHER	5
1	1	BRASS	BODY B	4
1	1	BRASS	WASHER	3
1	1	BRASS	HEX NUT	2
1	1	STEEL	LOCKWASHER	1
6--0	1--0	MATERIAL	DESCRIPTION	ITEM

THIS DRAWING IS A CONTROLLED DOCUMENT.		DWN	J.SANDWELL	13DEC05	 Tyco Electronics Corporation Bideford EX39 4HE													
DIMENSIONS: mm		CHK	S.PARLOW	13DEC05														
		APVD	F.WHEELER-KING	13DEC05														
TOLERANCES UNLESS OTHERWISE SPECIFIED:		PRODUCT SPEC																
<table border="0"> <tr> <td>0 PLC</td> <td>± -</td> </tr> <tr> <td>1 PLC</td> <td>± -</td> </tr> <tr> <td>2 PLC</td> <td>± -</td> </tr> <tr> <td>3 PLC</td> <td>± -</td> </tr> <tr> <td>4 PLC</td> <td>± -</td> </tr> <tr> <td>ANGLES</td> <td>± -</td> </tr> </table>		0 PLC	± -	1 PLC	± -	2 PLC	± -	3 PLC	± -	4 PLC	± -	ANGLES	± -	APPLICATION SPEC			NAME	BNC INSULATED BULKHEAD SOCKET FRONT MOUNT 50 OHM
0 PLC	± -																	
1 PLC	± -																	
2 PLC	± -																	
3 PLC	± -																	
4 PLC	± -																	
ANGLES	± -																	
MATERIAL SEE TABLE		FINISH			SIZE	A3												
					CAGE CODE	00779												
					DRAWING NO	1337452												
					RESTRICTED TO													
					WEIGHT	-												
					CUSTOMER DRAWING													
					SCALE	NTS												
					SHEET	1 OF 1												
					REV	C												