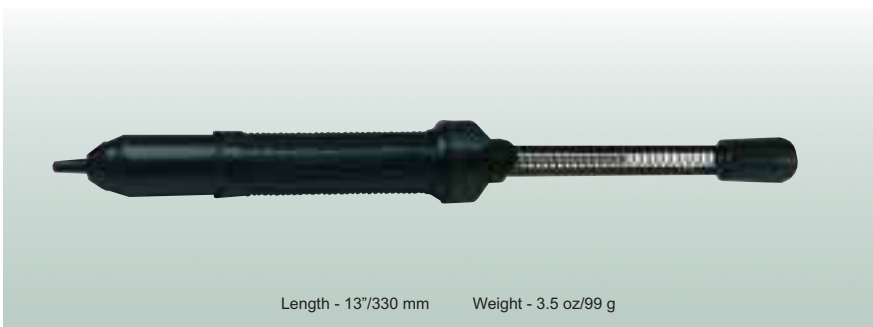




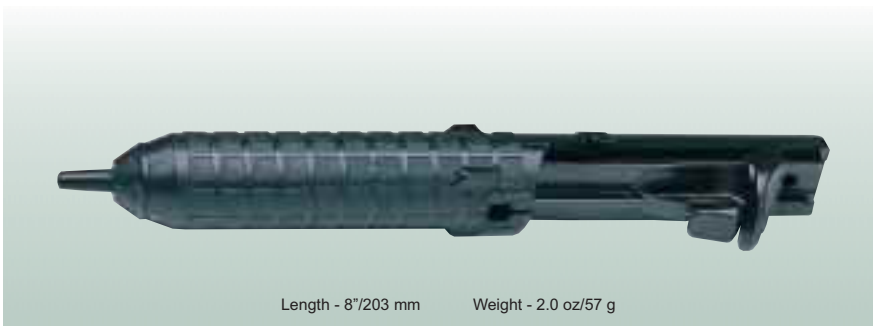
AS196 SILVERSTAT *SOLDAPULLT*®

- Static safe conductive plating
- Designed for heavy duty, high volume applications
- High efficiency, durable construction
- Retractable shaft guide for portability and easy storage



DS017LS Low Static Deluxe *SOLDAPULLT*®

- Molded from conductive material
- High efficiency and durable construction
- Retractable shaft guide for portability and easy storage



US340 Low Static Universal *SOLDAPULLT*®

- Powerful vacuum
- Low static barrel
- Single-handed loading system
- Adjustable loading stroke to reduce hand strain



SS350/SS750LS Standard Metric Low Static *SOLDAPULLT*® Challenger

- High quality, low cost
- Both SS350 and SS750LS are designed for single-handed operation
- The SS350 has aluminum barrel for easy cleaning

Replacement Tip			SOLDAPULLT				
			AS196	DS017LS	US340	SS350	SS750LS
LS197	i.d. = .125"/3.2 mm	L = .536"/13.6 mm					
LS363	i.d. = .125"/3.2 mm	L = .536"/13.6 mm					
LS751	i.d. = .100"/2.5 mm	L = .875"/22.2 mm					
O-Ring			Use OL111 O-Ring Lube for lubrication				
ODS31							
OB207	(use for replacement tiplet)						
OS130							

For more information on replacement parts, specifications & features, see CRIB NOTES on pages 39-41.

SOLDAPULLT Hand Desoldering Pumps for Static Sensitive Components

