

PRO-LITE UTILITYLITE Floodlight ADVANT

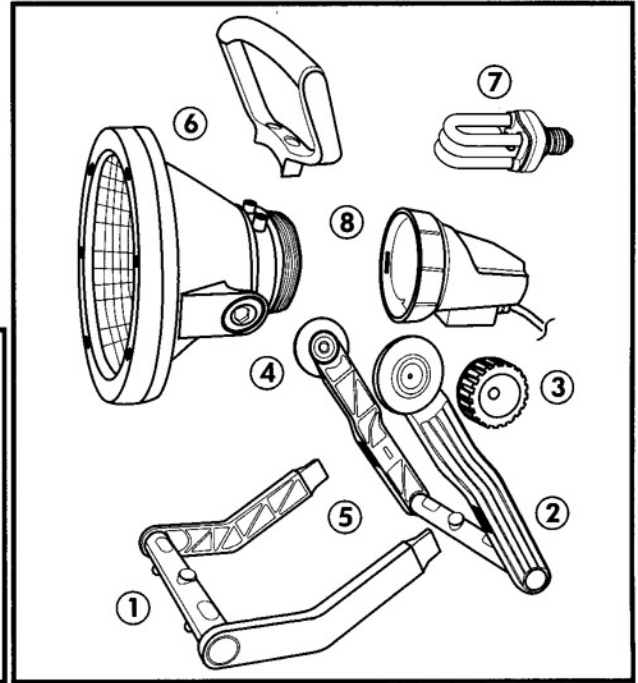
L0102 PL

CAUTION

- Always disconnect the power source before assembly, bulb installation or replacement, cleaning and maintenance.
- Only ENERGY SAVING LIGHT BULB can be used in the luminaire. Using incandescent bulb, halogen bulb or other kinds of light source will be resulted in risk of fire or electric shock.
- Make sure the water sealing O-rings are fitted in proper position after bulb installation, cleaning or maintenance. Twisting, mal-position or absence of the water sealing O-rings will cause the luminaire to fail the IP54 protection.
- Replace any broken protective front glass with the same type.
- Replace the damaged external flexible cord with the same type. (H05 RN-F 2x1mm²)
- Suitable for indoor and outdoor application such as garden, building etc.



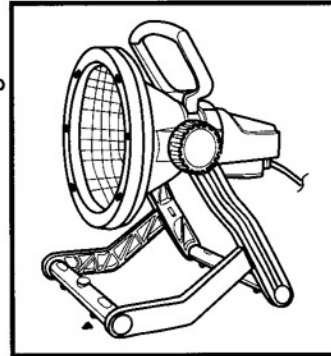
EXPLODED DIAGRAM



TECHNICAL SPECIFICATION

Model	: Floodlight ADVANT
Voltage	: 220-240V~
Frequency	: 50/60Hz
Maximum Wattage	: 30W Energy Saving Light Bulb
Lamp base	: E 27
IP Protection	: IP54
Dimension (LxWxH)	: 222 x 272 x 330 mm
Weight	: 1.6 kg
Max. Projected Angle	: 80°

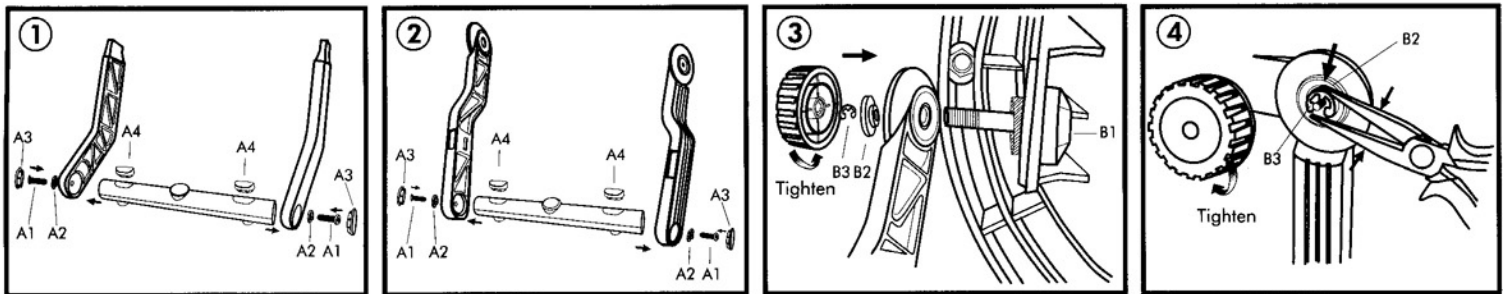
ASSEMBLY DIAGRAM



PART LIST

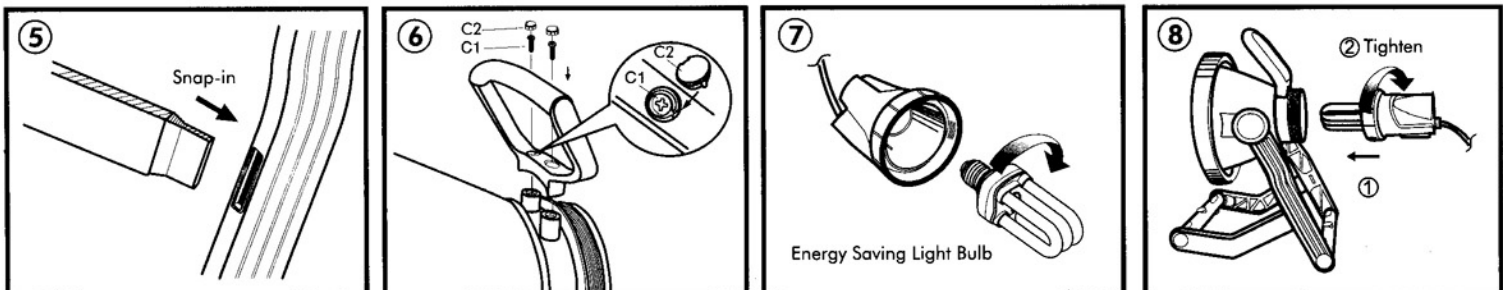
FOR FRAME				FOR MAIN FRAME TO REFLECTOR BODY			FOR HANDLE			FOR WALL MOUNTING		
A1	A2	A3	A4	B1	B2	B3	C1	C2	C3	D1	D2	D3
4 pcs.	4 pcs.	4 pcs.	4 pcs.	2 pcs.	2 pcs.	2 pcs.	2 pcs.	2 pcs.	2 pcs.	2 pcs.	2 pcs.	2 pcs.

ASSEMBLY PROCEDURES



• Make sure the rubber base is facing downwards.

• Assembly of main frame to the reflector body.



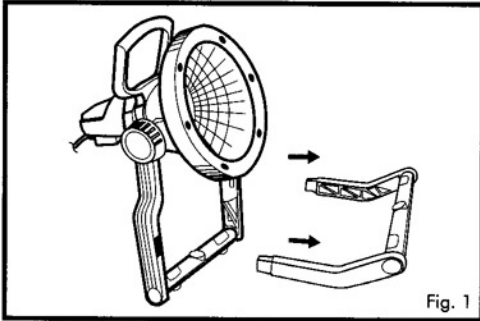
• Fully snap-in the auxiliary frame to the main frame.

• Handle assembly.

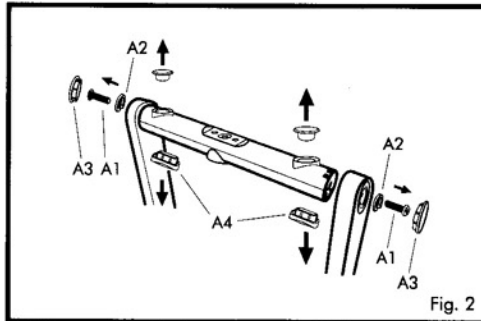
• To install the tube in the luminaire for the first time, simply screw-in the energy saving light bulb to the lamp holder of the rear housing.

• Tighten the collar in clock-wise direction and ensure the locker is properly engaged.

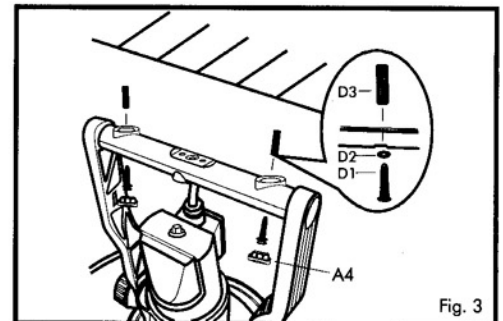
WALL-MOUNTED INSTALLATION



- Pull off the auxiliary frame from the main frame.

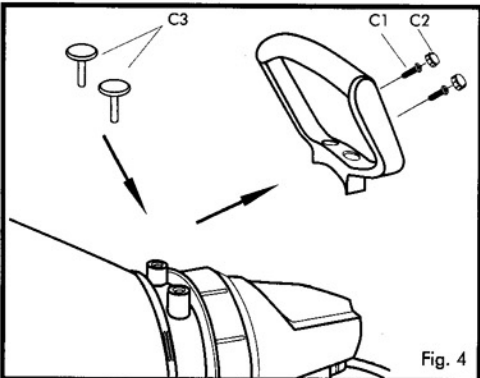


- Remove the rubber base and the main frame cover to release the screw for facing the rod bar upwards.



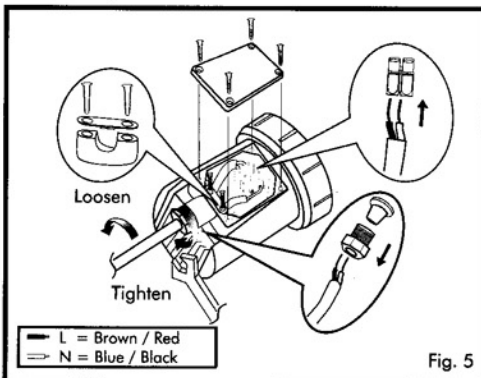
- Use a 6 mm drill for the plastic anchor.

OPTIONAL CHOICE



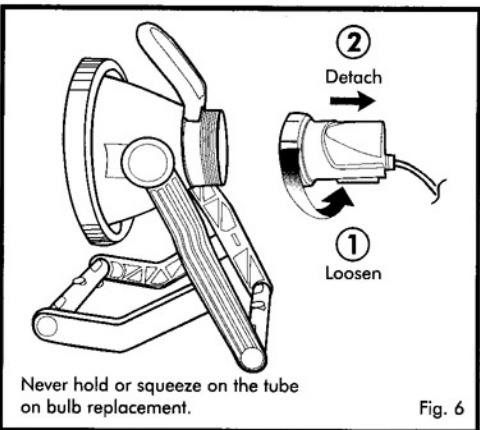
- The user may remove the handle and cover the bosses by 2 plastic anchors.

POWER CORD REPLACEMENT (By Qualified Technician)

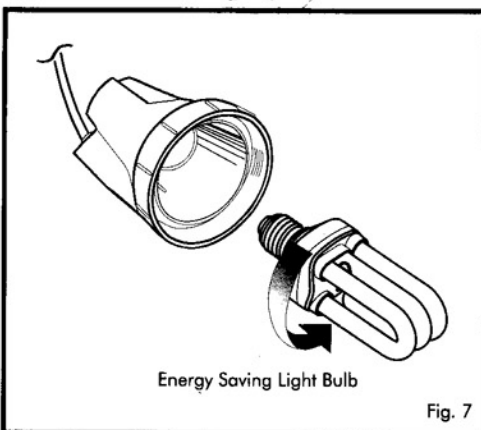


- Follow the figure for power cord replacement.
- Make sure to use the power cord (H05 RN-F 2x1mm²) in diameter of 6.85mm +/- 0.15 for water proof.

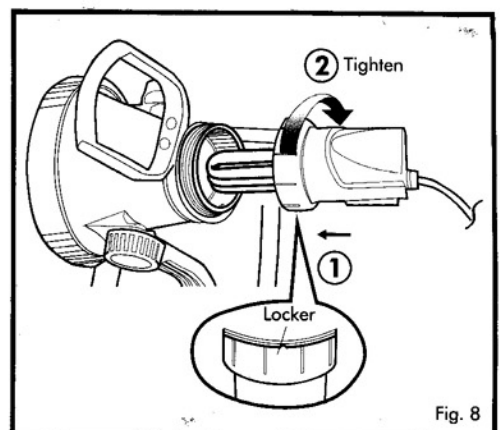
BULB REPLACEMENT



- To replace the old tube, loosen the collar in anticlockwise direction and detach the rear housing from the reflector body carefully.



- Unscrew and remove the bulb from the lamp holder and install the new energy saving light bulb.



- Tighten the collar in clock-wise direction and ensure the locker is properly engaged.

CLEANING

- Disconnect the power source before cleaning.
- Unscrew and remove all of the 6 front screws that hold the glass cover.
- Handle and clean the front glass with care. No solvent should be used as cleaning agent.
- Avoid touching the shiny reflector surface with bare hands. Use dry and smooth cloth to clean the reflector surface gently. Excess rubbing or cleaning may damage or deteriorate the reflector surface. Be careful not to break the tube of the bulb inside the luminaire.
- Place the front glass cover to the correct position with the Index provided. (Fig. 9)
- Secure the screws to affix the front glass cover.

MAINTENANCE

- Do not disassemble or service the product by yourself. Please contact qualified electrician for service or questions.

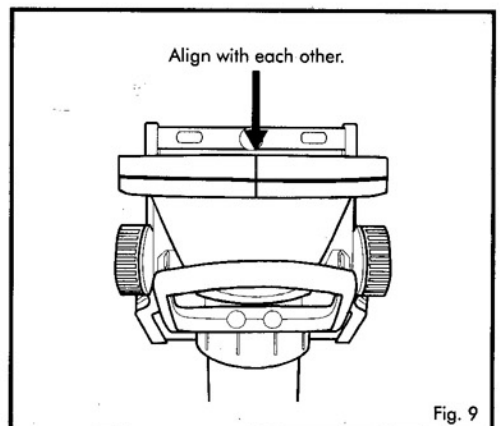


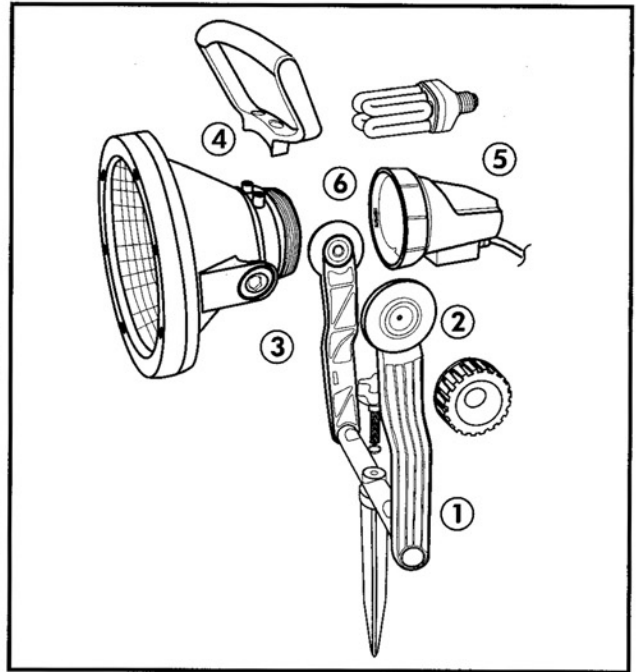
Fig. 9

CAUTION

- Always disconnect the power source before assembly, bulb installation or replacement, cleaning and maintenance.
- Only **ENERGY SAVING LIGHT BULB** can be used in the luminaire. Using incandescent bulb, halogen bulb or other kinds of light source will be resulted in risk of fire or electric shock.
- Make sure the water sealing O-rings are fitted in proper position after bulb installation, cleaning or maintenance. Twisting, mal-position or absence of the water sealing O-rings will cause the luminaire to fail the IP54 protection.
- Replace any broken protective front glass with the same type.
- Replace the damaged external flexible cord with the same type. (H05 RN-F 2x1mm²)
- Suitable for indoor and outdoor application such as garden, building etc.



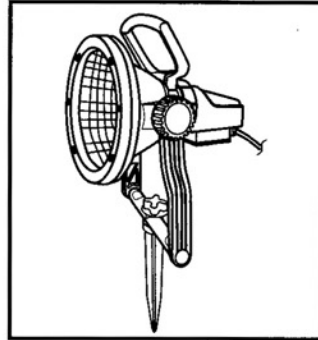
EXPLODED DIAGRAM



TECHNICAL SPECIFICATION

Model : Floodlight ADVANT
 Voltage : 220-240V~
 Frequency : 50/60Hz
 Maximum Wattage : 30W Energy Saving Light Bulb
 Lamp base : E 27
 IP Protection : IP54
 Dimension (LxWxH) : 222 x 272 x 330 mm
 Weight : 1.6 kg
 Max. Projected Angle : 80°

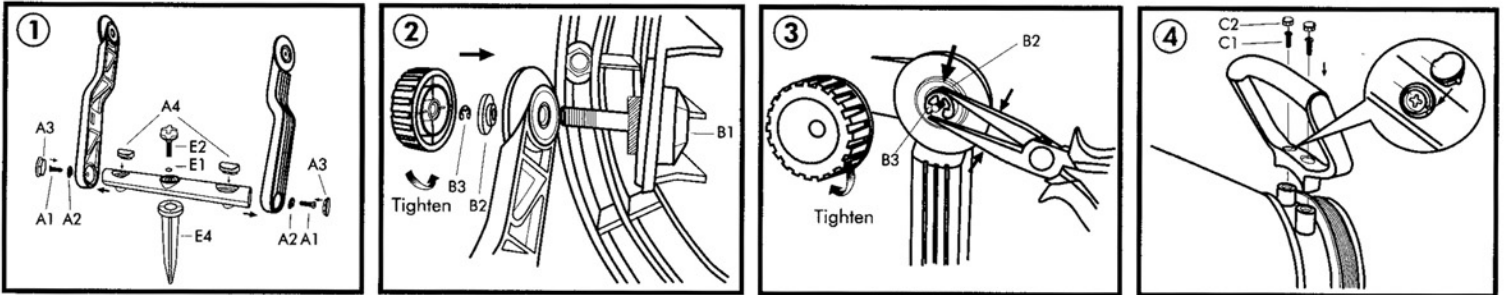
ASSEMBLY DIAGRAM



PART LIST

FOR FRAME					FOR MAIN FRAME TO REFLECTOR BODY			FOR HANDLE			FOR WALL MOUNTING			FOR SPIKE		
A1	A2	A3	A4	A5	B1	B2	B3	C1	C2	C3	D1	D2	D3	E1	E2	E3
2 pcs.	2 pcs.	2 pcs.	2 pcs.	2 pcs.	2 pcs.	2 pcs.	2 pcs.	2 pcs.	2 pcs.	2 pcs.	2 pcs.	2 pcs.	2 pcs.	1 pcs.	1 pcs.	1 pcs.

ASSEMBLY PROCEDURES

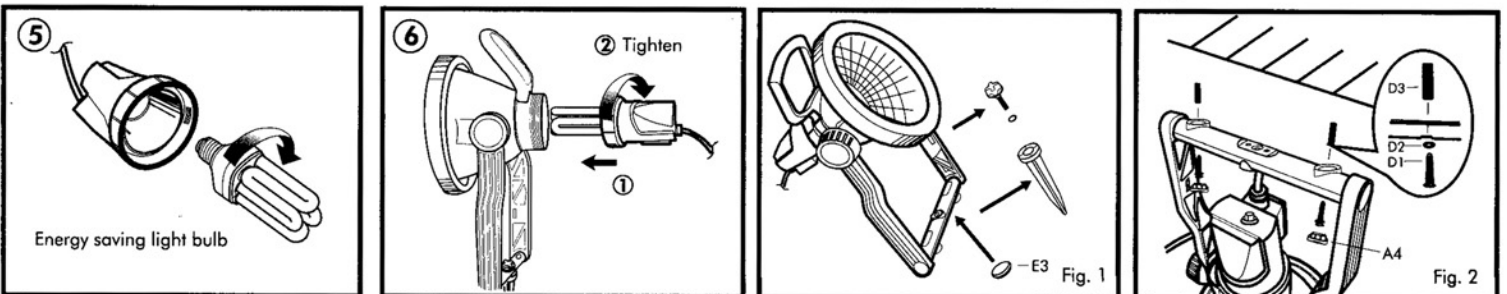


• Make sure the rubber base is facing downwards.

• Assembly of main frame to the reflector body.

• Handle assembly.

WALL-MOUNTED INSTALLATION



• To install a bulb in the luminaires for the first time, simply screw-in the energy saving light bulb to the lamp holder of the rear housing.

• Tighten the collar in clock-wise direction and ensure the locker is properly engaged.

• Remove the spike and install the E3.

• Follow the figure for wall-mounted installation. Use a 6 mm drill for the plastic anchor.

OPTIONAL CHOICE

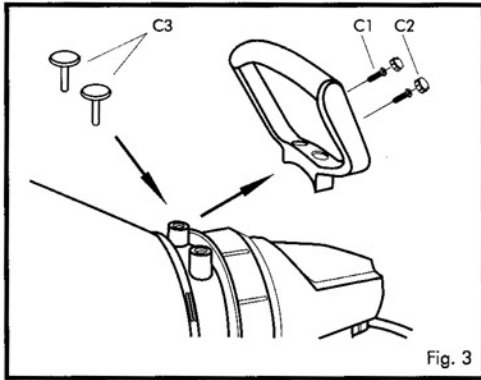


Fig. 3

- The user may remove the handle and cover the bosses by 2 plastic anchors.
- To replace the old bulb, loosen the collar in anticlockwise direction and detach the rear housing from the reflector body carefully.

POWER CORD REPLACEMENT (By Qualified Technician)

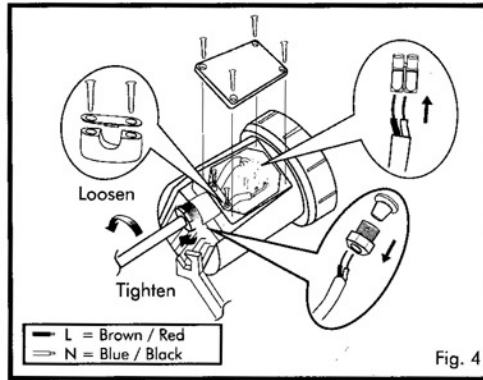


Fig. 4

- Follow the figure for power cord replacement.
- Make sure to use the power cord (H05 RN-F 2x1mm²) in diameter of 6.85mm +/- 0.15 for water proof.

BULB REPLACEMENT

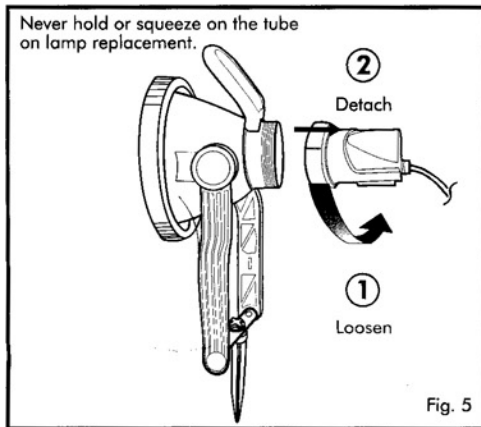


Fig. 5

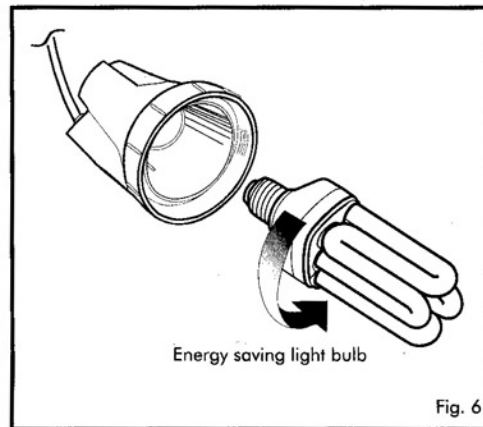


Fig. 6

- Unscrew and remove the bulb from the lamp holder and install the new energy saving light bulb.

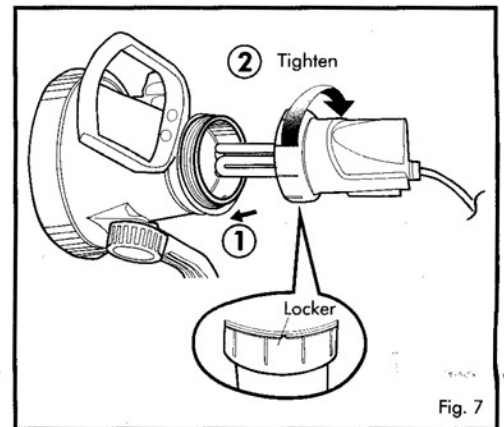


Fig. 7

- Tighten the collar in clock-wise direction and ensure the locker is properly engaged.

CLEANING

- Disconnect the power source before cleaning.
- Unscrew and remove all of the 6 front screws that hold the glass cover.
- Handle and clean the front glass with care. No solvent should be used as cleaning agent.
- Avoid touching the shiny reflector surface with bare hands. Use dry and smooth cloth to clean the reflector surface gently. Excess rubbing or cleaning may damage or deteriorate the reflector surface. Be careful not to break the tube of the bulb inside the luminaire.
- Place the front glass cover to the correct position with the Index provided. (Fig. 8)
- Secure the screws to affix the front glass cover.

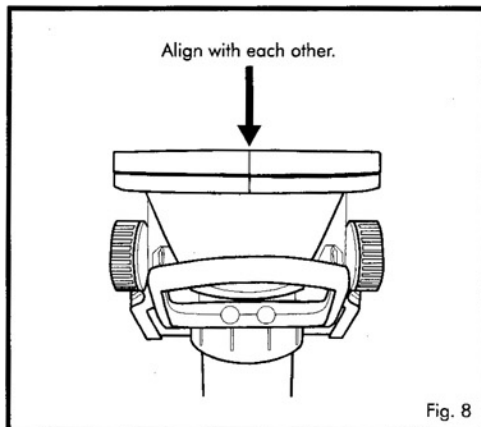


Fig. 8

MAINTENANCE

- Do not disassemble or service the product by yourself. Please contact qualified electrician for service or questions.