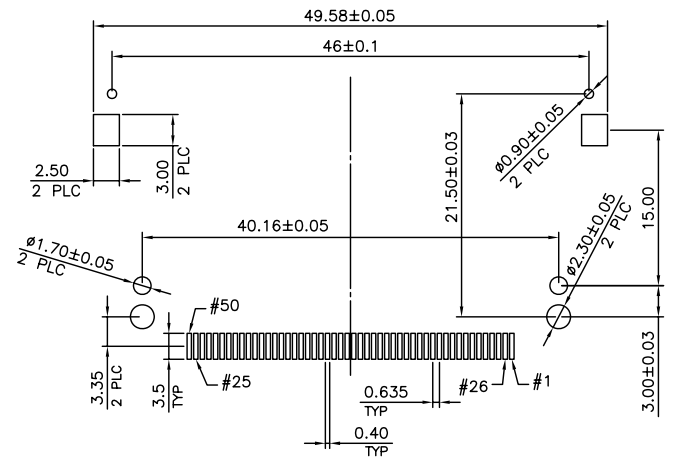
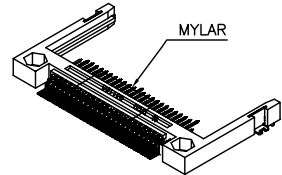
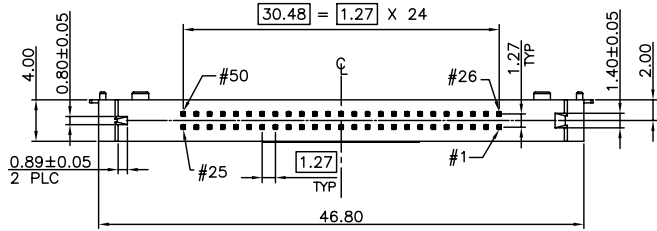
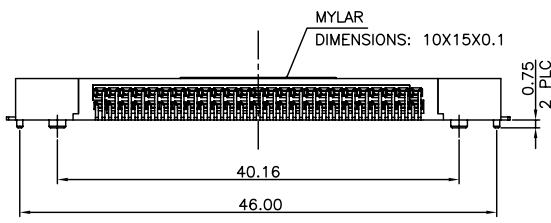
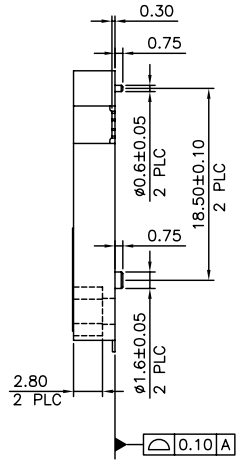
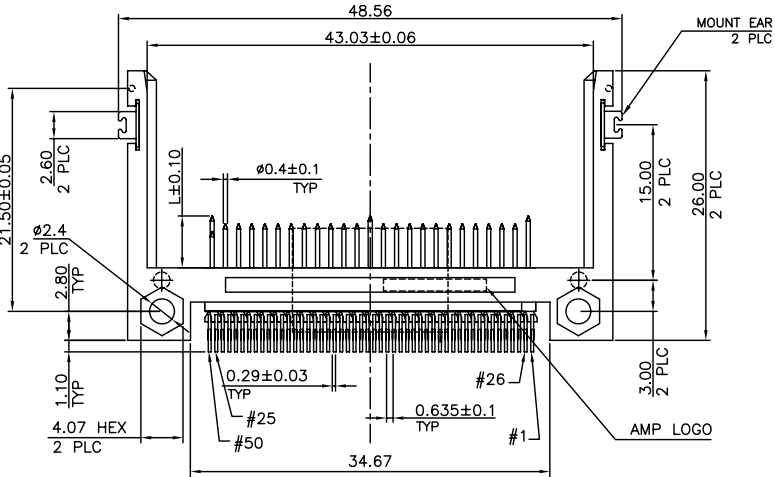


THIS DRAWING IS UNPUBLISHED. RELEASED FOR PUBLICATION  
 © COPYRIGHT BY TYCO ELECTRONICS CORPORATION. ALL RIGHTS RESERVED.

LOC	DIST	REVISIONS			
P	LTR	DESCRIPTION	DATE	DWN	APVD
DW		ECR-08-001294, ADD NEW P/N 2--1	21JAN08	SC	WK



- NOTE:
- MATERIAL:  
HOUSING: THERMOPLASTIC., UL 94V-0, COLOR: NATURAL.  
CONTACT: BRASS, THICKNESS=0.25mm.  
MOUNT EAR: BRASS, THICKNESS=0.30mm.
  - FINISH:  
CONTACT: GOLD PLATED (SEE TABLE) IN CONTACT AREA,  
100u" MIN. MATTE TIN ON SOLDER TAILS,  
50u" MIN. NICKEL UNDERPLATED ALL OVER.  
MOUNT EAR: 100u" MIN. TIN PLATED.
  - CONNECTOR REQUIRES USE OF 2 - SIZE M2 SCREWS FOR FASTENING TO PRINTED CIRCUIT BOARD.
  - REFLOW SOLDER CAPABLE TO 260°C PER TE SPEC 109-201, CONDITION B.



POWER	5.00mm
GENERAL	4.25mm
DETECT	3.50mm
PIN TYPE	INTERFACE DIM. L

REEL	W/	15μ"	2-1734451-1
TRAY	W/	GOLD FLASH	1-1734451-3
		30μ"	1-1734451-2
	W/O	15μ"	1-1734451-1
		30μ"	1734451-2
	15μ"	1734451-1	
PACKAGE	MYLAR	MIN. GOLD THICKNESS	PART NUMBER

THIS DRAWING IS A CONTROLLED DOCUMENT.

DIMENSIONS: MM	TOLERANCES UNLESS OTHERWISE SPECIFIED:	DWN S. CHIEN 21JAN2008	Tyco Electronics Tyco Electronics Corporation Taipei, Taiwan
0 PLC ± -	1 PLC ± 0.30	CHK S. HOU 21JAN2008	
2 PLC ± 0.20	3 PLC ± -	APVD W. KODAMA 21JAN2008	NAME
4 PLC ± -	ANGLES ± 2'	PRODUCT SPEC	108-57134
MATERIAL SEE NOTE	FINISH SEE NOTE	QUALIFICATION TEST REPORT	501-57118
		WEIGHT	A3 00779 C=1734451
		CUSTOMER DRAWING	SCALE SHEET 1 OF 3 REV C

4

3

2

1

THIS DRAWING IS UNPUBLISHED.

RELEASED FOR PUBLICATION

© COPYRIGHT BY TYCO ELECTRONICS CORPORATION.

ALL RIGHTS RESERVED.

LOC  
DW

DIST

REVISIONS

P	LTR	DESCRIPTION	DATE	DWN	APVD
		SEE SHEET 1.			

TRAY PACKING:AS SHOWN

TRAY  
TOP LAYER IS EMPTY

NOTES:

- TRAY: PS.  
SHIPPING CARTON: CORRUGATED FIBERBOARD
- DIMENSION :  
TRAY : L=346mm X W=215mm X H=7.5mm  
SHIPPING CARTON : L=356mm, W=241mm, H=292mm
- QUANTITY :  
25 PCS/TRAY  
40 TRAYS/SHIPPING CARTON (1,000PCS)
- WEIGHT:  
NET WEIGHT : 5.0 Kg  
GROSS WEIGHT : 6.0 Kg

CARTON

THIS DRAWING IS A CONTROLLED DOCUMENT.

DIMENSIONS:

MM

TOLERANCES UNLESS OTHERWISE SPECIFIED:

0 PLC	± -
1 PLC	± -
2 PLC	± -
3 PLC	± -
4 PLC	± -
ANGLES	± -

MATERIAL

FINISH

DWN

CHK

APVD

PRODUCT SPEC

APPLICATION SPEC

WEIGHT

CUSTOMER DRAWING

Tyco Electronics Corporation  
Taipei, Taiwan

NAME

PIN HEADER SLIM TYPE, 50 POS, TOP BOARD,  
COMPACT FLASH CARD

SIZE

CAGE CODE

DRAWING NO

RESTRICTED TO

A3

00779

C=1734451

SCALE

SHEET

2 OF 3

REV

C

AMP 1470-19 REV 31MAR2000

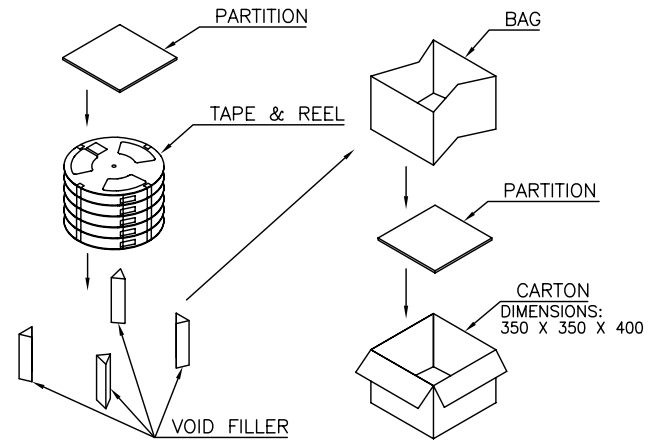
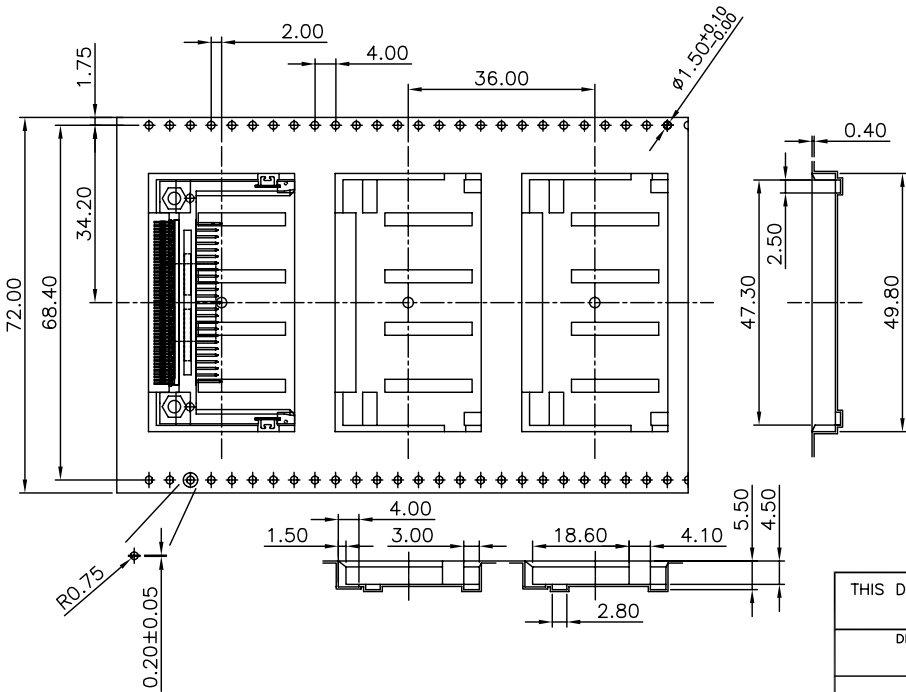
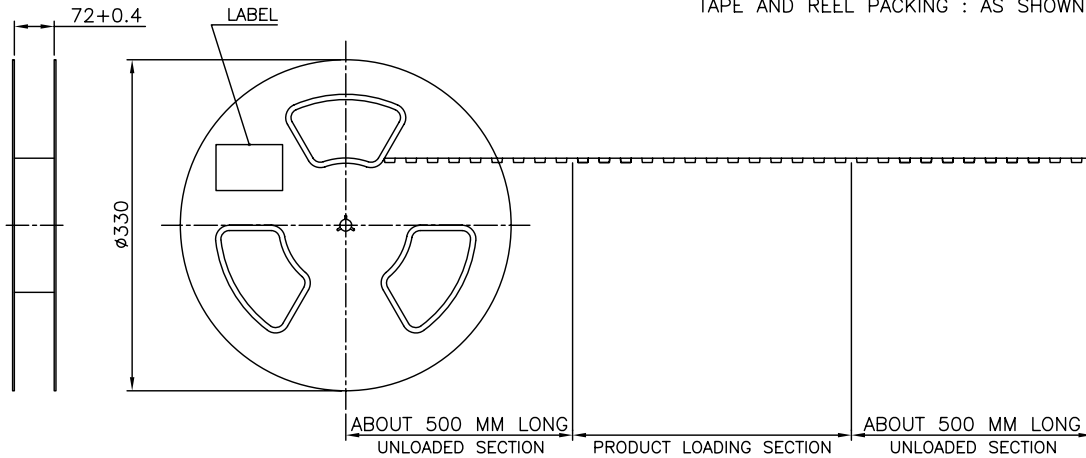
THIS DRAWING IS UNPUBLISHED. RELEASED FOR PUBLICATION  
 © COPYRIGHT BY TYCO ELECTRONICS CORPORATION. ALL RIGHTS RESERVED.

LOC DW	DIST	REVISIONS		
P	LTR	DESCRIPTION	DATE	DWN APVD
		SEE SHEET 1.		

TAPE AND REEL PACKING : AS SHOWN

NOTE:

- PACKAGING MATERIAL IN PLASTIC, RUBBER, INK, PIGMENT AND PAINT MUST MEET CONTROLLED SUBSTANCES TE SPEC PER 230-702.
  - \* CADMIUM AND CADMIUM COMPOUNDS NOT TO EXCEED: 5 PPM.
  - \* LEAD, CADMIUM, CHROM VI AND MERCURY NOT TO EXCEED: 100 PPM (COMBINED).
- EACH BAG SHALL BE INCLUDED:
  - \* DESICCANT
  - \* HUMIDITY INDICATOR CARD
  - \* MOISTURE SENSITIVITY LABEL
- CARRIER TAPES, COVER TAPES, REELS AND TAPED COMPONENTS MUST MEET THE REQUIREMENTS DEFINED PER EIA-481-B.
- CARTON MATERIAL : CORRUGATED FIBERBOARD  
TAPE&REEL MATERIAL : PS
- PEELING RESISTANCE : 0.1N~1.5N(10g~150g)  
PEELING SPEED : 300mm/MIN



200	5	1000	3.45	7.9
PCS/ TAPE	REELS/ CARTON	QUANTITY (PCS)	G/W (Kg)	N/W (Kg)

THIS DRAWING IS A CONTROLLED DOCUMENT.

DIMENSIONS: MM	TOLERANCES UNLESS OTHERWISE SPECIFIED: 0 PLC ± - 1 PLC ± - 2 PLC ± - ±0.5 3 PLC ± - 4 PLC ± - ANGLES ± -	DWN	Tyco Electronics Tyco Electronics Corporation Taipei, Taiwan
	FINISH	CHK	
MATERIAL		APVD	NAME
		PRODUCT SPEC	PIN HEADER SLIM TYPE, 50 POS, TOP BOARD, COMPACT FLASH CARD
		APPLICATION SPEC	SIZE CAGE CODE DRAWING NO RESTRICTED TO
		WEIGHT	A3 00779 C=1734451
		CUSTOMER DRAWING	SCALE SHEET 3 of 3 REV C