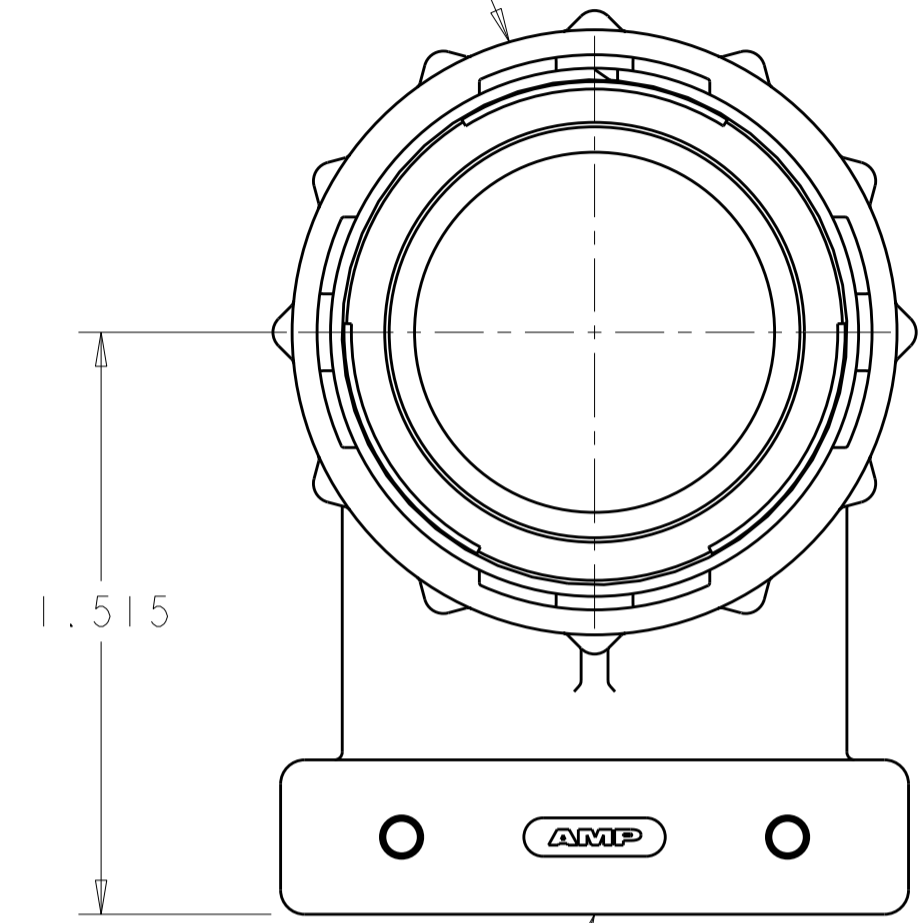


THIS DRAWING IS UNPUBLISHED. RELEASED FOR PUBLICATION
 © COPYRIGHT 19 BY TYCO ELECTRONICS CORPORATION. ALL RIGHTS RESERVED.

LOC	DIST	REVISIONS			
P	LTR	DESCRIPTION	DATE	DWN	APVD
FT	0				
	O	RELEASED			
	A	ADDED -2, ECO-07-002839	08FEB2007	SW	SH

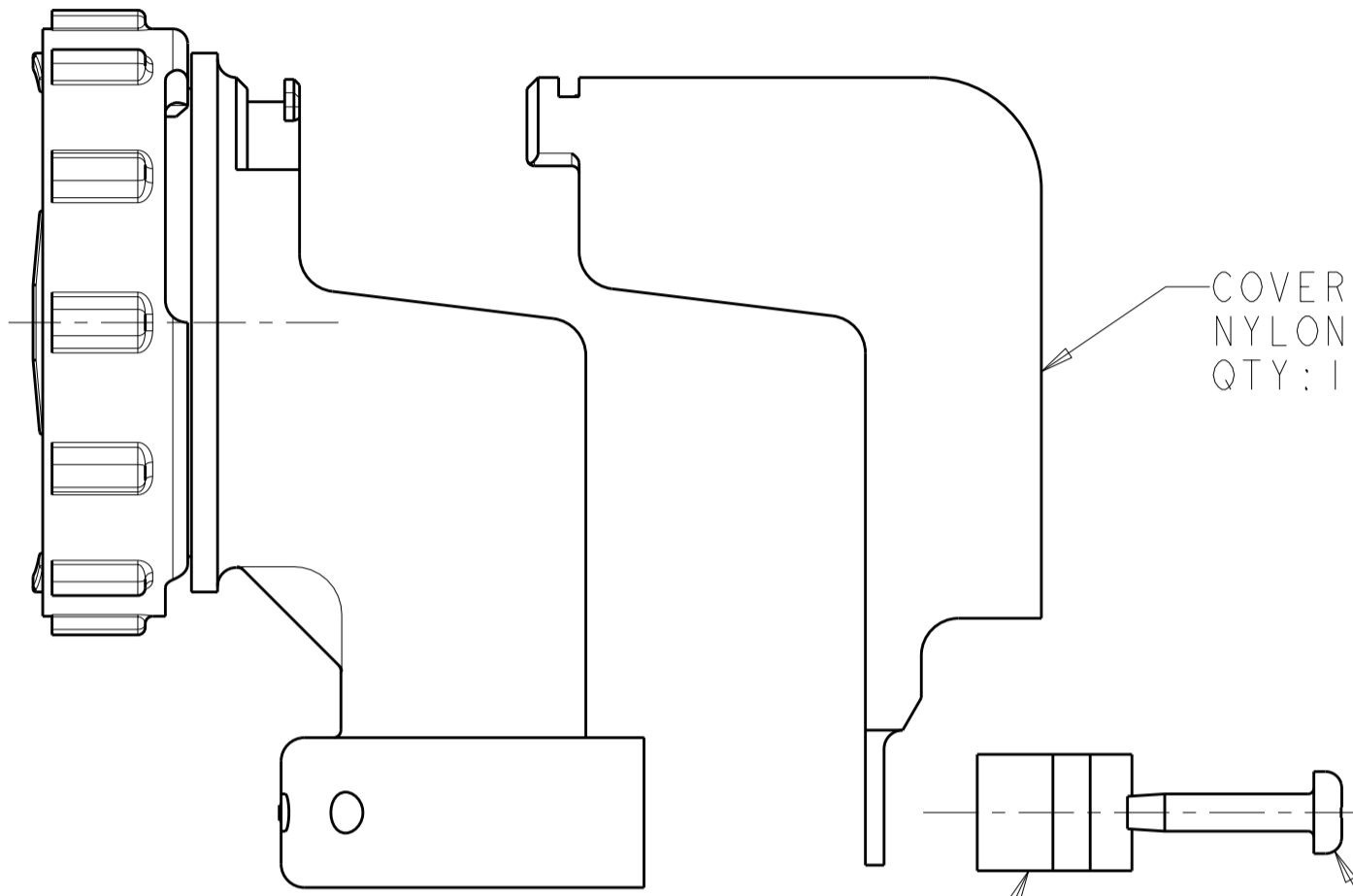
COUPLING RING
 NYLON, COLOR:BLACK

FLAT RING



CABLE CLAMP BODY
 NYLON, COLOR:BLACK

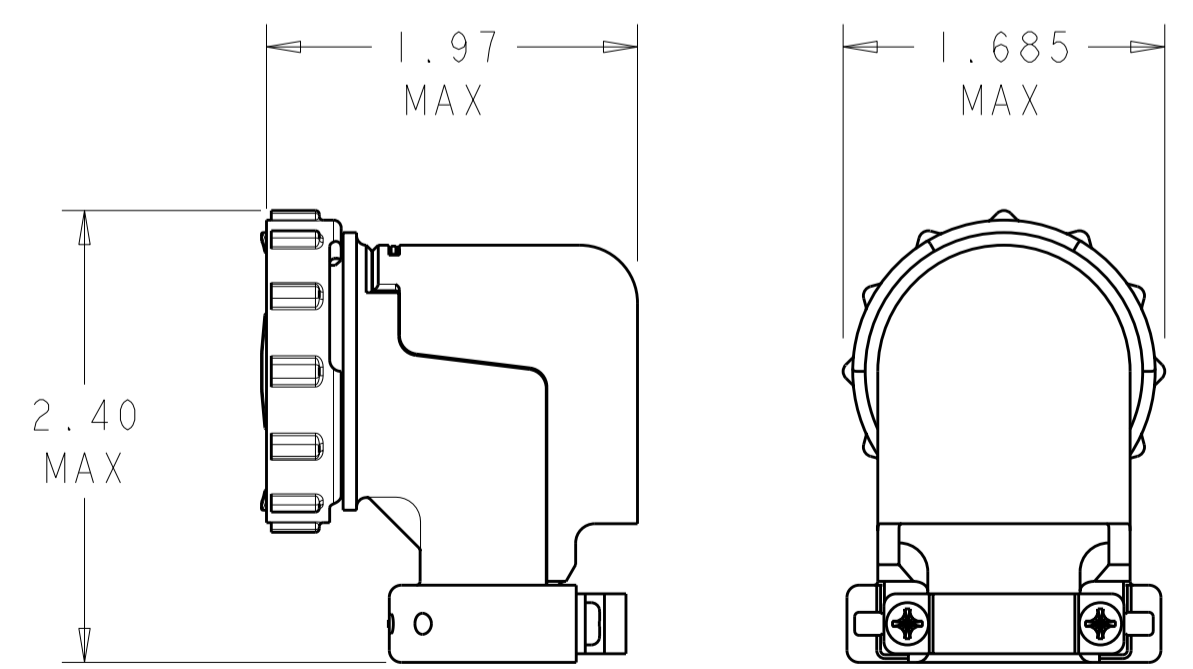
COVER
 NYLON, COLOR:BLACK
 QTY:1



CABLE CLAMP INSERT
 NYLON, COLOR:BLACK
 QTY:2

5-20 SELF TAPPING SCREW
 MATERIAL: STEEL
 FINISH: ZINC PLATED
 QTY:2

- ① SELF TAPPING SCREWS AND CABLE CLAMP INSERTS PACKAGED UNASSEMBLED.
- ② CLAMPING AREA ADJUSTABLE TO .703 O.D. MAX CABLE. CABLE CLAMP INSERTS CAN BE ADJUSTED BY INVERTING OR CHANGING CABLE CLAMP INSERT.



ASSEMBLED VIEW
 SCALE: 1:1

ZINC PLATED CLEAR CHROMATE, TYPE III	1546350-2
ZINC PLATED	1546350-1
SCREW FINISH	PART NUMBER

<small>THIS DRAWING IS A CONTROLLED DOCUMENT FOR TYCO ELECTRONICS CORPORATION IT IS SUBJECT TO CHANGE AND THE CONTROLLING ENGINEERING ORGANIZATION SHOULD BE CONTACTED FOR THE LATEST REVISION.</small>		DWN	S. WELDON	13AUG2002	AMP Incorporated Harrisburg, PA 17105-3608
DIMENSIONS: INCHES		CHK	S. HEADER	13AUG2002	
TOLERANCES UNLESS OTHERWISE SPECIFIED: 0 PLC ± 1 PLC ± 2 PLC ± 3 PLC ±0.005 4 PLC ± ANGLES ± FINISH -		APVD	S. HEADER	13AUG2002	
MATERIAL		PRODUCT SPEC		NAME	
		APPLICATION SPEC		CABLE CLAMP KIT, UNASSEMBLED, R/A, W/COVER, SIZE 23, CPC	
		WEIGHT		SIZE	RESTRICTED TO
		CUSTOMER DRAWING		A2	
		SCALE 2:1		CAGE CODE	DRAWING NO
		SHEET 1 OF 1		00779	1546350
		REV A			