

- ⚠ CABLE USED WITHOUT SPACER
- ⚠ CABLE USED WITH SPACER
- 3. SEE INSTRUCTION SHEET 408-9021
- 4. PARTS PACKAGED UNASSEMBLED
- ⚠ USE WITH PRO-CRIMPER 354940-1.
- ⚠ SPECIAL PACKAGING: INDIVIDUALLY PACKAGED IN PRE-PRINTED BAG WITH SPECIAL GRAPHICS
- ⚠ BULK KIT PACKAGING 25 PIECES
- ⚠ BULK KIT PACKAGING 100 PIECES

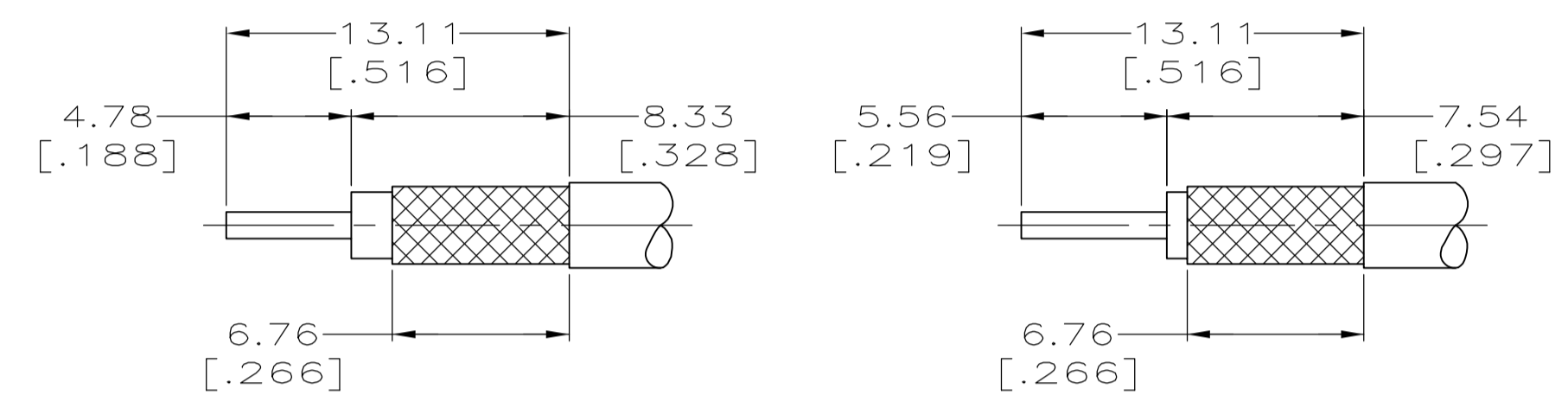
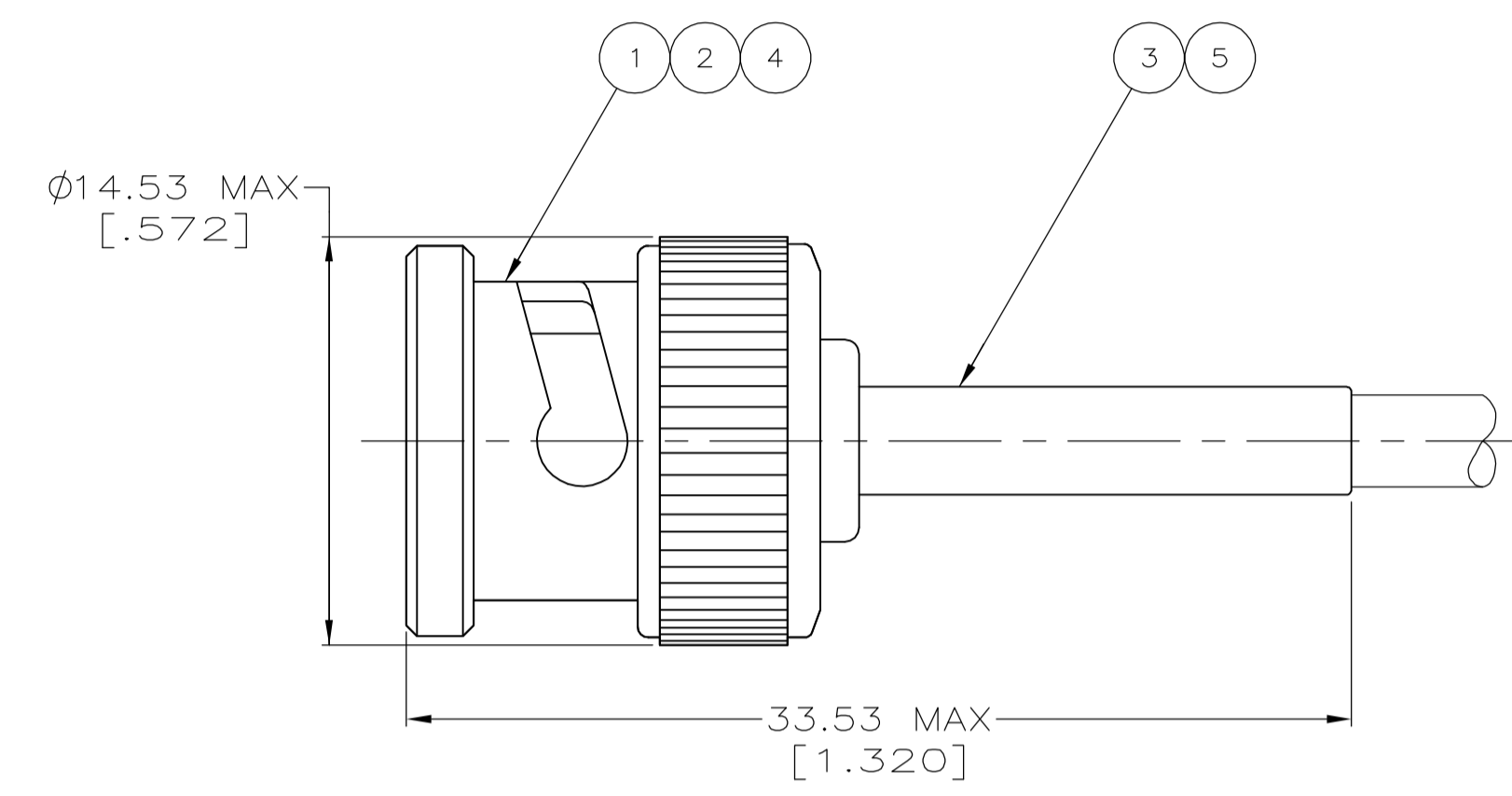


FIGURE 1
 FIGURE 2
 RECOMMENDED STRIP LENGTH

JIS CABLE 3D-2V	⚠	5.41 [1.213]	1.73 [1.068]	58436-1	FIG 1	-	-	8-221132-9	1-222246-6	9-413636-3	3-5221128-1
BELDEN 9907, 89907 & RG-141/U	⚠	5.41 [1.213]	1.73 [1.068]	58436-1	FIG 1	-	-	9-221132-0	1-222246-6	9-413636-0	2-5221128-7
RG-179/U, 187/U	⚠	4.52 [1.178]	1.73 [1.068]	58436-3	FIG 1	227194-1	-	9-413658-0	1-222246-3	9-413636-2	2-5221128-3
RG-174/U, 188/U, 316/U	⚠	4.52 [1.178]	1.73 [1.068]	58436-3	FIG 1	227194-1	-	9-413658-0	1-222246-0	9-413636-2	2-5221128-1
RG-59/U, 59A/U, 59B/U	⚠	6.48 [1.255]	1.73 [1.068]	58436-1	FIG 1	-	227423-1	9-221132-1	222246-6	9-413636-1	1-5221128-8
BELDEN 9266	⚠	6.48 [1.255]	1.73 [1.068]	58436-1	FIG 1	-	-	9-221132-1	222246-2	9-413636-1	1-5221128-7
⚠ RG-62/U, 62A/U, 62B/U	⚠	6.48 [1.255]	1.73 [1.068]	58436-1	FIG 2	-	227423-1	9-221132-1	222246-4	9-413636-1	1-5221128-1
⚠ RG-59/U, 59A/U, 59B/U	⚠	6.48 [1.255]	1.73 [1.068]		FIG 1						
⚠ RG-58/U, 58A/U, 58B/U, 58C/U	⚠	5.41 [1.213]	1.73 [1.068]	58436-1	FIG 1	-	-	9-221132-0	222246-2	9-413636-0	1-5221128-0
⚠ RG-62/U, 62A/U, 62B/U	⚠	6.48 [1.255]	1.73 [1.068]	58436-1	FIG 2	-	227423-1	9-221132-1	222246-4	9-413636-1	5221128-2
⚠ RG-59/U, 59A/U, 59B/U	⚠	6.48 [1.255]	1.73 [1.068]		FIG 1						
⚠ RG-58/U, 58A/U, 58B/U, 58C/U	⚠	5.41 [1.213]	1.73 [1.068]	58436-1	FIG 1	-	-	9-221132-0	222246-2	9-413636-0	5221128-1
FOR USE WITH CABLE	PACKAGING	FERRULE CONTACT HEX CRIMP HEIGHTS		DIE SET ⚠	STRIP LENGTH ⚠	TUBING QTY=1 ⚠	SPACER QTY=1 ⚠	FERRULE QTY=1 ⚠	CONTACT, PLUG QTY=1 ⚠	PLUG ASSEMBLY QTY=1 ⚠	PART NUMBER

THIS DRAWING IS A CONTROLLED DOCUMENT.

DIMENSIONS: mm [INCHES]	TOLERANCES UNLESS OTHERWISE SPECIFIED:	DRAWN: J. ALCORTA - 21APR2005	DESIGNED: J. HAVENER - 21APR2005	APPROVED: J. LIPPERT - 21APR2005	NAME: J. LIPPERT	DATE: 21APR2005	TYCO Electronics	Tyco Electronics Corporation Harrisburg, PA 17105-3608
0 PLC ± -	1 PLC ± -	2 PLC ± 0.41 [016]	3 PLC ± -	4 PLC ± -	ANGLES ± -	FINISH -	SIZE: A1	SCALE: 4:1
MATERIAL: -	FINISH: -	WEIGHT: -	CUSTOMER DRAWING	DRAWING NO: 00779	REV: C	DRAWING NO: 5221128	RESTRICTED TO: -	SHEET 1 OF 1