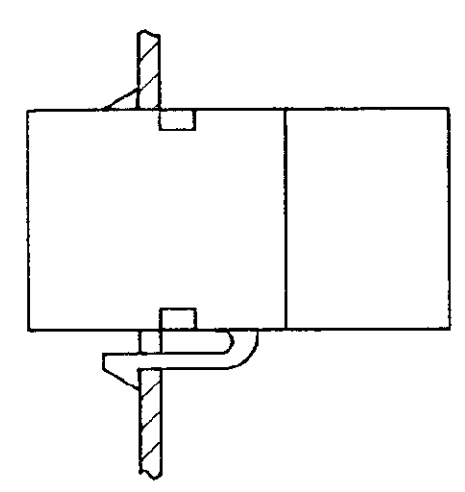
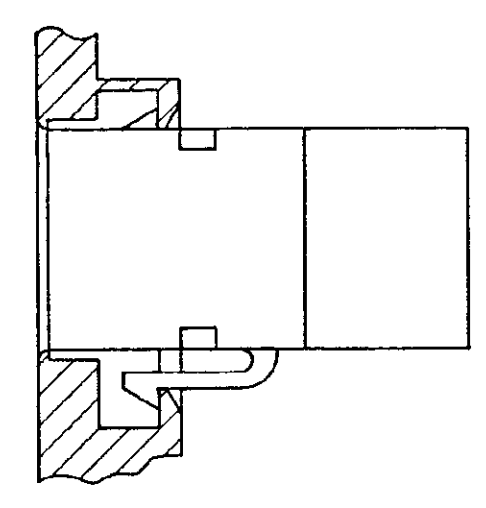
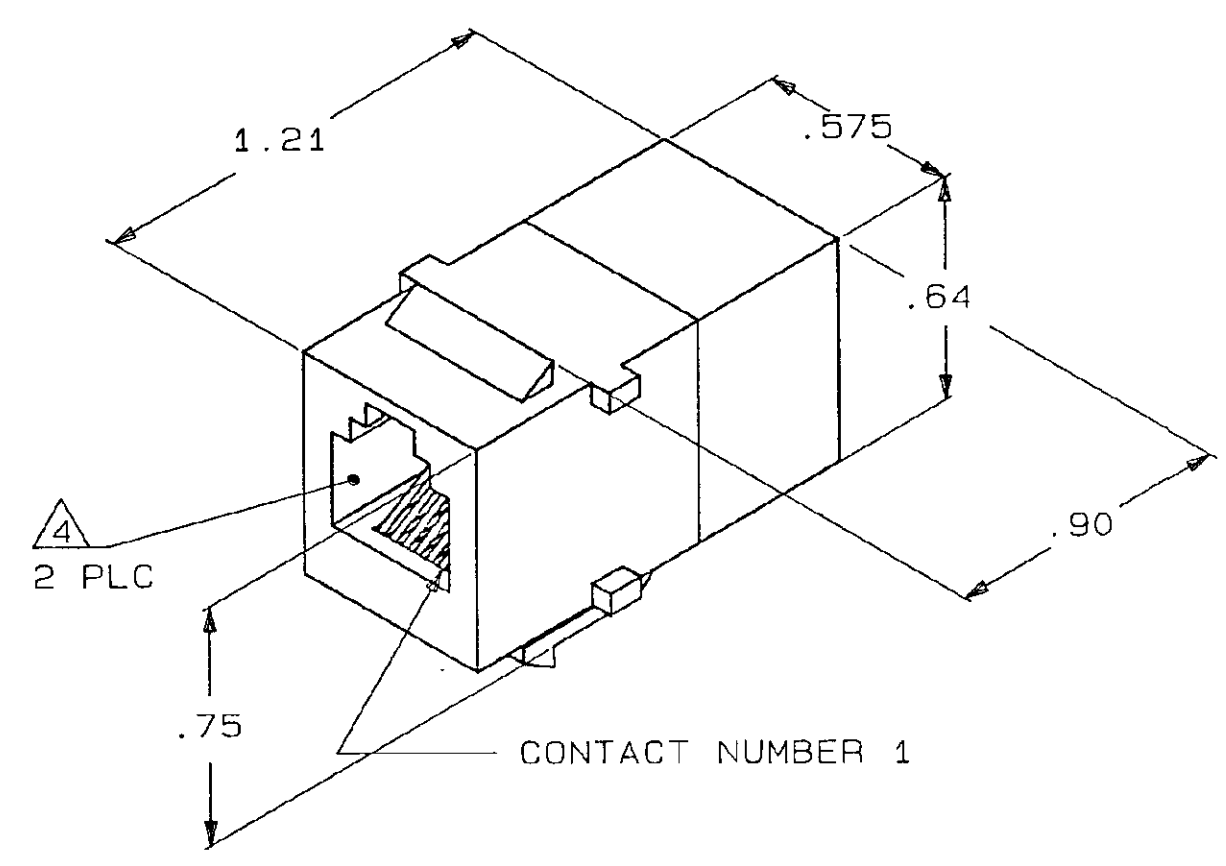


LOC		DIST		REVISIONS				DATE	APPD
AA	28	P	F	ZONE	LTR	DESCRIPTION			
				D	D	REV; ECN AA-5169	7-20-88	RN TC	

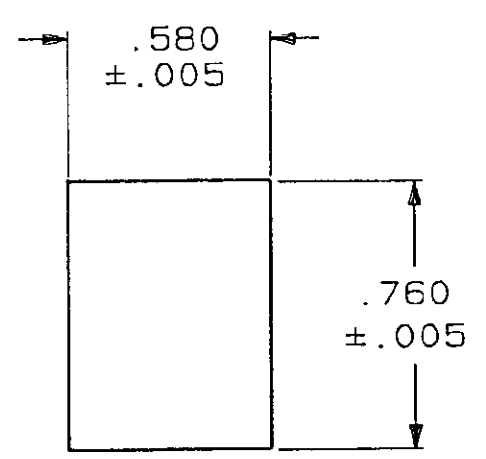
- ALL DIMENSIONS SHOWN ARE MAXIMUM UNLESS OTHERWISE SPECIFIED.
- △ MATERIAL:

HOUSING - POLYPHENYLENE OXIDE, BLACK.
 TERMINAL - .018 DIA PHOSPHOR BRONZE PLATED WITH .000050 MINIMUM THICK GOLD OVER .000050 MINIMUM THICK NICKEL.
- MOUNTING PANEL THICKNESS .062 NOMINAL.
- △ CAVITIES SHALL CONFORM TO FCC RULES AND REGULATIONS, PART 68, SUBPART F.

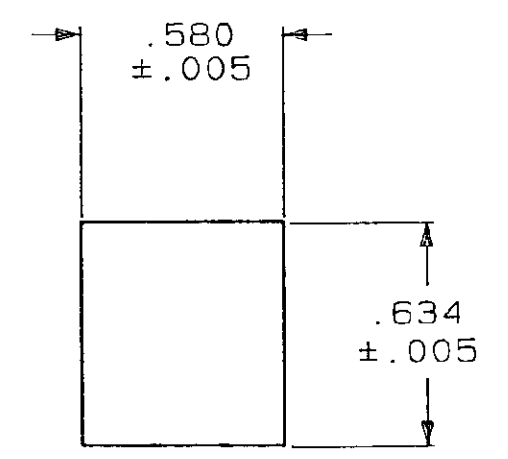


DOUBLE WALL PLATE
NOT TO SCALE

SINGLE WALL PLATE



RECOMMENDED PANEL CUTOUT
FOR SINGLE WALL PLATE
AND BACK PANEL FOR
DOUBLE WALL PLATE



RECOMMENDED FRONT PANEL
CUTOUT FOR DOUBLE
WALL PLATE

DO NOT SCALE PRINT. UNLESS SPECIFIED. DIMENSIONS IN INCHES. TOLERANCES ON:		DR C.YATES 3-17-87		555050-1	
2 PLC DEC ± -		CHK B.FOX 3-27-87		PART NO	
3 PLC DEC ± -		APPD G.FOSTER 4-1-87		AMP INCORPORATED Harrisburg, Pa. 17105	
ANGLES ± -		APPD G.FOSTER 4-1-87		NAME	
MATERIAL △		PRODUCT SPEC		COUPLER ASSEMBLY, 6 POSITION, IN-LINE	
FINISH △		APPLICATION SPEC		SIZE C	FSCM NO 00779
		WEIGHT -		DRAWING NO	555050
				SCALE 2:1	SHEET 1 OF 1