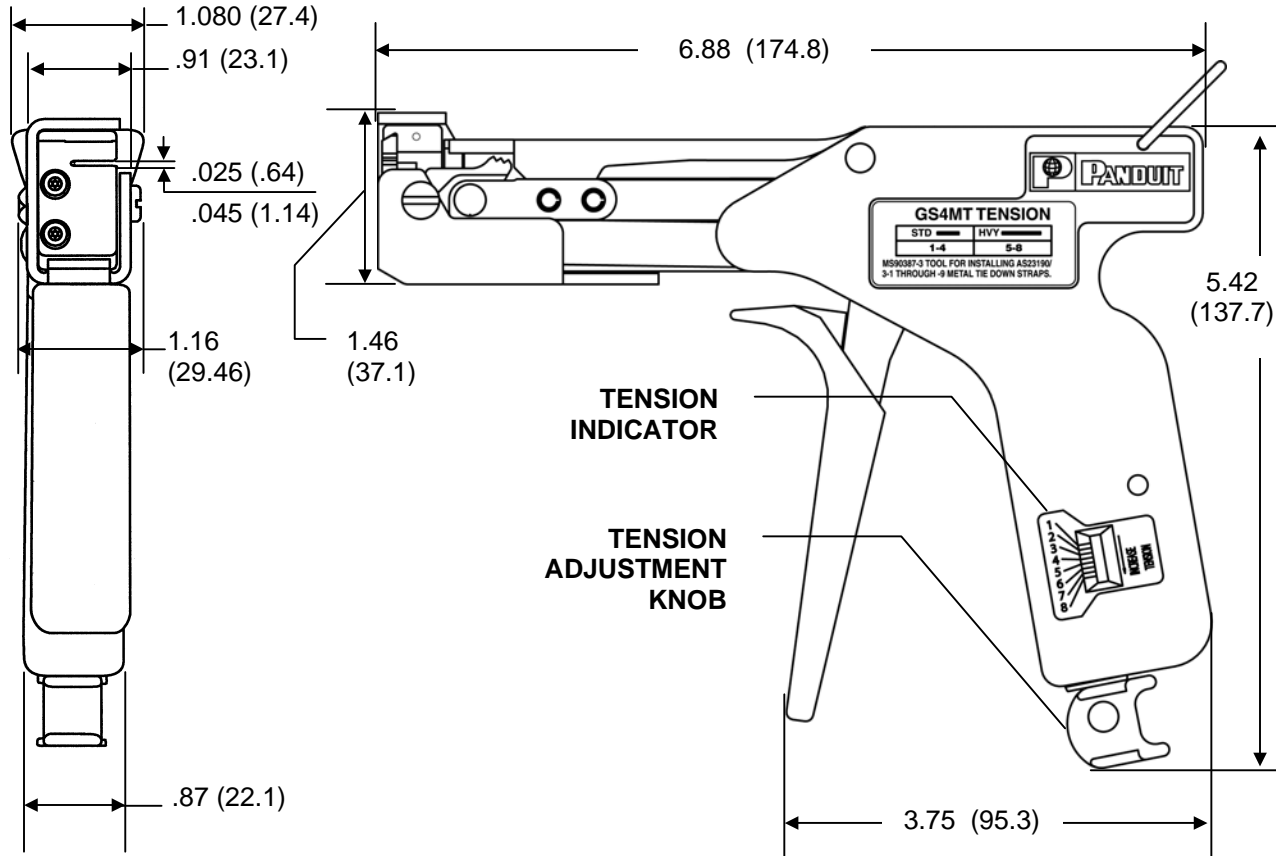


THIS COPY IS PROVIDED ON A RESTRICTED BASIS AND IS NOT TO BE USED IN ANY WAY DETRIMENTAL TO THE INTERESTS OF PANDUIT CORP.



SPECIFICATIONS:

PANDUIT TOOL NO.: GS4MT
 TOOL WEIGHT: 19.2 oz. (544 gr.)

INSTALLS PANDUIT PAN-STEEL STANDARD (STD), LIGHT-HEAVY (LH) AND HEAVY (HVY) CROSS SECTION STAINLESS STEEL TIES.

- THIS MILITARY STANDARD MS-90387-3 TOOL CAN BE USED TO INSTALL THE FOLLOWING MLT STRAPS: AS23190/3-1,2,3,4,5,6,7,8,9
- THIS TOOL TIGHTENS STAINLESS STEEL TIES AND CUTS OFF EXCESS PORTION WHEN PRESET TENSION IS ATTAINED
- SUPPLIED WITH SELECTOR KNOB FOR TENSION ADJUSTMENT.

DIMENSIONS SHOWN IN PARENTHESES ARE METRIC

F:/RVUSERS/ENGDOCS/CUSTDWGS/WB17905A01_02.doc

									PANDUIT CORP. TINLEY PARK, ILLINOIS	
									GS4MT CUSTOMER DRAWING	
									UNLESS OTHERWISE SPECIFIED, DIMENSIONAL TOLERANCES ARE:	
									UNLESS OTHERWISE SPECIFIED, ALL DIMENSIONS ARE GIVEN IN INCHES, THIRD ANGLE PROJECTION.	
02	10-25-06	BLR	ABJ	UPDATE STRAP SPEC "MLT / AS"	4198	--	LAH		(.x) ± ---	(.xxx) ± ---
01	7-25-05	BLR	ABJ	REDRAWN WITH CHANGES: STRAP RANGE, WEIGHT (OZ).	4156	--	DLWE		(.xx) ± ---	ANGLES ± ---
REV	DATE	BY	CHK'D	DESCRIPTION	ECN	-R	CUST	SUP	SCALE NONE	
									DRAWING NO. WB17905A01	
									DWG A SIZE	