

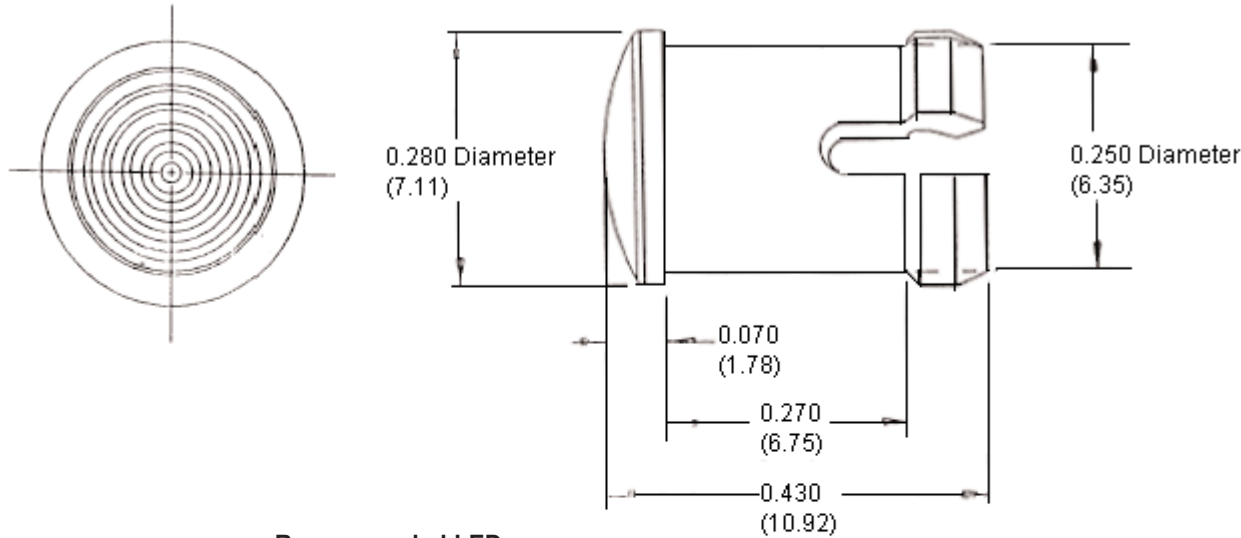


PART NO.

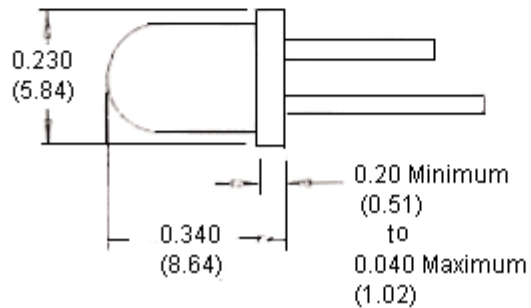
CLF280 - Series

REVISIONS

ECN #	REV	DESCRIPTION	DRAWN	DATE	CHECKD	DATE	APPRVD	DATE
-	A	RELEASED	Jagan	13/02/10	Sreejesh	13/02/10	Farnell	01/03/10



Recommended LED
Size T-1 3/4



Dimensions : Inches (Millimetres)

This data sheet and its contents (the "Information") belong to the Premier Farnell Group (the "Group") or are licensed to it. No licence is granted for the use of it other than for information purposes in connection with the products to which it relates. No licence of any intellectual property rights is granted. The Information is subject to change without notice and replaces all data sheets previously supplied. The Information supplied is believed to be accurate but the Group assumes no responsibility for its accuracy or completeness, any error in or omission from it or for any use made of it. Users of this data sheet should check for themselves the Information and the suitability of the products for their purpose and not make any assumptions based on information included or omitted. Liability for loss or damage resulting from any reliance on the Information or use of it (including liability resulting from negligence or where the Group was aware of the possibility of such loss or damage arising) is excluded. This will not operate to limit or restrict the Group's liability for death or personal injury resulting from its negligence. SPC MULTICOMP is the registered trademark of the Group. © Premier Farnell plc 2009.

TOLERANCES:

UNLESS OTHERWISE SPECIFIED, DIMENSIONS ARE FOR REFERENCE PURPOSES ONLY.

DRAWN BY:	DATE:
Jagan	13/02/10
CHECKED BY:	DATE:
Sreejesh	13/02/10
APPROVED BY:	DATE:
Farnell	01/03/10

DRAWING TITLE:

Lens Mount - 3mm & 5mm

SIZE A	DWG NO. M10002499	ELECTRONIC FILE 354571_DWG	REV A
SCALE: NTS		U.O.M.: Inches (mm)	SHEET: 1 OF 2



PART NO.

CLF280 - Series

REVISIONS

ECN #	REV	DESCRIPTION	DRAWN	DATE	CHECKD	DATE	APPRVD	DATE
-	A	RELEASED	Jagan	13/02/10	Sreejesh	13/02/10	Farnell	01/03/10

Specifications:

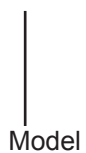
- Material : Polycarbonate.
- Design : Standard profile lens using fresnel rings and striated lines.
- Mounting : Mounts through the front of panel.
- : Mounting holes should be deburred but not chamfered.
- : Lens mounts in a 0.250 ±0.002 (6.35mm) hole on 3/8 inches centres.
- : Panel thickness 1/16 to 1/8 inches.
- : Standard metal or plastic washer can be used to increase panel thickness if necessary.

Part Number Table

Description	Part Number
Lens/Mount, Red	CLF280RTP
Lens/Mount, Amber	CLF280ATP
Lens/Mount, Green	CLF280GTP
Lens/Mount, Yellow	CLF280YTP
Lens/Mount, Clear	CLF280CTP

Part Number Explanation:

CLF280



Model

RTP



Colour

- Colour** : RTP = Red Transparent
- : ATP = Amber Transparent
- : GTP = Green Transparent
- : YTP = Yellow Transparent
- : CTP = Clear Transparent.

<http://www.farnell.com>

<http://www.newark.com>

<http://www.cpc.co.uk>

This data sheet and its contents (the "Information") belong to the Premier Farnell Group (the "Group") or are licensed to it. No licence is granted for the use of it other than for information purposes in connection with the products to which it relates. No licence of any intellectual property rights is granted. The Information is subject to change without notice and replaces all data sheets previously supplied. The Information supplied is believed to be accurate but the Group assumes no responsibility for its accuracy or completeness, any error in or omission from it or for any use made of it. Users of this data sheet should check for themselves the Information and the suitability of the products for their purpose and not make any assumptions based on information included or omitted. Liability for loss or damage resulting from any reliance on the Information or use of it (including liability resulting from negligence or where the Group was aware of the possibility of such loss or damage arising) is excluded. This will not operate to limit or restrict the Group's liability for death or personal injury resulting from its negligence. SPC MULTICOMP is the registered trademark of the Group. © Premier Farnell plc 2009.

TOLERANCES:

UNLESS OTHERWISE SPECIFIED, DIMENSIONS ARE FOR REFERENCE PURPOSES ONLY.

DRAWN BY:

Jagan

CHECKED BY:

Sreejesh

APPROVED BY:

Farnell

DATE:

13/02/10

DATE:

13/02/10

DATE:

01/03/10

DRAWING TITLE:

Lens Mount - 3mm & 5mm

SIZE **A** DWG NO.

M10002499

ELECTRONIC FILE
354571_DWG

REV
A

SCALE: NTS

U.O.M.: Inches (mm)

SHEET: 2 OF 2