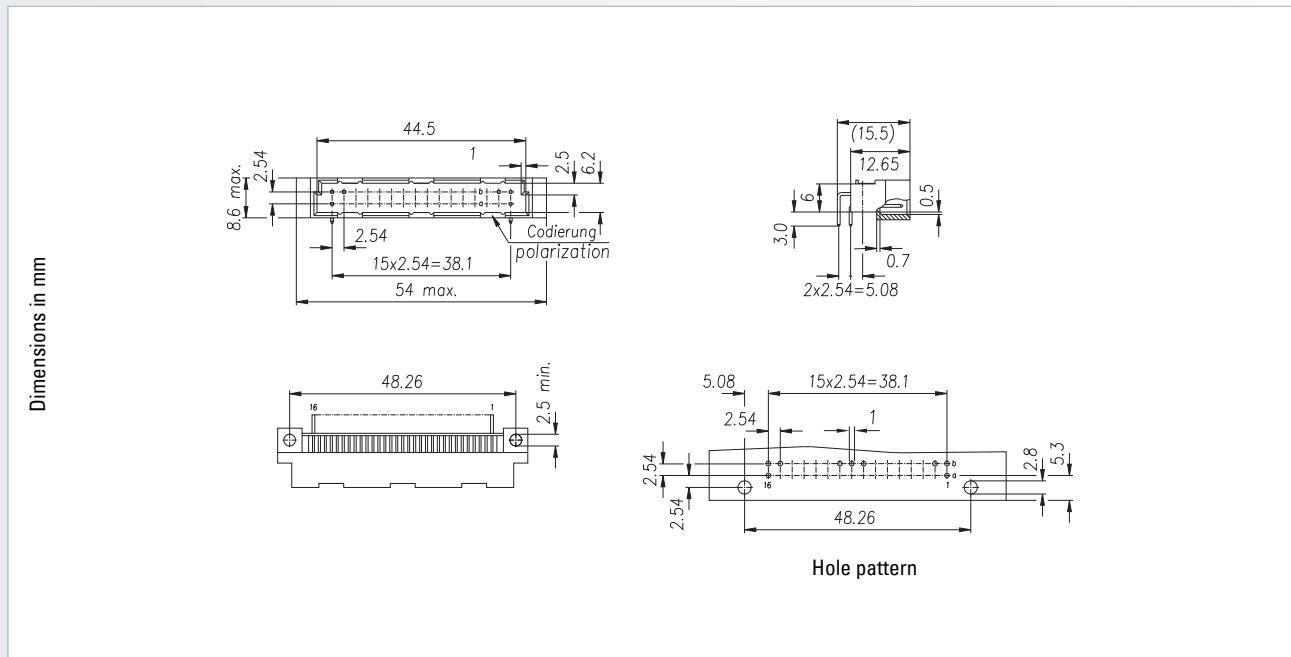


## Connectors according to DIN 41612 / IEC 60603-2

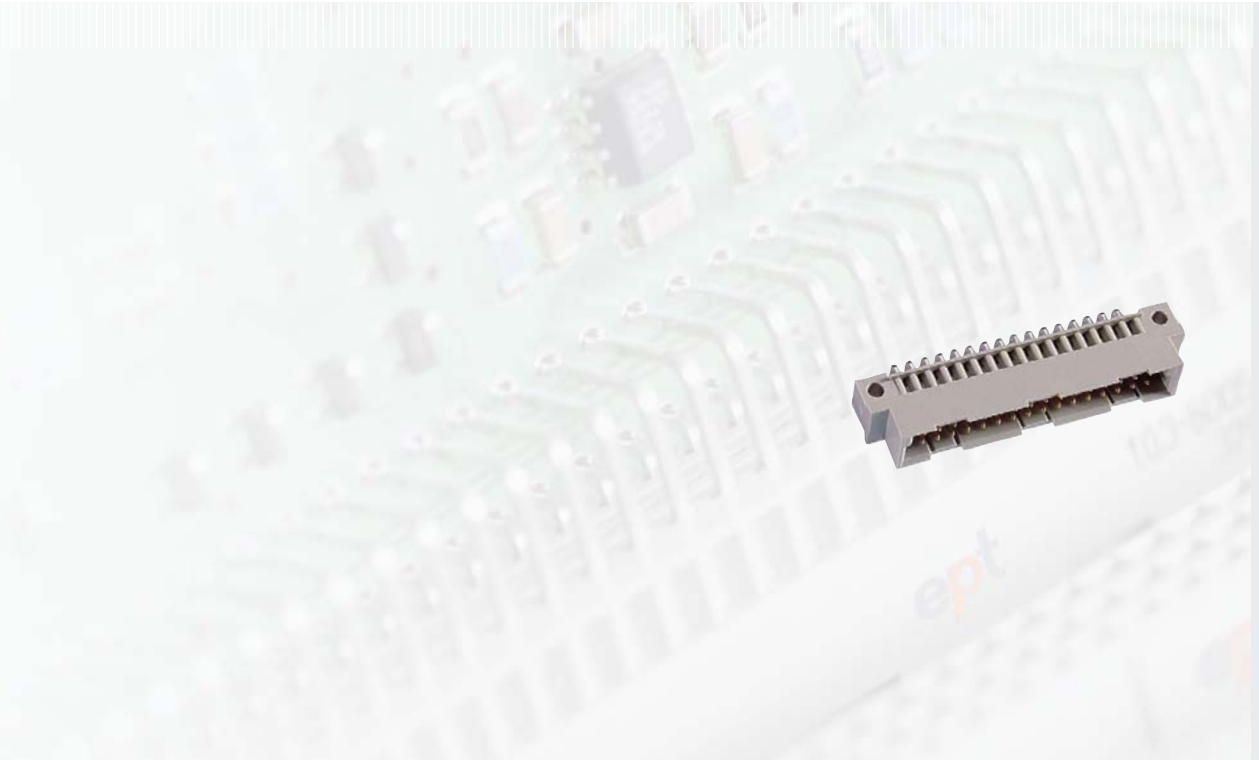
### Type B/2

Male connector



No. of contacts	Contact arrangement	Press-fit technology – Performance level II	
		Termination length	
Part number			
16		101-69004	101-79006
32		101-69014	101-79016

<p><b>Accessories</b></p> <ul style="list-style-type: none"> <li>– Press-fit tool (see page 206)</li> <li>– Support tool (see page 207)</li> <li>– Coding accessories (see page 160)</li> </ul>	<p><b>On request</b></p> <ul style="list-style-type: none"> <li>– Performance levels I + III or customer-specific</li> <li>– Special contact length</li> </ul>	<p><b>Options</b></p> <ul style="list-style-type: none"> <li>– Contact arrangement (see page 162)</li> </ul>
<p><b>Note</b></p> <ul style="list-style-type: none"> <li>– * Rear mating zone performance level II</li> </ul>		



No. of contacts	Contact arrangement	Solder technology Performance level II			THTR*
		Termination length			
Part number					
16		101-90004	101-90115	101-90006	101-90004TH
32		101-90014	101-90105	101-90016	101-90014TH

<p><b>Accessories</b></p> <ul style="list-style-type: none"> <li>- Coding accessories (see page 160)</li> </ul>	<p><b>On request</b></p> <ul style="list-style-type: none"> <li>- Performance levels I + III or customer-specific</li> <li>- Special contact length</li> <li>- Other termination lengths in THTR</li> </ul>	<p><b>Options</b></p> <ul style="list-style-type: none"> <li>- Board lock (see page 159)</li> <li>- Contact arrangement (see page 162)</li> </ul>
<p><b>Note</b></p> <ul style="list-style-type: none"> <li>- * THTR (Through Hole Technology Reflow)</li> </ul>		