

Geared dc instrument motor

1308 series

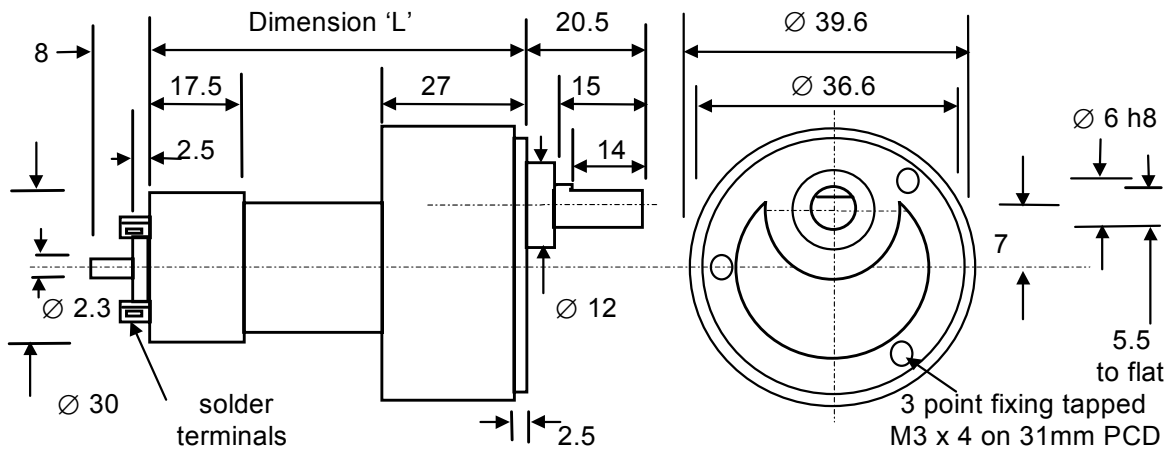
The 1308 geared instrument dc motor is ideally suited to a wide range of applications requiring a combination of low speed operation and compact unit size. The integral iron core dc motor provides smooth operation and a bi-directional variable speed capability while the gearhead utilises a multi-stage metal spur gear train and a die-cast metal housing rated for a working torque up to 1.0 Nm.

The unit, which is suitable for mounting in any attitude, provides reliable operation over a wide ambient temperature range and is equipped with a rear shaft extension to which a speed or position sensor may be attached

The 1308 unit offers a range of gear ratio options for operating speeds from 5- 100 rpm and is ideally suited to applications where a combination of high torque, compact size and economic unit price are important design criteria.



Dimensions: mm



Specification

Order Code	Length 'L' (mm)	Gear ratio	Nominal Voltage (Vdc)	No-Load speed (rpm)	Rated Speed (rpm)	Rated Torque (Ncm)	Rated Current (mA)	Typical Mass (grams)
1308-12- 30	64	30:1	12	110	70	15	250	190
1308-24- 30	64	30:1	24	110	70	15	130	190
1308-12- 75	66.5	75:1	12	43	28	30	230	190
1308-24- 75	66.5	75:1	24	43	28	30	120	190
1308-12-100	66.5	100:1	12	35	20	40	240	190
1308-24-100	66.5	100:1	24	35	20	40	125	190
1308-12-200	69	200:1	12	17	10	80	250	190
1308-24-200	69	200:1	24	17	10	80	130	190
1308-12-250	69	250:1	12	14	8	100	240	190
1308-24-250	69	250:1	24	14	8	100	125	190
1308-12-510	72	510:1	12	6.5	5	100	150	190
1308-24-510	72	510:1	24	6.5	5	100	80	190

Max No Load Current: 12 volt types: 60 mA
24 volt types: 50 mA

Max Radial shaft load : 50N

Max Axial shaft load : 10N

Ambient temperature range: -20 to +60 deg.C