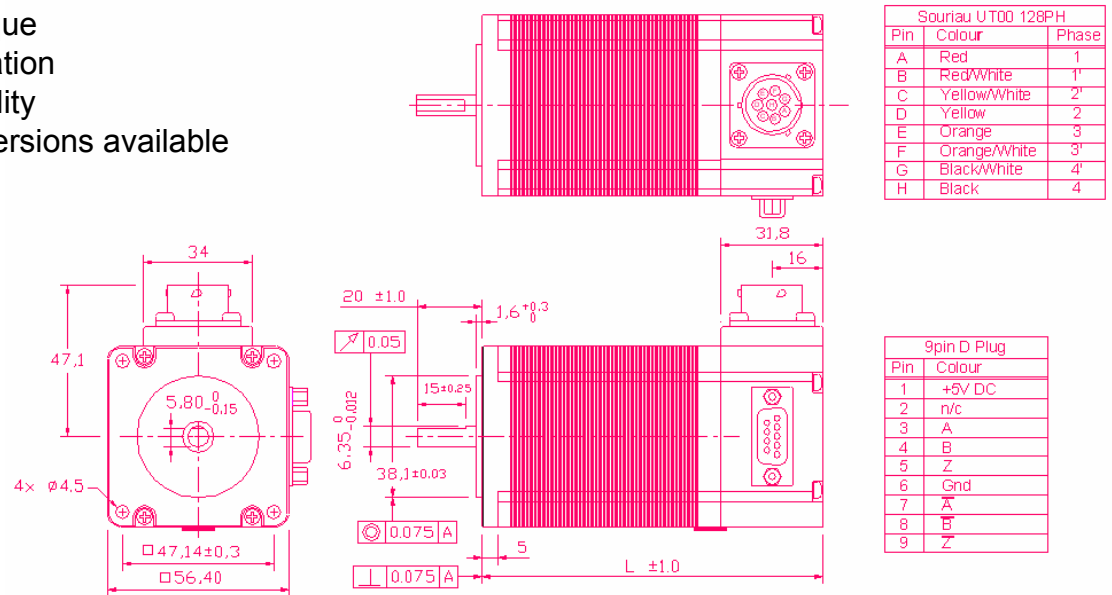
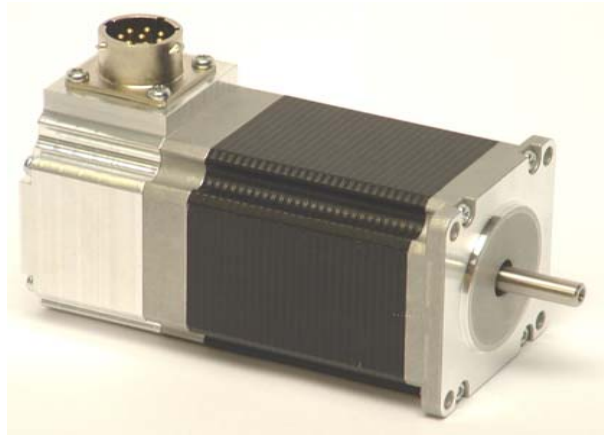


23HT18C-L series stepper motor/encoders with connectors

- Excellent EMC Characteristics
- 8-way UTO motor connector and 9 way "D" encoder connector
- Unipolar, Bipolar Parallel or Series
- High Torque
- Low Vibration
- High Quality
- Special versions available



<u>Part Number</u>	<u>Step Angle</u>	<u>Body Length "L"</u>	<u>Unipolar Phase Current</u>	<u>Unipolar Phase Voltage</u>	<u>Unipolar Resistance</u>	<u>Unipolar Inductance</u>	<u>Holding Torque (2 ph on)</u>	<u>Rotor Inertia</u>	<u>Mass</u>
23HT18C230L500	1.8°	84.5 mm	3A	2.3V	0.75Ω	1.2mH	0.90Nm	0.260kgcm ²	0.95kg
23HT18C435L500	1.8°	114.5 mm	3.5A	2.8V	0.8Ω	1.4mH	1.4Nm	0.520kgcm ²	1.5kg

UNIPOLAR Values shown - For Bipolar Parallel connection multiply I x √2, V x 1, R x 0.5, L x 1

Encoder specification

<u>Counts/ turn</u>	<u>Line driver</u>	<u>Operating Voltage</u>	<u>Supply current</u>	<u>Max frequency</u>	<u>Output signal</u>	<u>Output Current</u>
500AB + 1Z	AM26C31	DC 5V +/- 5%	100mA max	100kHz	H min 2.4Vdc L max 0.4Vdc	+/- 20mA max sinking

McLennan Servo Supplies Ltd

Unit 1, The Royston Centre
Lynchford Lane
Ash Vale, Surrey
GU12 5PQ - UK

Tel 08707 700700
Fax 08707 700699
Email sales@mclennan.co.uk
Web: www.mclennan.co.uk

