

LED-25-8V/12V/24V DC P

SPECIFICATIONS

Standards

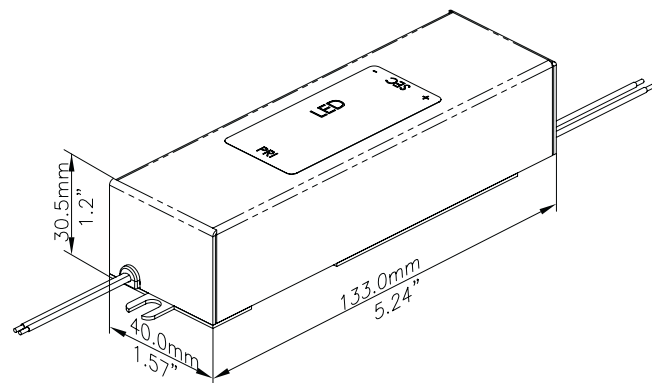
Converter meets CE standard
 UL class 2 recognized component
 File # E164062

Available Versions

901025008P-LED 25 8V DC P
 901025012P-LED 25 12V DC P
 901025024P-LED 25 24V DC P

Mechanical and Thermal

Dimensions (mm) 30.5 x 40 x 133
 Dimensions (in.) 1.2 x 1.57 x 5.24
 Weight 300 grams, 10.58 ounces
 Tc Max 90°C
 Ta Max 50°C
 Aluminium casing
 Output wire 0.75mm²/18 AWG Teflon
 Input wire 0.75mm²/18 AWG 300V
 180°C/200°C



Electrical

| | |
|----------------------------|----------------------|
| Load | 1-25VA |
| Input | 100-277V 0/50/60Hz |
| Output Voltage (Max. load) | 8V/12V/24VDC |
| Efficiency | 80% |
| EMC (RFI) | FCC Class A/EN 55015 |
| Harmonics | EN 61000-3-2 |
| Electrostatic Discharge | IEC61000-4-2 |
| EMC Immunity | IEC61000-4-3 |
| Burst | IEC61000-4-4 |
| Surge | IEC61000-4-5 |
| Injected RF | IEC61000-4-6 |
| Mains interruption | IEC61000-4-11 |
| Immunity | EN 61547/61047 |
| Safety | EN 61347-2-2 |
| SELV | |

Protection and Regulation

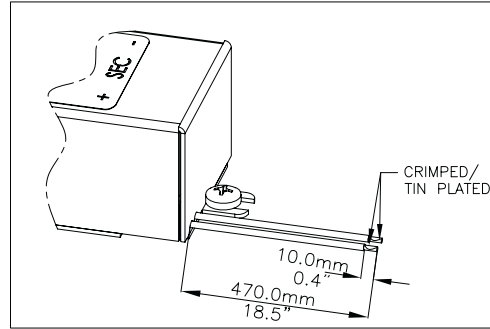
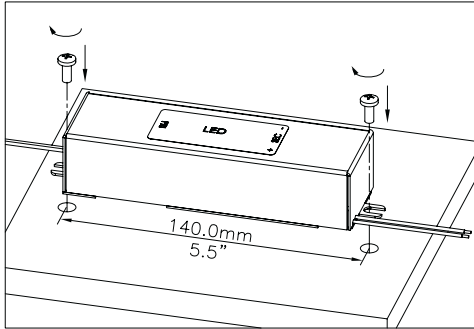
Electronic internal resettable short circuit protection.
 Overload and thermal regulation.
 Voltage Regulation.

See reverse side for more information →



LED-25-8V/12V/24V DC P

Mounting Instructions



Safety Instructions:

1. Always disconnect power before installation and/or removal of the unit.
2. Install in accordance with national and local electrical codes.
3. Wires: Input and output wires 0.75mm² or 18AWG.