

LED-60W DC 12V/24V

SPECIFICATIONS

Standards

Converter meets CE standards
 UL class 2 recognized component
 File # E164062
 VDE and VDE-EMV Pending

Available Versions

- 901060012P-LED 60W DC 12V (European version)
- 901060012PU-LED 60W DC 12V (USA version)
- 901060024P-LED 60W DC 24V (European version)
- 901060024PU-LED 60W DC 24V (USA version)

Mechanical and Thermal

European version
 Dimensions(mm) 198 x 44 x 40
 Weight 570 grams
 Tc Max 90°C
 Ta Max 50°C
 Output wire – 18AWG 200°C
 Input wire – Blue, Brown
 FEP/FEP 0.75mm² 300/500V 180°C

USA version
 Dimensions (in) 7.8" x 1.73" x 1.57"
 Weight 20 ounces
 Tc Max 90°C
 Ta Max for 60W 12V 38°C
 Ta Max for 60W 24V 50°C
 Output wire – 18AWG 200°C
 Input wire – Blue, Brown
 UL type 1332 or similar 18 AWG 300V 200°C

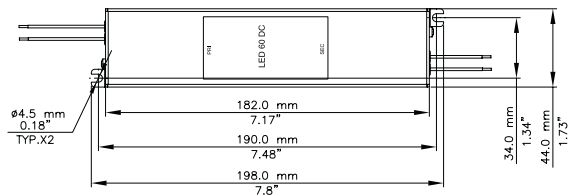
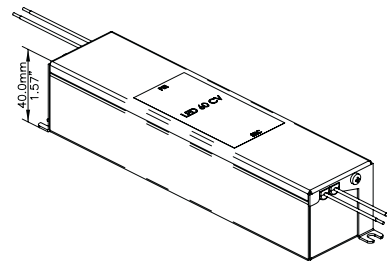


Electrical

Load	1-60VA
Input	100-277V 50/60Hz
Output voltage 12V	12-13.5V
Output voltage 24V	24-26.4V
Efficiency 12V	≥85%
Efficiency 24V	≥87%
EMC (RFI)	FCC Class A/EN 55015
Harmonics	EN 61000-3-2
Electrostatic Discharge	IEC61000-4-2
EMC Immunity	IEC61000-4-3
Burst	IEC61000-4-4
Surge	IEC61000-4-5
Injected RF	IEC61000-4-6
Mains interruption	IEC61000-4-11
Immunity	EN 61547/61047
Safety	EN 61347-2-2
SELV	

Protection and Regulation

Electronic internal resettable short circuit protection. Thermal protection and overload regulation.

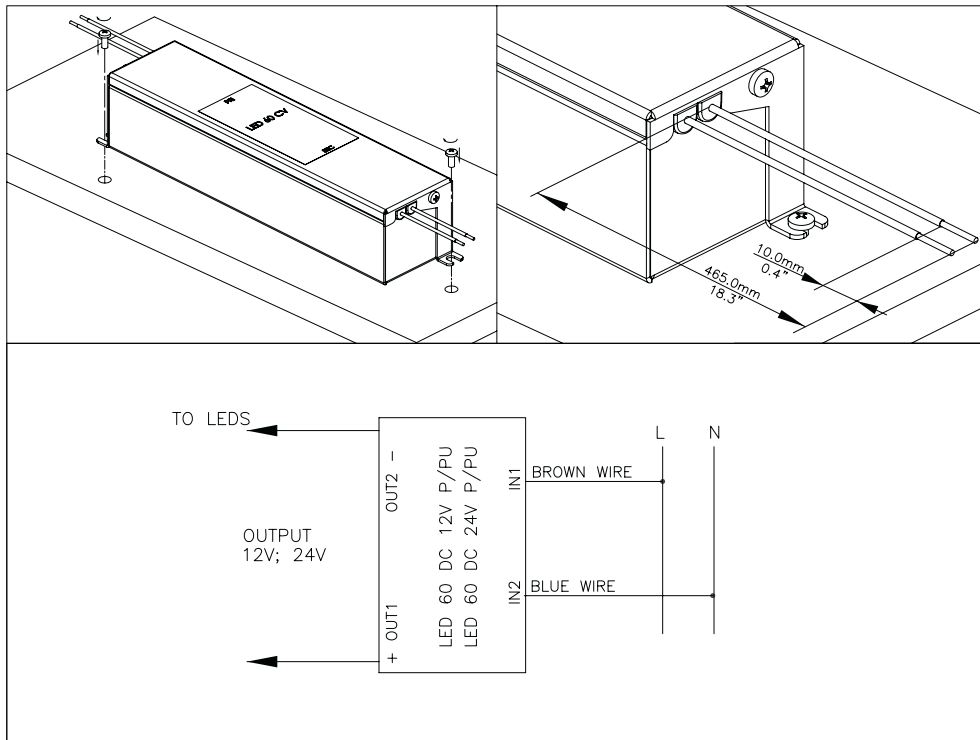


See reverse side for more information →



LED-60W DC 12V/24V

Mounting Instructions



Safety Instructions:

1. Always disconnect power before installation and/or removal of the unit.
2. Install in accordance with national and local electrical codes.
3. Wires: Input and output wires 0.75mm² or 18AWG.