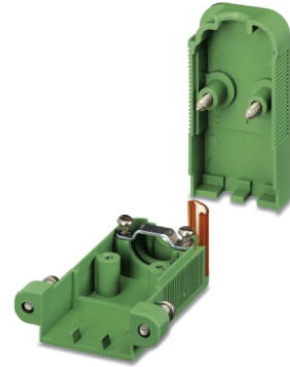


KGG-PC 4/ 5-F

Order No.: 1837340



<http://eshop.phoenixcontact.net/phoenix/treeViewClick.do?UID=1837340>

Cable housing, Pitch: 7.62 mm, Number of positions: 5, Dimension a: 39.9 mm, Color: green

Commercial data	
EAN	4017918111359
Pack	10 pcs.
Customs tariff	85369010
Weight/Piece	0.02053 KG
Catalog page information	Page 377 (CC-2009)

Product notes

WEEE/RoHS-compliant since: 01/01/2003



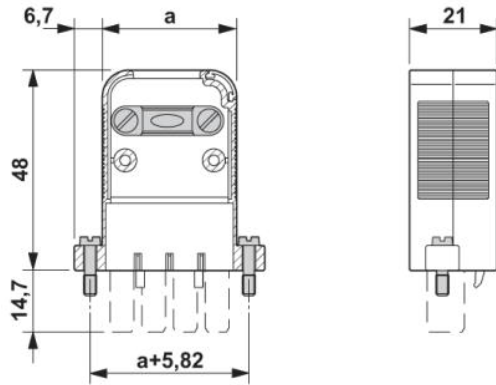
<http://www.download.phoenixcontact.com>
Please note that the data given here has been taken from the online catalog. For comprehensive information and data, please refer to the user documentation. The General Terms and Conditions of Use apply to Internet downloads.

Accessories

Item	Designation	Description
Marking		
1784914	KGS-MSTB 2,5/ DST	Transparent label carrier, can be marked with marker strips SBS 2.5/7.5
1007604	SBS 2,5/7,5	Marker strips, unprinted, for individual labeling, perforated, white plastic, 10-section, lettering field size: 15 x 7.5 mm

Diagrams/Drawings

Dimensioned drawing



Address

PHOENIX CONTACT GmbH & Co. KG
Flachsmarktstr. 8
32825 Blomberg, Germany
Phone +49 5235 3 00
Fax +49 5235 3 41200
<http://www.phoenixcontact.com>



© 2010 Phoenix Contact
Technical modifications reserved;