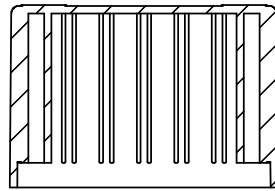


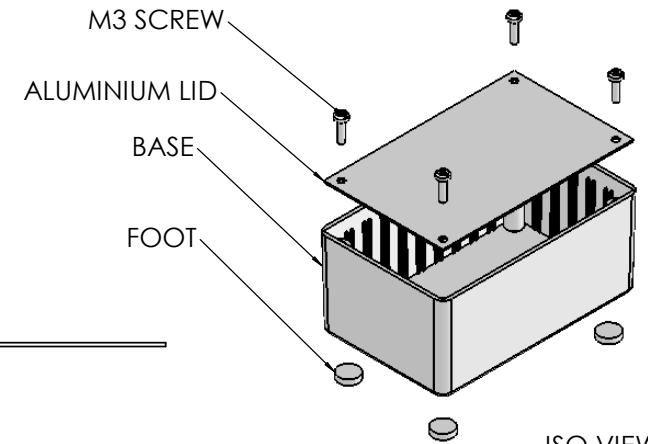
OVERALL ASSEMBLY DIMENSIONS:

EXTERNAL - 111 x 71 x 48

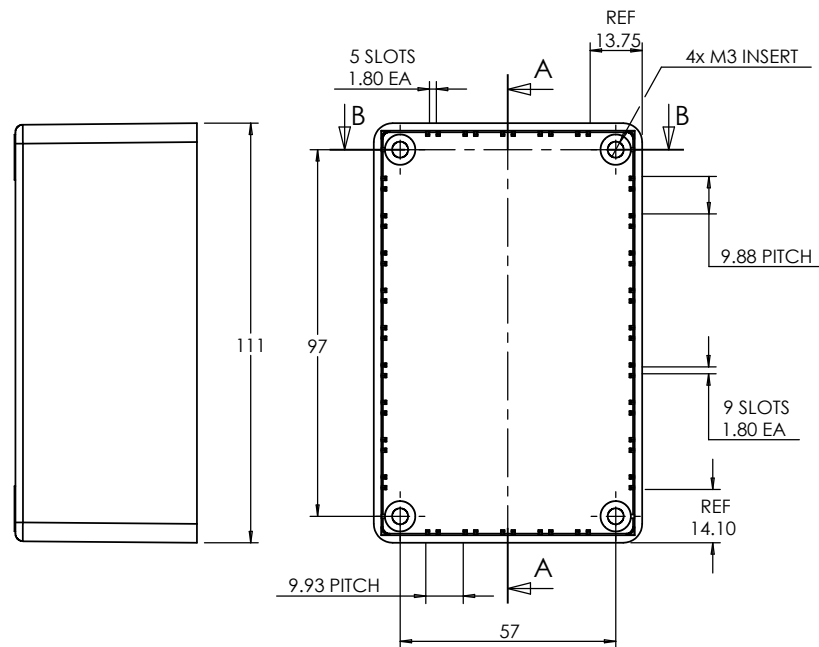
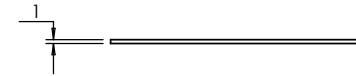
INTERNAL - 107 x 67 x 39.5



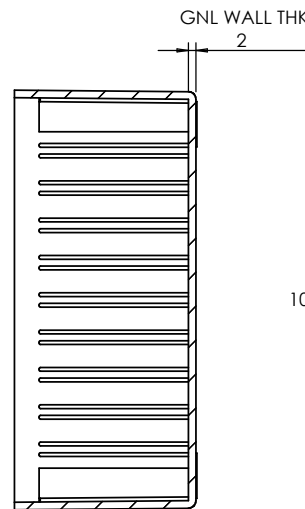
SECTION B-B



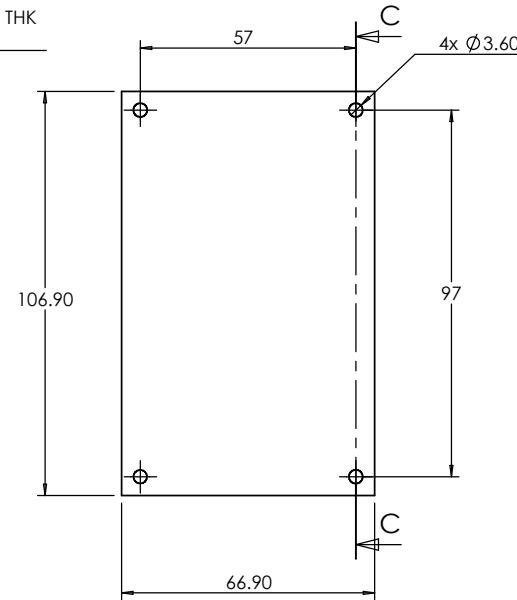
ISO VIEW  
1:3



BASE

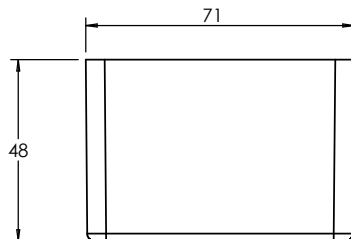


SECTION A-A



SECTION C-C

LID



		UNLESS OTHERWISE SPECIFIED: DIMENSIONS ARE IN MILLIMETERS		DO NOT SCALE DRAWING	REVISION. 0
		FINISH: <b>SMOOTH</b>		TITLE: <b>ASSEMBLY DRG FOR 4004</b>	
JAMES CARTER RD, MILDENHALL, SUFFOLK. IP28 7DE TEL: 01638 716101 FAX: 01638 716554 EMAIL: SALES@BOSS-ENCLOSURES.CO.UK WEB: www.BOSS-ENCLOSURES.CO.UK		MATERIAL: <b>ABS &amp; ALUMINIUM</b>	DWG NO.	<b>4004</b>	A4
DRAWN	S.HARDINGE	SJH	01/12/05	SCALE: 1:2	SHEET 1 OF 1
CHK'D	-	-	-	PROJECTION.	