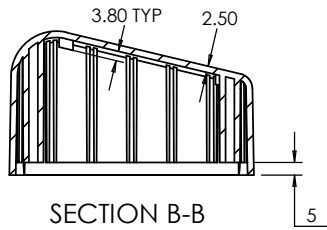


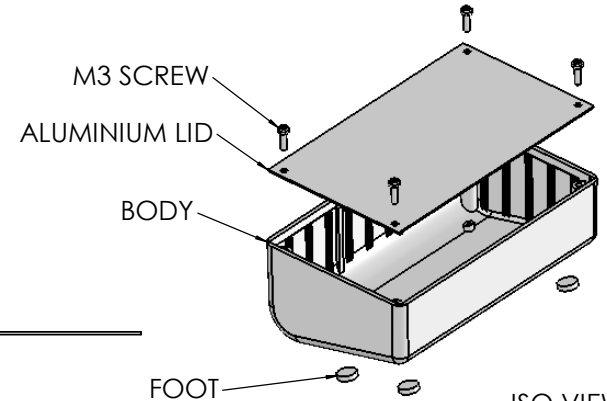
OVERALL ASSEMBLY DIMENSIONS:

EXTERNAL - 161.5 x 97 x 57max / 39min

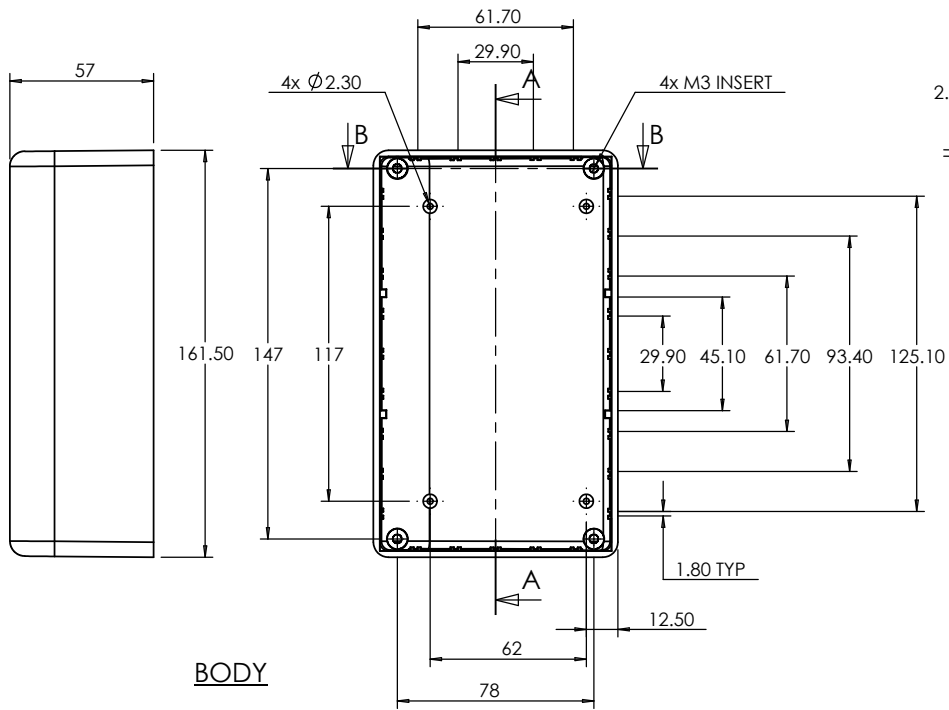
INTERNAL - 155.5 x 91 x 49max / 31min



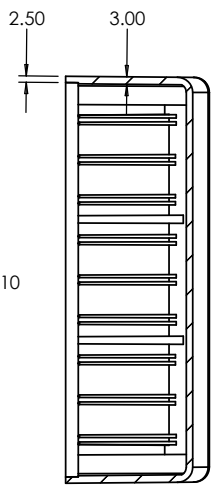
SECTION B-B



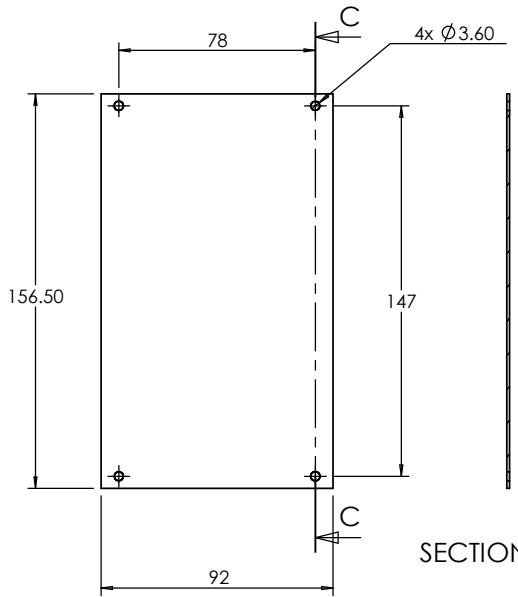
ISO VIEW
1:4



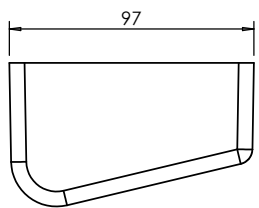
BODY



SECTION A-A



SECTION C-C



LID

<p>JAMES CARTER RD, MILDENHALL, SUFFOLK. IP28 7DE TEL: 01638 716101 FAX: 01638 716554 EMAIL: SALES@BOSS-ENCLOSURES.CO.UK WEB: www.BOSS-ENCLOSURES.CO.UK</p>				UNLESS OTHERWISE SPECIFIED: DIMENSIONS ARE IN MILLIMETERS		DO NOT SCALE DRAWING		REVISION. 0		
				FINISH. SMOOTH		TITLE: ASSEMBLY DRG FOR 1005				
DRAWN S.HARDINGE		SIGNED SJH		DATE 17/01/06		MATERIAL. VAR		DWG NO. 1005		A4
CHK'D -		-		-		PROJECTION.		SCALE: 1:3		SHEET 1 OF 1