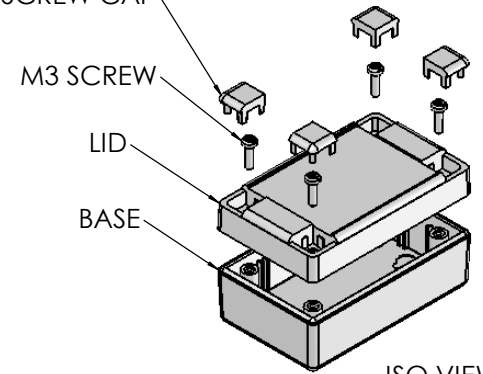


OVERALL ASSEMBLY DIMENSIONS:

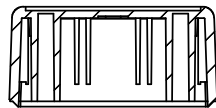
EXTRENAL - 90 x 55 x 40

INTERNAL - 85 x 50 x 33.5

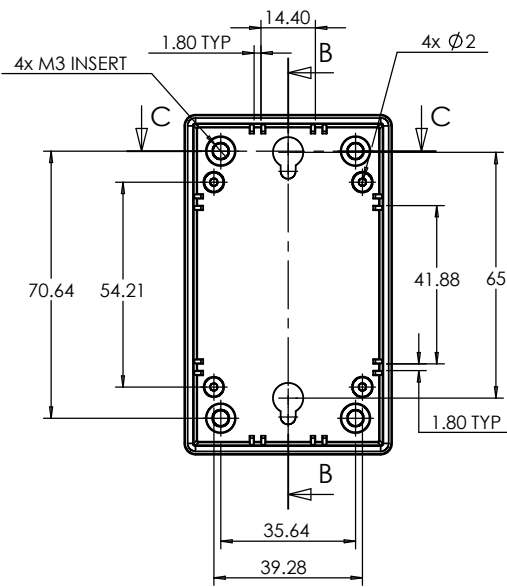
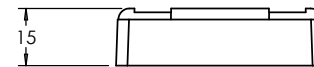
CORNER/SCREW CAP



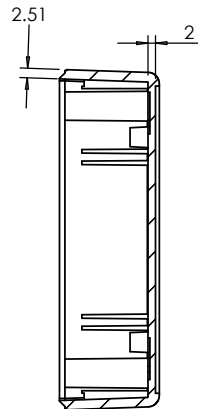
ISO VIEW
1:3



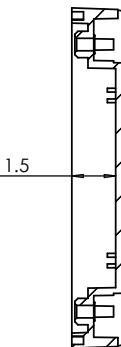
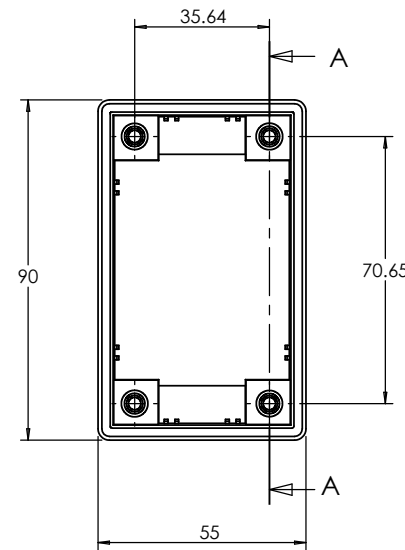
SECTION C-C



BASE

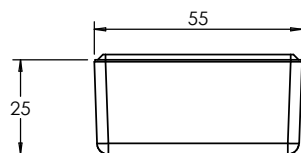


SECTION B-B



SECTION A-A

LID



| | | | | | |
|---|------------|--|---------------------------|---|-------------|
| | | UNLESS OTHERWISE SPECIFIED: DIMENSIONS ARE IN MILLIMETERS | | DO NOT SCALE DRAWING | REVISION. 0 |
| | | FINISH: LIGHT SPARK | | TITLE: ASSEMBLY DRG FOR 7002,12 | |
| JAMES CARTER RD, MILDENHALL, SUFFOLK. IP28 7DE TEL: 01638 716101 FAX: 01638 716554 EMAIL: SALES@BOSS-ENCLOSURES.CO.UK WEB: www.BOSS-ENCLOSURES.CO.UK | | MATERIAL: ABS | DWG NO. 7002,12 | A4 | |
| DRAWN | S.HARDINGE | SIGNED | SJH | DATE | 11/10/05 |
| CHK'D | - | - | - | PROJECTION. | SCALE: 1:2 |
| | | | | SHEET 1 OF 1 | |