

**PLEASE CHECK WWW.MOLEX.COM FOR LATEST PART INFORMATION**

**Part Number:** [0480995701](#)  
**Status:** **Active - Custom**  
**Description:** Mini PCI Express\* Latch, Mated Height 6.50mm (.256"), with Pick and Place Cover, Lead Free

**Documents:**

[3D Model](#) [Product Specification PS-67910-002 \(PDF\)](#)  
[Drawing \(PDF\)](#) [RoHS Certificate of Compliance \(PDF\)](#)

**General**

Product Family	Accessories
Series	48099
Comments	* PCI Express is a registered trademark of PCI-SIG
Component Type	Card Holder (Host)
Product Name	Mini PCI Express*

**Physical**

Circuits (Loaded)	N/A
Lock to Mating Part	Yes
Packaging Type	Embossed Tape on Reel
Temperature Range - Operating	-40°C to +80°C

**Solder Process Data**

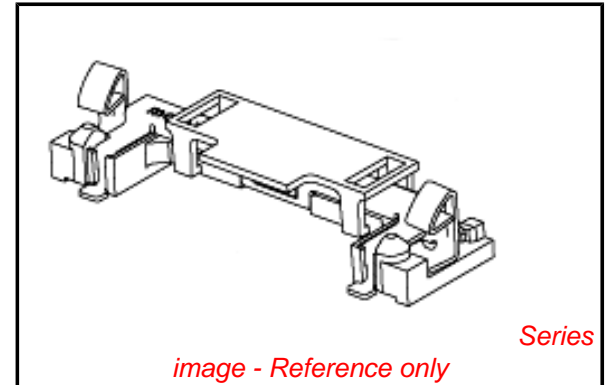
Duration at Max. Process Temperature (seconds)	10
Lead-free Process Capability	Reflow Capable (SMT only)
Max. Cycles at Max. Process Temperature	2
Process Temperature max. C	260

**Material Info**

**Reference - Drawing Numbers**

Product Specification	PS-67910-002
Sales Drawing	SD-48099-006

\* PCI Express is a registered trademark of PCI-SIG



**EU RoHS**

**ELV and RoHS Compliant**  
**REACH SVHC**  
**Contains SVHC: No**  
**Halogen-Free Status**

**China RoHS**



**Need more information on product environmental compliance?**

Email [productcompliance@molex.com](mailto:productcompliance@molex.com)  
 For a multiple part number RoHS Certificate of Compliance, [click here](#)

Please visit the [Contact Us](#) section for any non-product compliance questions.

**Search Parts in this Series**  
[48099Series](#)

**Use With**  
[67910-5700](#)