

OVERALL ASSEMBLY DIMENSIONS:

EXTERNAL - 220 x 145 x 50

INTERNAL - 215 x 140 x 43.5

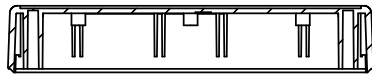
CORNER/SCREW CAP

M3 SCREW

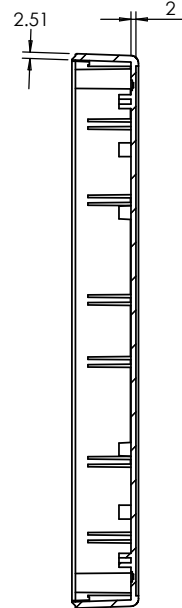
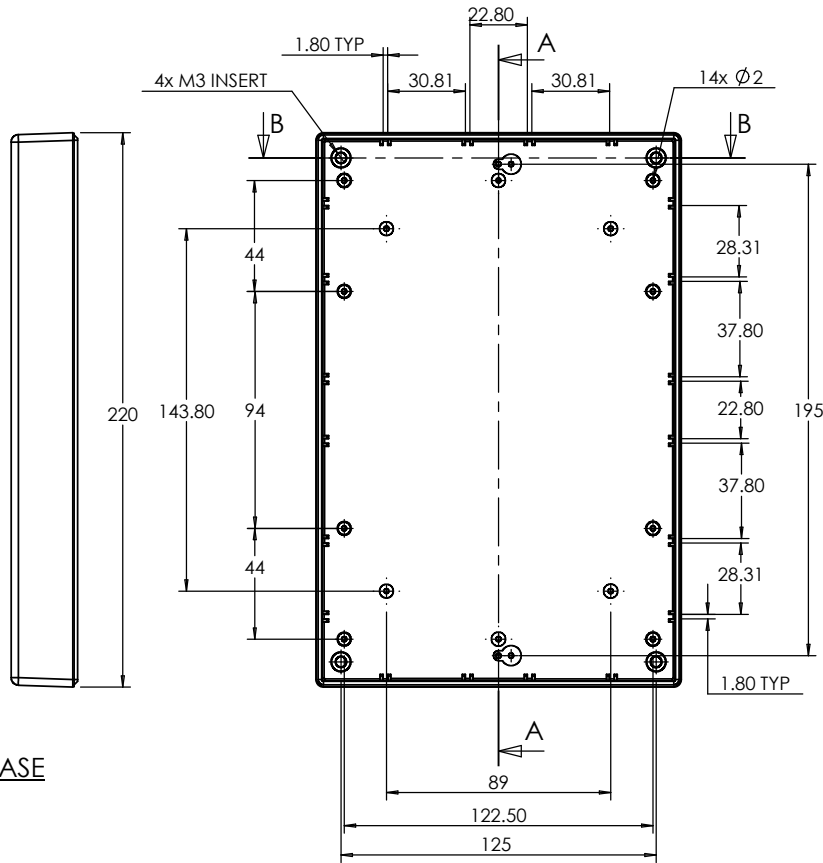
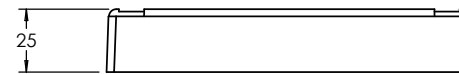
LID

BASE

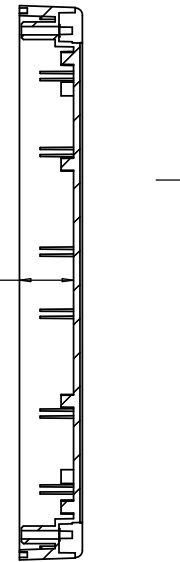
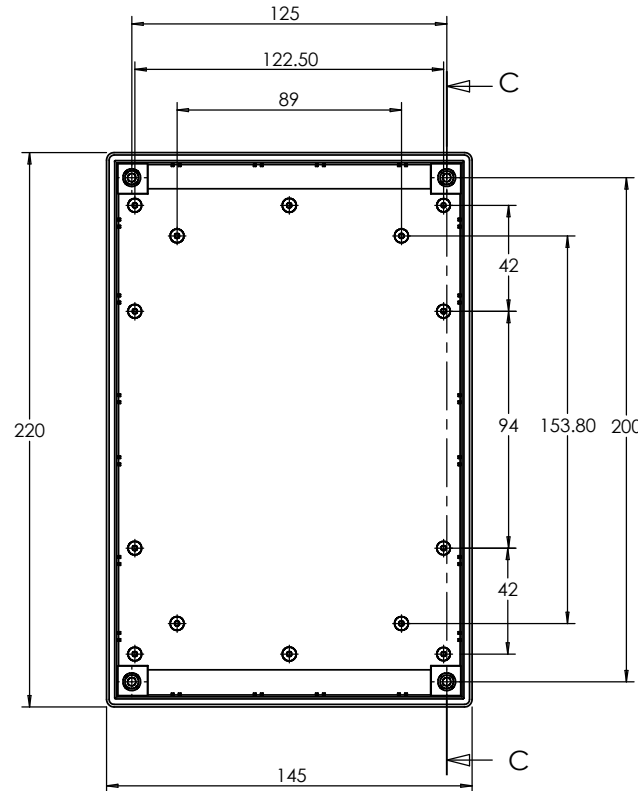
ISO VIEW  
1:5



SECTION B-B



SECTION A-A



SECTION C-C

BASE

LID

<p>JAMES CARTER RD, MILDENHALL, SUFFOLK. IP28 7DE TEL: 01638 716101 FAX: 01638 716554 EMAIL: SALES@BOSS-ENCLOSURES.CO.UK WEB: www.BOSS-ENCLOSURES.CO.UK</p>				UNLESS OTHERWISE SPECIFIED: DIMENSIONS ARE IN MILLIMETERS		DO NOT SCALE DRAWING		REVISION. 0	
				FINISH: <b>LIGHT SPARK</b>		TITLE: <b>ASSEMBLY DRG FOR 7008/18</b>			
DRAWN S.HARDINGE		SIGNED SJH	DATE 13/10/05	MATERIAL: <b>ABS</b>		DWG NO. <b>7008,18</b>		A4	
CHK'D -		-	-	PROJECTION.		SCALE: 1:3		SHEET 1 OF 1	