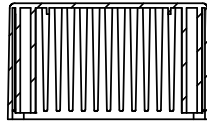


OVERALL ASSEMBLY DIMENSIONS:

EXTERNAL - 150 x 80 x 50

INTERNAL - 146.4 x 76.4 x 46.5

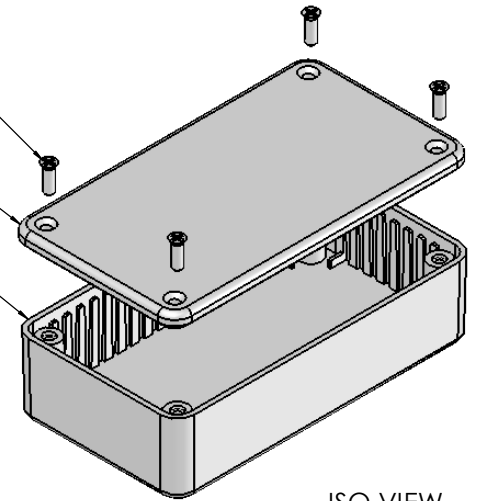
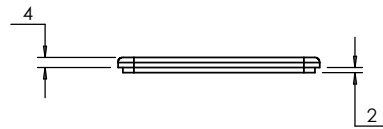


SECTION B-B

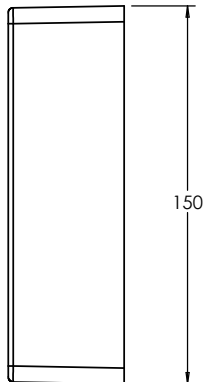
M3 CSK SCREW

LID

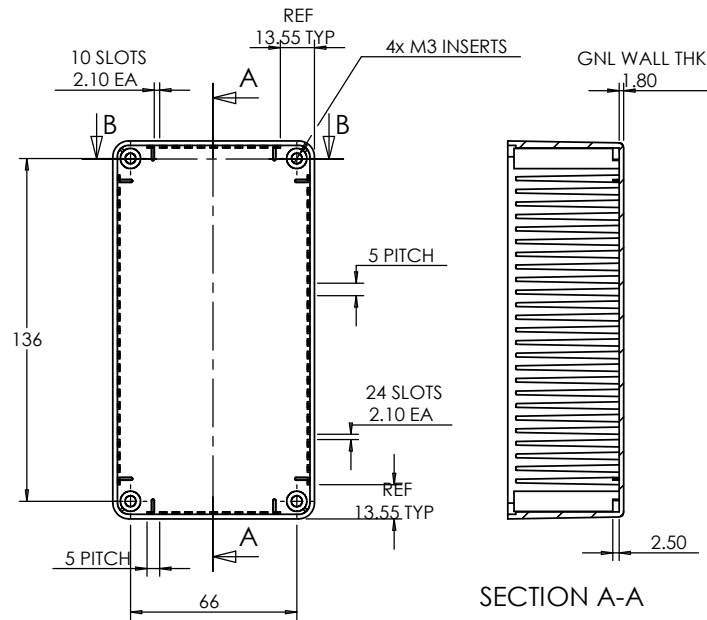
BASE



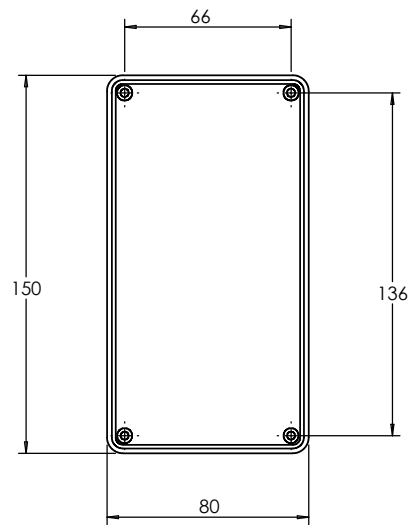
ISO VIEW



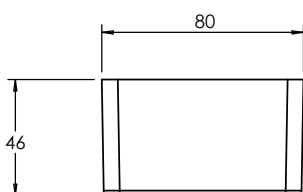
BASE



SECTION A-A



LID



<p>JAMES CARTER RD, MILDENHALL, SUFFOLK. IP28 7DE TEL: 01638 716101 FAX: 01638 716554 EMAIL: SALES@BOSS-ENCLOSURES.CO.UK WEB: www.BOSS-ENCLOSURES.CO.UK</p>				UNLESS OTHERWISE SPECIFIED: DIMENSIONS ARE IN MILLIMETERS		DO NOT SCALE DRAWING		REVISION. 0	
				FINISH: SMOOTH		TITLE: ASSEMBLY DRG FOR 2005,15			
DRAWN S.HARDINGE		SIGNED SJH		DATE 05/10/05		MATERIAL: ABS		DWG NO. 2005,15	
CHK'D -		-		-		PROJECTION.		SCALE: 1:3	
								SHEET 1 OF 1	

A
B
C
D

A
B
C
D