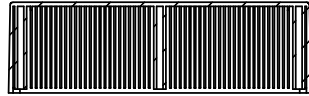


OVERALL ASSEMBLY DIMENSIONS:

EXTERNAL - 250 x 200 x 64

INTERNAL - 244 x 194 x 59.4

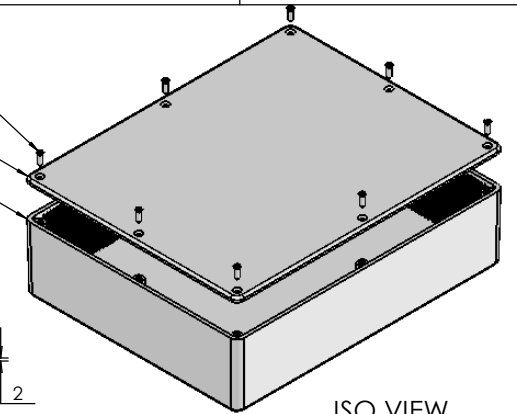


SECTION B-B

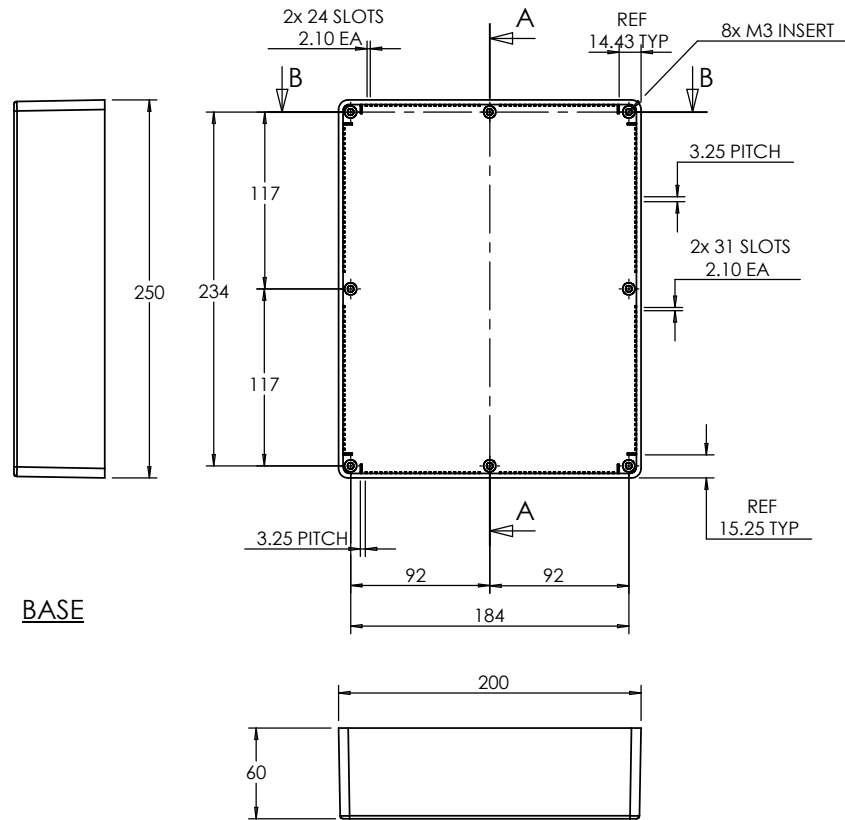
M3 CSK SCREW

LID

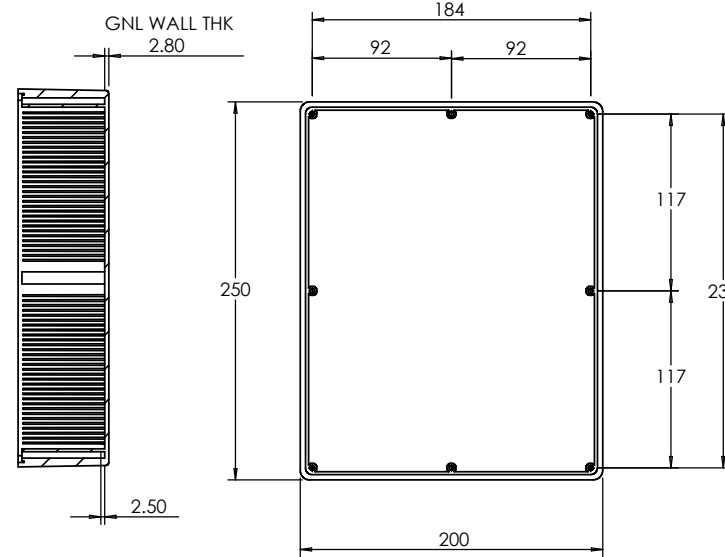
BASE



ISO VIEW



BASE



SECTION A-A



LID

<p>JAMES CARTER RD, MILDENHALL, SUFFOLK. IP28 7DE TEL: 01638 716101 FAX: 01638 716554 EMAIL: SALES@BOSS-ENCLOSURES.CO.UK WEB: www.BOSS-ENCLOSURES.CO.UK</p>				UNLESS OTHERWISE SPECIFIED: DIMENSIONS ARE IN MILLIMETERS		DO NOT SCALE DRAWING		REVISION. 0		
				FINISH: SMOOTH		TITLE: ASSEMBLY DRG FOR 2009/19				
DRAWN S.HARDINGE		SIGNED SJH		DATE 10/10/05		MATERIAL: ABS		DWG NO. 2009,19		A4
CHK'D -		-		-		PROJECTION. 		SCALE: 1 : 5		SHEET 1 OF 1