

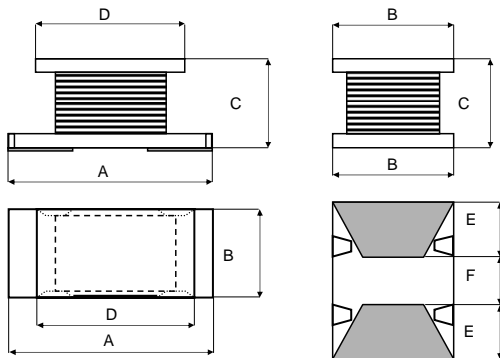
Spezifikation für Freigabe / specification for release

Kunde / customer :
 Artikelnummer / part number : **744045006**
 Bezeichnung : **SMD HF-Drossel WE-LQ**
 description : **SMD HF-CHOKE WE-LQ**



DATUM / DATE : 2006-07-14

A Mechanische Abmessungen / dimensions:

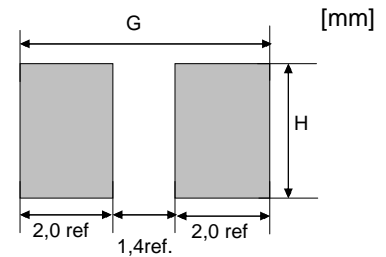


	Typ L	
A	4,5 ± 0,3	mm
B	3,2 ± 0,3	mm
C	2,6 ± 0,3	mm
D	3,6±0,3	mm
E	1,6 ref	mm
F	1,3 ref	mm
G	5,4 ref	mm
H	3,6 ref	mm

Marking = Inductance code

C Lötpad / soldering spec.:

Eigenschaften / properties	Testbedingungen / test conditions		Wert / value	Einheit / unit	tol.
Induktivität / inductance	1 MHz / 0,1V	L	6,80	µH	± 20%
Güte Q / Q factor	1 MHz / 0,1V	Q	36		ref.
DC-Widerstand / DC-resistance	@ 20°C	R _{DC}	0,200	Ω	max.
Nennstrom / rated current	ΔT= 40 K	I _{DC}	1,100	A	max.
Sättigungsstrom / saturation current	 ΔL/L <10%	I _{sat}	1,600	A	typ.
Eigenres.-frequenz / self-res.-frequency		SRF	37	MHz	typ.



D Prüfgeräte / test equipment:

HP 4274 A für/for L und/and Q
HP 34401 A für/for R_{DC} und I_{DC}

E Testbedingungen / test conditions:

Luftfeuchtigkeit / humidity: 33%
 Umgebungstemperatur / temperature: +20°C

F Werkstoffe & Zulassungen / material & approvals:

Basismaterial / base material: Ferrit
 Draht / wire: Class F
 Pin / Terminal: Sn/Cu - 99,3/0,7%

G Eigenschaften / general specifications:

Betriebstemp. / operating temperature: -40°C - + 125°C
 Umgebungstemp. / ambient temperature: -40°C - + 85°C
 It is recommended that the temperature of the part does not exceed 125°C under worst case operating conditions.

Freigabe erteilt / general release:	Kunde / customer			
Datum / date	Unterschrift / signature			
	Würth Elektronik			
			UB	Version 3 06-07-14
			MST	Version 1 04-10-11
Geprüft / checked	Kontrolliert / approved		Name	Änderung / modification Datum / date

Würth Elektronik eiSos GmbH & Co.KG

D-74638 Waldenburg · Max-Eyth-Strasse 1 - 3 · Germany · Telefon (+49) (0) 7942 - 945 - 0 · Telefax (+49) (0) 7942 - 945 - 400
<http://www.we-online.com>

Spezifikation für Freigabe / specification for release

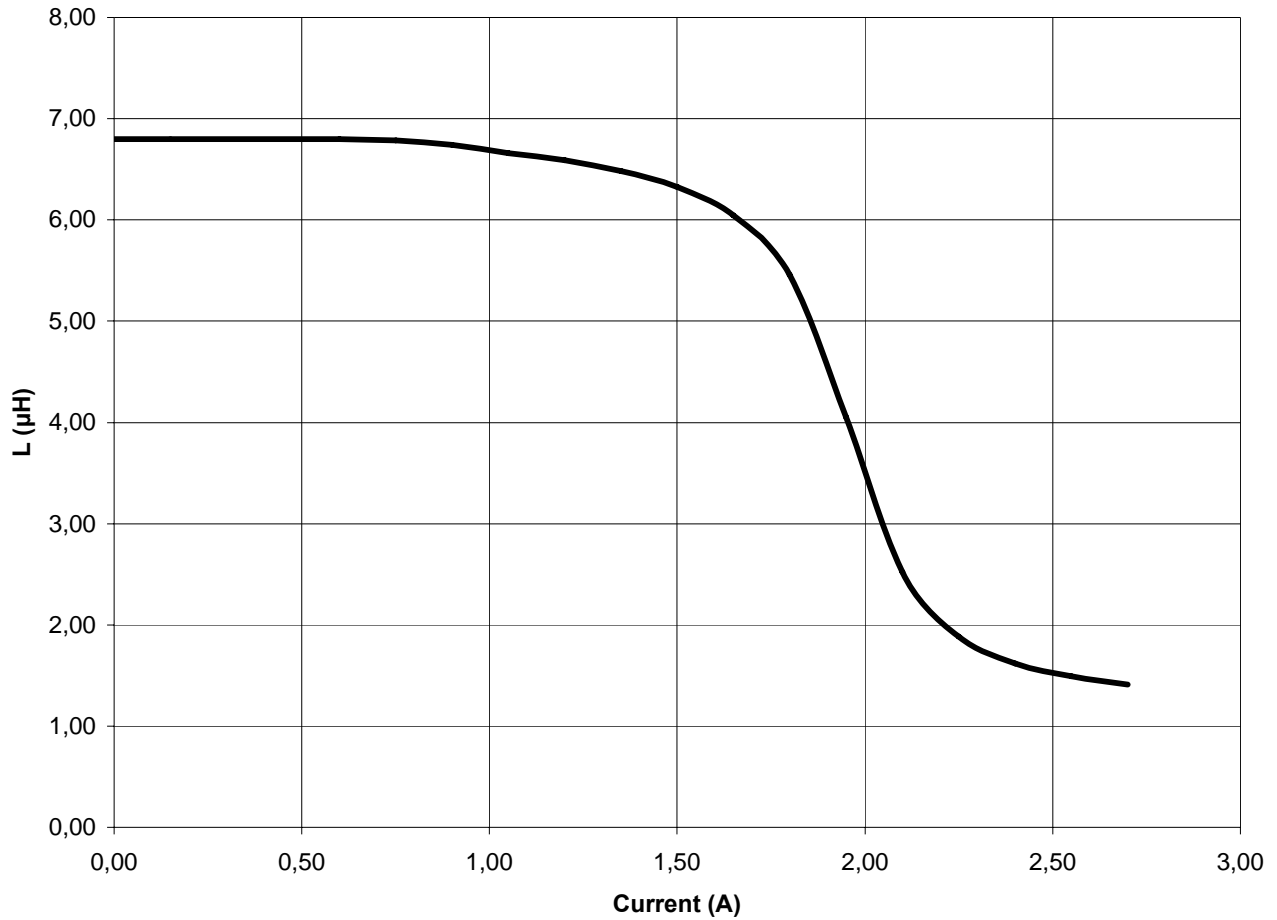
Kunde / customer :
 Artikelnummer / part number : **744045006**
 Bezeichnung : **SMD HF-Drossel WE-LQ**
 description : **SMD HF-CHOKE WE-LQ**



DATUM / DATE : 2006-07-14

H Induktivitätskurve / Inductance curve :

**Induktivität vs Strom (typ.) /
Inductance vs Current (typ.)**



Freigabe erteilt / general release:	Kunde / customer			
Datum / date	Unterschrift / signature			
	Würth Elektronik			
Geprüft / checked	Kontrolliert / approved	UB	Version 3	06-07-14
		MST	Version 1	04-10-11
		Name	Änderung / modification	Datum / date

Würth Elektronik eiSos GmbH & Co.KG

D-74638 Waldenburg · Max-Eyth-Strasse 1 - 3 · Germany · Telefon (+49) (0) 7942 - 945 - 0 · Telefax (+49) (0) 7942 - 945 - 400
<http://www.we-online.com>

Spezifikation für Freigabe / specification for release

Kunde / customer :
 Artikelnummer / part number : **744045006**
 Bezeichnung : **SMD HF-Drossel WE-LQ**
 description : **SMD HF-CHOKE WE-LQ**

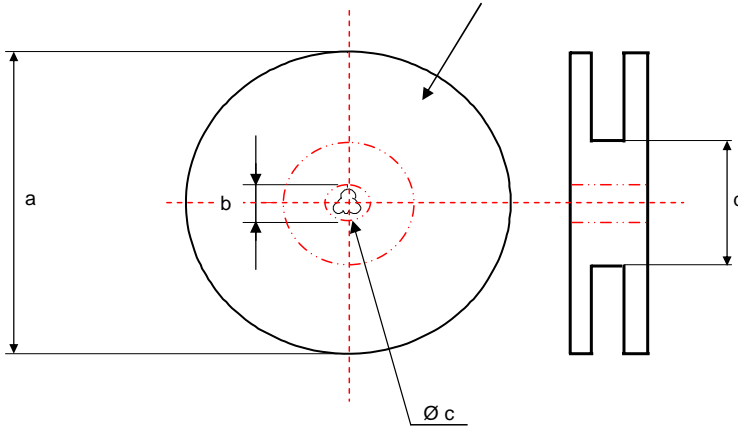
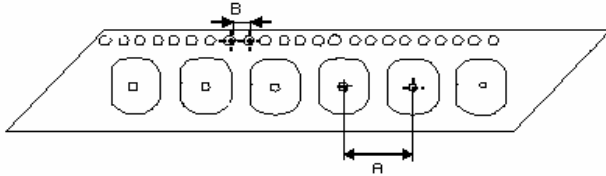


DATUM / DATE : 2006-07-14

I Rollenspezifikation / tape and reel specification:

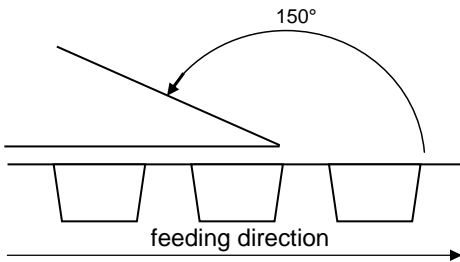
Gurtspezifikation / Tape specification:

A	8,0 ± 1,0	mm
B	4,0 ± 0,1	mm



Rollenspezifikation / Reel specification:

a	178 ± 0,5	mm
b	20,20 ± 0,1	mm
c	13,00 ^{+0,5} - 1,0	mm
d	50,0 ± 1,0	mm



The force for tearing off cover tape is 20 to 70 grams in arrow direction

Freigabe erteilt / general release:	Kunde / customer		
Datum / date	Unterschrift / signature		
	Würth Elektronik		
Geprüft / checked	Kontrolliert / approved	UB Version 3 06-07-14	MST Version 1 04-10-11
		Name	Änderung / modification Datum / date

This electronic component has been designed and developed for usage in general electronic equipment. Before incorporating this component into any equipment where higher safety and reliability is especially required or if there is the possibility of direct damage or injury to human body, for example in the range of aerospace, aviation, nuclear control, submarine, transportation, (automotive control, train control, ship control), transportation signal, disaster prevention, medical, public information network etc, Würth Elektronik eiSos GmbH must be informed before the design-in stage. In addition, sufficient reliability evaluation checks for safety must be performed on every electronic component which is used in electrical circuits that require high safety and reliability functions or performance

Würth Elektronik eiSos GmbH & Co.KG

D-74638 Waldenburg · Max-Eyth-Strasse 1 - 3 · Germany · Telefon (+49) (0) 7942 - 945 - 0 · Telefax (+49) (0) 7942 - 945 - 400
<http://www.we-online.com>