

DC axial fan

Series 8400 N VARIOFAN 80 x 80 x 25 mm

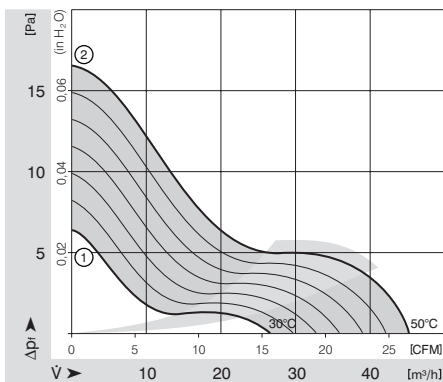


- **General description:** DC fan with electronically commutated external rotor motor. Commutation electronics completely integrated. Speed control using temperature sensor.
- **Impeller material:** Fiberglass-reinforced PA plastic
- **Housing material:** Fiberglass-reinforced PBTP plastic

Nominal data		Voltage	Voltage range VDC	Air flow	Speed	Power consumption	Sound level	Sound pressure level	Ambient temperature	L10 service life at 40 °C	L10 service life at max. temp.	Weight
Type	Motor	VDC	VDC	m ³ /h	1/min	W	Bel	dB(A)	°C	h	h	kg
8412 NGMLV	--	12	8 - 14	45	2050	1.5	3.9	19	-20 .. 70	80000	40000	0.095

Subject to modification

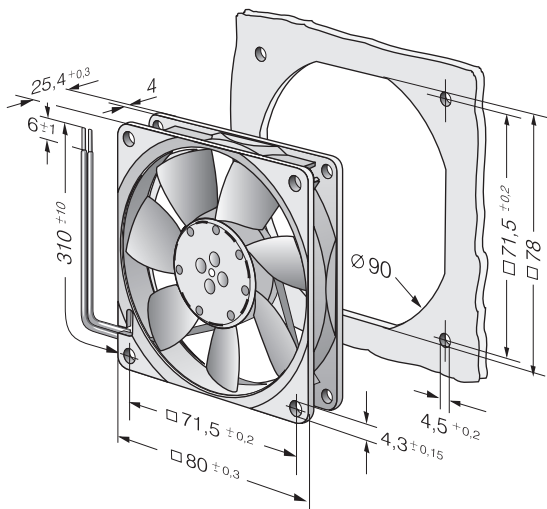
Characteristic: Pressure over air flow



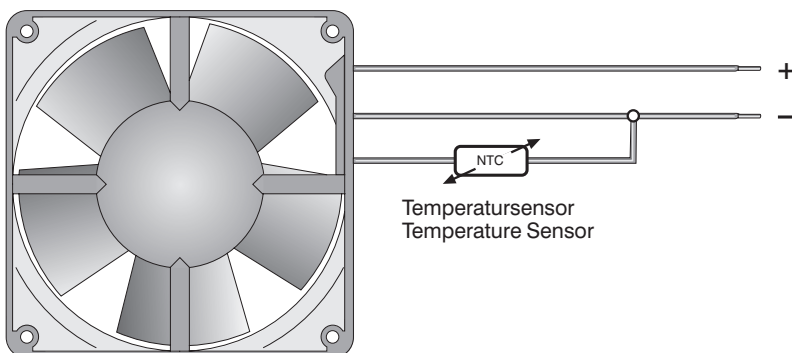
DC axial fan

Series 8400 N VARIOFAN 80 x 80 x 25 mm

Specific drawing



Connection illustration



Technical description

- **General description:** DC fan with electronically commutated external rotor motor. Commutation electronics completely integrated. Speed control using temperature sensor.
- **Housing material:** Fiberglass-reinforced PBTP plastic
- **Direction of rotation:** Left, looking at rotor
- **Electrical connection:** Single strands AWG 24, TR 64
- **Blocking protection:** Blocking and overload protection
- **Option:** Alarm signal
- **Impeller material:** Fiberglass-reinforced PA plastic
- **Bearings:** Sintec sleeve bearing system
- **Direction of flow:** Air exhaust over bars
- **Motor protection:** Reverse-polarity protected. The fan runs only if the polarity is correct.
- **Approvals:** VDE, CSA, UL, CE

Contact

ebm-papst St. Georgen GmbH & Co. KG

Hermann-Papst-Straße 1

D-78112 St. Georgen

Phone +49 (0) 7724 / 81-0

Fax +49 (0) 7724 / 81-1309

info2@de.ebmpapst.com

www.ebmpapst.com