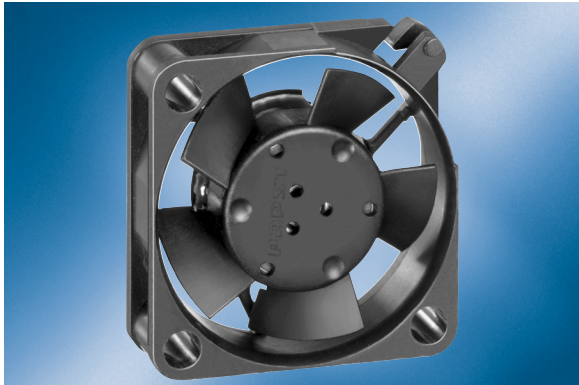


DC axial fan

Series 250 25x25x8mm



- **General description:** DC micro-fan with electronically commutated external rotor motor. Commutation electronics completely integrated.

- **Impeller material:** Fiberglass-reinforced PA plastic

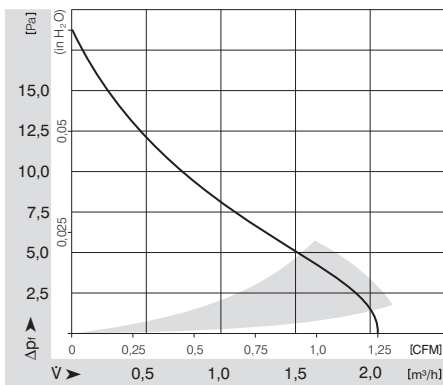
- **Housing material:** Fiberglass-reinforced PBT plastic

Nominal data

Type	Motor	Voltage VDC	Voltage range VDC	Air flow m ³ /h	Speed 1/min	Power consumption W	Sound level Bel	Sound pressure level dB(A)	Ambient temperature °C	L10 service life at max. temp. h	Weight kg
255 M	--	5	4.5 - 5.5	2.1	6000	0.2	<3	5	10 .. 70	14000	0.005

Subject to modification

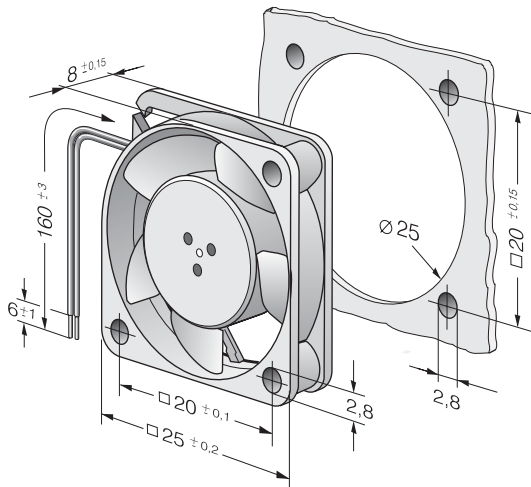
Characteristic: Pressure over air flow



DC axial fan

Series 250 25x25x8mm

Specific drawing



Technical description

- **General description:** DC micro-fan with electronically commutated external rotor motor. Commutation electronics completely integrated.
- **Housing material:** Fiberglass-reinforced PBT plastic
- **Direction of rotation:** Left, looking at rotor
- **Electrical connection:** 2 single strands AWG 28. Strand ends bared and tin-plated
- **Blocking protection:** Impedance protection

- **Impeller material:** Fiberglass-reinforced PA plastic
- **Bearings:** Sintec sleeve bearing system
- **Direction of flow:** Air exhaust over struts
- **Motor protection:** With electronic reverse polarity protection. The fan runs only if the polarity is correct.
- **Approvals:** VDE, CSA, UL, CE

Contact

ebm-papst St. Georgen GmbH & Co. KG

Hermann-Papst-Straße 1
D-78112 St. Georgen
Phone +49 (0) 7724 / 81-0
Fax +49 (0) 7724 / 81-1309
info2@de.ebmpapst.com
www.ebmpapst.com