

# DC axial fan

Series 400 F 40 x 40 x 10 mm



- **General description:** DC fan with electronically commutated external rotor motor. Commutation electronics completely integrated.

- **Impeller material:** Fiberglass-reinforced PA plastic

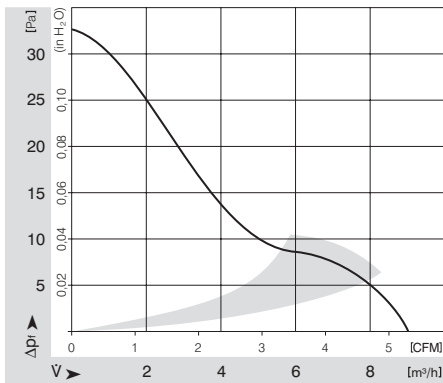
- **Housing material:** Fiberglass-reinforced PBT plastic

## Nominal data

| Type   | Motor | Voltage<br>VDC | Voltage range VDC | Air flow<br>m <sup>3</sup> /h | Speed<br>1/min | Power consumption<br>W | Sound level<br>Bel | Sound pressure level<br>dB(A) | Ambient temperature<br>°C | L10 service life at max.<br>temp.<br>h | Weight<br>kg |
|--------|-------|----------------|-------------------|-------------------------------|----------------|------------------------|--------------------|-------------------------------|---------------------------|--|--------------|
| 412 FH | --    | 12             | 10 - 14           | 9                             | 6000           | 0.8                    | 4.6                | 26.0                          | -20 .. 70                 | 15000                                  | 0.017        |

Subject to modification

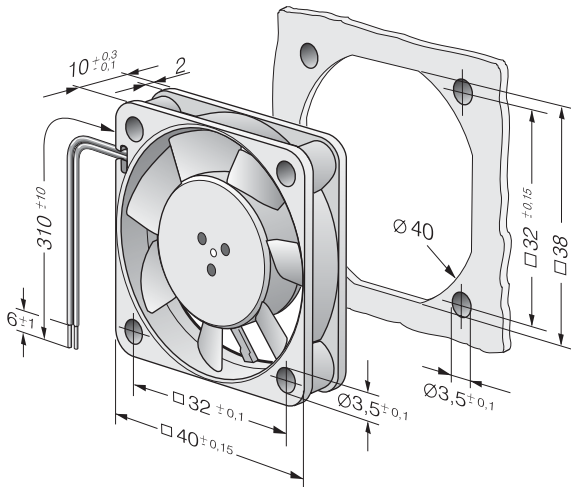
## Characteristic: Pressure over air flow



# DC axial fan

Series 400 F 40 x 40 x 10 mm

## Specific drawing



## Technical description

- **General description:** DC fan with electronically commutated external rotor motor. Commutation electronics completely integrated.
- **Housing material:** Fiberglass-reinforced PBT plastic
- **Direction of rotation:** Left, looking at rotor
- **Electrical connection:** 2 single strands AWG 28, TR 64
- **Blocking protection:** Impedance protection
- **Option:** Speed signal
- **Impeller material:** Fiberglass-reinforced PA plastic
- **Bearings:** Sintec sleeve bearing system
- **Direction of flow:** Air exhaust over bars
- **Motor protection:** With electronic reverse polarity protection. The fan runs only if the polarity is correct.
- **Approvals:** VDE, CSA, UL, CE

## Contact

### ebm-papst St. Georgen GmbH & Co. KG

Hermann-Papst-Straße 1  
D-78112 St. Georgen  
Phone +49 (0) 7724 / 81-0  
Fax +49 (0) 7724 / 81-1309  
info2@de.ebmpapst.com  
www.ebmpapst.com