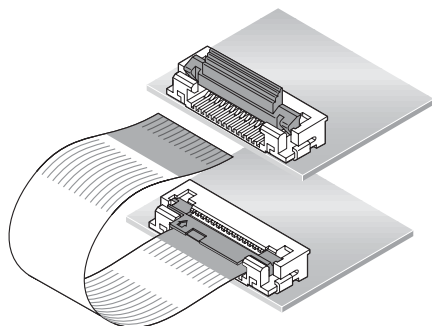


# 0.50mm (.020") Pitch Premo-Flex™ Flat Flex Cable Jumpers

**98266**  
Standard



Molex introduces a complete line of 0.50mm (.020") pitch Flat Flex Cable jumpers. These jumpers are used to connect 2 PC boards and terminate to either ZIF or Non-ZIF FFC connectors.

Molex 0.50mm (.020") Flat Flex Cable jumpers are available in a wide variety of lengths and circuit sizes. These standard lengths are easy to order and feature shorter lead times.

We are also able to offer customized lengths and circuit sizes.

**Reference Information**

Product Specification: PS-98266-001  
 Packaging: Box  
 UL Style No.: 20706  
 Mates With: Any 0.50mm (.020") pitch Molex FFC/FPC connector  
 Designed In: Millimeters

**Electrical**  
 Voltage: 60V  
 Current: 0.5A

**Physical**  
 Strip Length: 4.0mm (.157")  
 Reinforcement Length: 8.0mm (.315")  
 Width: (N + 1) 0.50mm  
 Span: (N - 1) 0.50mm  
 Margin: 0.35mm (.014")  
 Conductor Width: 0.30mm (.012")  
 Conductor Thickness: 0.10mm (.004")  
 End Thickness: 0.30 ± 0.05mm (.012 ± .002")  
 Temperature: -40 to +105°C

**Type A Jumpers—Contacts on same side (Preferred version in Europe)**

Circuits	Order No.											Lead-free
	Overall Length											
	30mm (1.181")	5 mm (2.00")	76mm (3.00")	102mm (4.00")	127mm (5.00")	152mm (6.00")	178mm (7.00")	203mm (8.00")	229mm (9.00")	254mm (10.00")	305mm (12.00")	
6	98266-0051	98266-0053	98266-0055	98266-0057	98266-0059	98266-0061	98266-0063	98266-0065	98266-0067	98266-0069	98266-0071	
7	98266-0745	98266-0747	98266-0749	98266-0751	98266-0753	98266-0755	98266-0757	98266-0759	98266-0761	98266-0763	98266-0765	
8	98266-0073	98266-0075	98266-0077	98266-0079	98266-0081	98266-0083	98266-0085	98266-0087	98266-0089	98266-0091	98266-0093	
9	98266-0767	98266-0769	98266-0771	98266-0773	98266-0775	98266-0777	98266-0779	98266-0781	98266-0783	98266-0785	98266-0787	
10	98266-0095	98266-0097	98266-0099	98266-0101	98266-0103	98266-0105	98266-0107	98266-0109	98266-0111	98266-0113	98266-0115	
11	98266-0789	98266-0791	98266-0793	98266-0795	98266-0797	98266-0799	98266-0801	98266-0803	98266-0805	98266-0807	98266-0809	
12	98266-0117	98266-0119	98266-0121	98266-0123	98266-0125	98266-0127	98266-0129	98266-0131	98266-0133	98266-0135	98266-0137	
13	98266-0811	98266-0813	98266-0815	98266-0817	98266-0819	98266-0821	98266-0823	98266-0825	98266-0827	98266-0829	98266-0831	
14	98266-0139	98266-0141	98266-0143	98266-0145	98266-0147	98266-0149	98266-0151	98266-0153	98266-0155	98266-0157	98266-0159	
15	98266-0833	98266-0835	98266-0837	98266-0839	98266-0841	98266-0843	98266-0845	98266-0847	98266-0849	98266-0851	98266-0853	
16	98266-0161	98266-0163	98266-0165	98266-0167	98266-0169	98266-0171	98266-0173	98266-0175	98266-0177	98266-0179	98266-0181	
17	98266-0855	98266-0857	98266-0859	98266-0861	98266-0863	98266-0865	98266-0867	98266-0869	98266-0871	98266-0873	98266-0875	
18	98266-0183	98266-0185	98266-0187	98266-0189	98266-0191	98266-0193	98266-0195	98266-0197	98266-0199	98266-0201	98266-0203	
19	98266-0877	98266-0879	98266-0881	98266-0883	98266-0885	98266-0887	98266-0889	98266-0891	98266-0893	98266-0895	98266-0897	
20	98266-0205	98266-0207	98266-0209	98266-0211	98266-0213	98266-0215	98266-0217	98266-0219	98266-0221	98266-0223	98266-0225	
21	98266-0899	98266-0901	98266-0903	98266-0905	98266-0907	98266-0909	98266-0911	98266-0913	98266-0915	98266-0917	98266-0919	
22	98266-0227	98266-0229	98266-0231	98266-0233	98266-0235	98266-0237	98266-0239	98266-0241	98266-0243	98266-0245	98266-0247	
23	98266-0921	98266-0923	98266-0925	98266-0927	98266-0929	98266-0931	98266-0933	98266-0935	98266-0937	98266-0939	98266-0941	
24	98266-0249	98266-0251	98266-0253	98266-0255	98266-0257	98266-0259	98266-0261	98266-0263	98266-0265	98266-0267	98266-0269	
25	98266-0943	98266-0945	98266-0947	98266-0949	98266-0951	98266-0953	98266-0955	98266-0957	98266-0959	98266-0961	98266-0963	
26	98266-0271	98266-0273	98266-0275	98266-0277	98266-0279	98266-0281	98266-0283	98266-0285	98266-0287	98266-0289	98266-0291	
27	98266-0965	98266-0967	98266-0969	98266-0971	98266-0973	98266-0975	98266-0977	98266-0979	98266-0981	98266-0983	98266-0985	
28	98266-0293	98266-0295	98266-0297	98266-0299	98266-0301	98266-0303	98266-0305	98266-0307	98266-0309	98266-0311	98266-0313	Yes
29	98266-0987	98266-0989	98266-0991	98266-0993	98266-0995	98266-0997	98266-0999	98266-1001	98266-1003	98266-1005	98266-1007	
30	98266-0315	98266-0317	98266-0319	98266-0321	98266-0323	98266-0325	98266-0327	98266-0329	98266-0331	98266-0333	98266-0335	
31	98266-1009	98266-1011	98266-1013	98266-1015	98266-1017	98266-1019	98266-1021	98266-1023	98266-1025	98266-1027	98266-1029	
32	98266-0337	98266-0339	98266-0341	98266-0343	98266-0345	98266-0347	98266-0349	98266-0351	98266-0353	98266-0355	98266-0357	
33	98266-1031	98266-1033	98266-1035	98266-1037	98266-1039	98266-1041	98266-1043	98266-1045	98266-1047	98266-1049	98266-1051	
34	98266-0359	98266-0361	98266-0363	98266-0365	98266-0367	98266-0369	98266-0371	98266-0373	98266-0375	98266-0377	98266-0379	
35	98266-1053	98266-1055	98266-1057	98266-1059	98266-1061	98266-1063	98266-1065	98266-1067	98266-1069	98266-1071	98266-1073	
36	98266-0381	98266-0383	98266-0385	98266-0387	98266-0389	98266-0391	98266-0393	98266-0395	98266-0397	98266-0399	98266-0401	
37	98266-1075	98266-1077	98266-1079	98266-1081	98266-1083	98266-1085	98266-1087	98266-1089	98266-1091	98266-1093	98266-1095	
38	98266-0403	98266-0405	98266-0407	98266-0409	98266-0411	98266-0413	98266-0415	98266-0417	98266-0419	98266-0421	98266-0423	
39	98266-1097	98266-1099	98266-1101	98266-1103	98266-1105	98266-1107	98266-1109	98266-1111	98266-1113	98266-1115	98266-1117	
40	98266-0425	98266-0427	98266-0429	98266-0431	98266-0433	98266-0435	98266-0437	98266-0439	98266-0441	98266-0443	98266-0445	
41	98266-1119	98266-1121	98266-1123	98266-1125	98266-1127	98266-1129	98266-1131	98266-1133	98266-1135	98266-1137	98266-1139	
42	98266-0447	98266-0449	98266-0451	98266-0453	98266-0455	98266-0457	98266-0459	98266-0461	98266-0463	98266-0465	98266-0467	
43	98266-1141	98266-1143	98266-1145	98266-1147	98266-1149	98266-1151	98266-1153	98266-1155	98266-1157	98266-1159	98266-1161	
44	98266-0469	98266-0471	98266-0473	98266-0475	98266-0477	98266-0479	98266-0481	98266-0483	98266-0485	98266-0487	98266-0489	
45	98266-1163	98266-1165	98266-1167	98266-1169	98266-1171	98266-1173	98266-1175	98266-1177	98266-1179	98266-1181	98266-1183	
46	98266-0491	98266-0493	98266-0495	98266-0497	98266-0499	98266-0501	98266-0503	98266-0505	98266-0507	98266-0509	98266-0511	
47	98266-1185	98266-1187	98266-1189	98266-1191	98266-1193	98266-1195	98266-1197	98266-1199	98266-1201	98266-1203	98266-1205	
48	98266-0513	98266-0515	98266-0517	98266-0519	98266-0521	98266-0523	98266-0525	98266-0527	98266-0529	98266-0531	98266-0533	
49	98266-1207	98266-1209	98266-1211	98266-1213	98266-1215	98266-1217	98266-1219	98266-1221	98266-1223	98266-1225	98266-1227	
50	98266-0535	98266-0537	98266-0539	98266-0541	98266-0543	98266-0545	98266-0547	98266-0549	98266-0551	98266-0553	98266-0555	