



GSP 2 M20 schwarz/black

Industrial Connectors:Rectangular connectors GDM-series:Type AEN 175301-803 (DIN 43650) / ISO 4400:Appliance connector

Delivery informations

Availability available
Document created at 18.06.2008

Product description

Description appliance connector with thread, appliance connector, threaded sleeve, grip ring, o-ring (NBR)

Type GSP 2 M20 schwarz/black

Order No. 931 298-006

Number of contacts 2 + PE

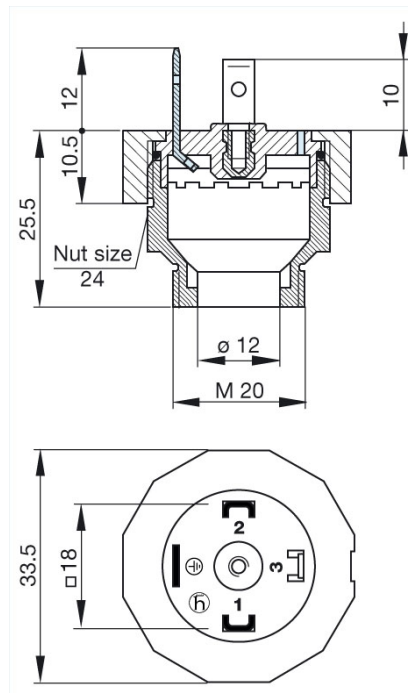
Cable gland M 20

Standard DIN EN 175 301-803-A

Housing Color black

Construction type A

Drawing



Technical data

Rated voltage AC/DC 400 V

Rated current 16 A

Contact resistance ≤ 4 mOhm

Type of termination solder

Mounting	screw
Material	
Contact surface material	Sn
Contact bearer material	PA
Housing material	PA
Environmental conditions	
Protection class (IEC 60529)	IP 65 (gasket necessary) (mated)
Pollution severity	3
Temperature range	-40 °C to +125 °C
Inflammability class	
Contact bearer	94 HB
Approvals	
VDE	VDE
SEV	SEV
Packing unit	
Packaging unit	200 pieces