



GSN 20 schwarz/black

Industrial Connectors:Rectangular connectors GDM-series:Type B EN 175301-803 (DIN 43650) / ISO 6952:Appliance connector

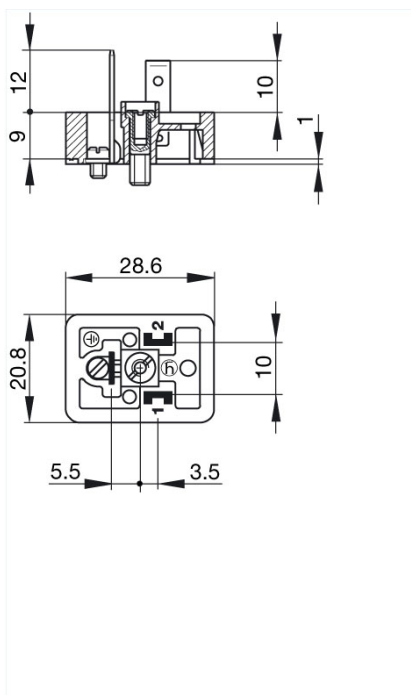
Delivery informations

Availability	available
Document created at	18.06.2008

Product description

Description	appliance connector with, central screws (hollow), 1 screw M 3 x 4
Type	GSN 20 schwarz/black
Order No.	932 421-100
Number of contacts	2 + PE
Standard	DIN EN 175 301-803-B
Housing Color	black
Construction type	B

Drawing



Technical data

Rated voltage	AC/DC 250 V
Rated current	16 A
Contact resistance	≤ 4 mOhm
Type of termination	solder (ground contacts: screw)
Mounting	screw

Material

Contact surface material	Sn
--------------------------	----

Contact bearer material	PA
Housing material	PA
Environmental conditions	
Protection class (IEC 60529)	IP 65 (in plugged condition)
Pollution severity	3
Temperature range	-40 °C to +125 °C
Inflammability class	
Housing	94 V-1
Contact bearer	94 HB
Approvals	
UR	UR
VDE	VDE
SEV	SEV
Packing unit	
Packaging unit	50 pieces
Scope of delivery and accessories	
Accessories to order separately	(NBR) flat gasket GSN 20-3, Order No. 733 275-002; (EPDM) flat gasket GSN 20-6, Order No. 733 270-004