



- Heatsink suitable for mounting Crydom three phase type solid state relays.
- Thermal resistance (DegC/W): 1.0
- DIN Rail Mount - Suitable for TS-35 Din rail.

Important Note:

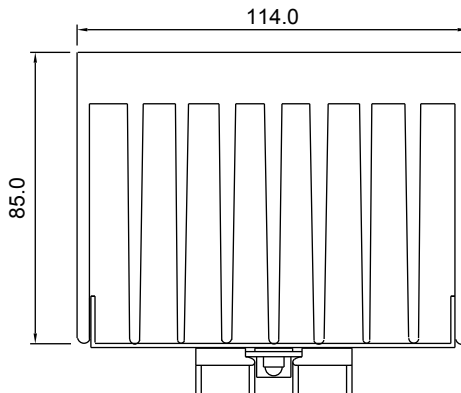
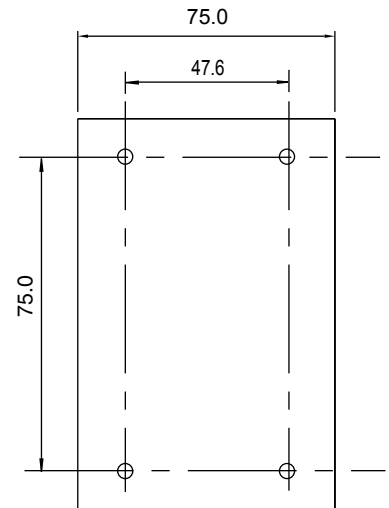
It is essential to ensure good contact between the heatsink and Crydom SSR - use Crydom Thermal pad TP03

OUTLINE DRAWING OF MS3 HEATSINK

Dimensions in mm

Consult Crydom Technical to ensure that the heatsink is suitably rated for a particular SSR.

Tolerances excluding SSR fixing holes = $\pm 1.0\text{mm}$
SSR fixing holes centres = $\pm 0.5\text{mm}$



The heatsink is supplied with four mounting screws - SEMS M5 x12mm

For recommended applications and more information contact:

USA: Sales Support (877) 502-5500 Tech Support (877) 702-7700 FAX (619) 710-8540
Crydom Corp, 2320 Paseo de las Americas, Ste. 201, San Diego, CA 92154

Email: sales@crydom.com WEB SITE: <http://www.crydom.com>

UK: +44 (0)1202 365070 FAX +44 (0)1202 365090 Crydom International Ltd., 7 Cobham Road, Ferndown Industrial Estate, Ferndown, Dorset BH21 7PE, Email: intsales@crydom.com.

GERMANY: +49 (0)180 3000 506